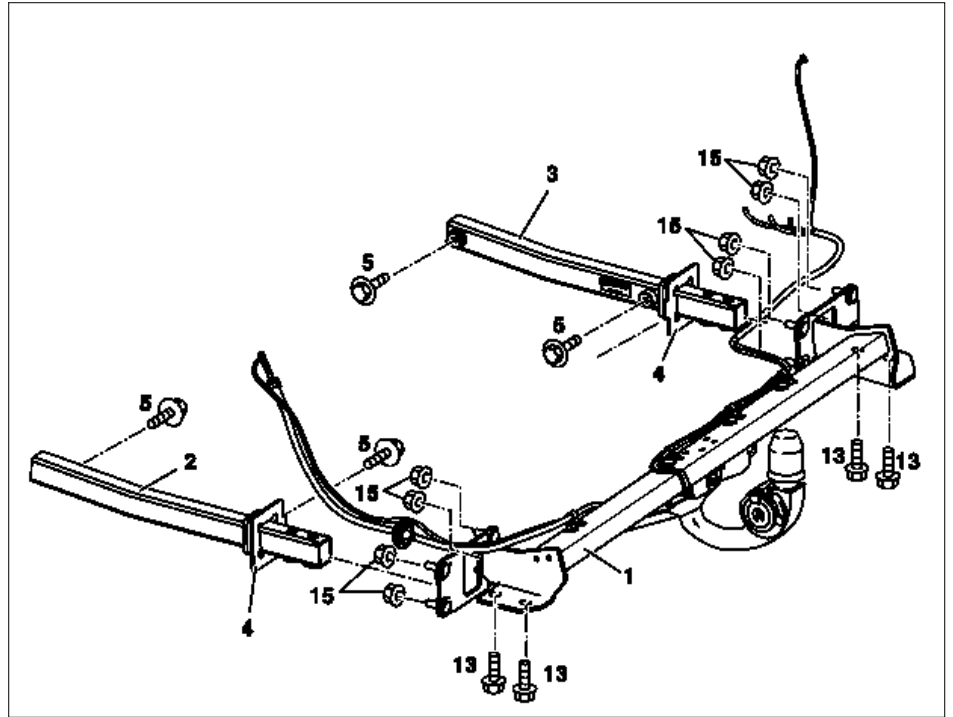


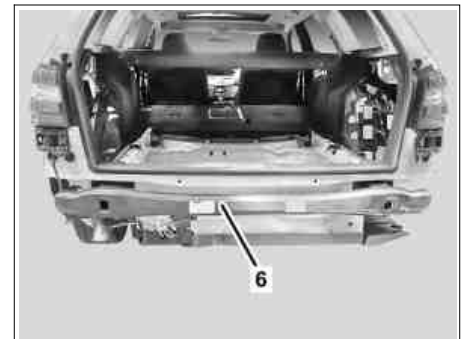
**MODEL** 212.2## (except 212.274/275/276/277/292/298) 1#  
 without CODE 460 (Canada version)  
 without CODE 494 (US version)  
 without CODE 498 (Japanese version)  
 without CODE 770 (AMG 7 double-spoke design)  
 without CODE 871 (Sensor system for trunk lid opening/closing)  
 without CODE R17 (48.3 cm (19-inch) 5-twin-spoke light-alloy wheels)

- 1 Cross member of trailer hitch
- 2 Longitudinal member reinforcement, left
- 3 Longitudinal member reinforcement, right
- 4 Seal
- 5 Bolt with washer (M10 B25)
- 13 Bolt (M12 B1.5B35)
- 15 Nuts (M10)











P31.10-3252-06

- 6 Crossmember



P31.11-2305-01

☒	<b>Remove</b>		
⚠ <b>Danger !</b>	<b>Risk of death</b> caused by vehicle slipping or toppling off of the lifting platform.	Align vehicle between vehicle lift columns and position the four support plates at the vehicle lift support points specified by vehicle manufacturer.	AS00.00-Z-0010-01A
i	Notes on installing a trailer hitch		AH31.10-P-1000-02CW
i	Notes on EU type approval requirements		AH31.10-P-1000-03T
1 ☞ OF	Print out the document "Trailer hitch, certificate" Trailer hitch certificate	Valid only for EU member countries.	OF31.10-P-1000-01DS

		<p><b>i</b> Print out the document "Trailer hitch, certificate" and submit for the installation acceptance. For do-it-yourself installation, print out the detailed installation instructions and give to the customer.</p>	
2 	Remove trim in cargo area	<p><b>i</b> Check in the EPC whether the interior trim installed in accordance with the vehicle equipment has to be replaced.</p>	AR68.30-P-1180ES
3 	Remove rear SAM control module with fuse and relay module	<p><b>i</b> Check in the EPC if the rear SAM control unit with fuse and relay module installed in accordance with the vehicle equipment can be used for the retrofitting of the trailer hitch (AHV). If necessary, remove the rear SAM control unit with fuse and relay module and replace it with one that is compatible with the trailer hitch. If the rear SAM control unit with fuse and relay module does not need to be replaced, just detach it and put aside.</p>	AR54.21-P-1258EW
4 	Remove rear bumper		AR88.20-P-2200EW
5	Remove heat shield	<p><b>i</b> Left on a single-pipe exhaust system. Left and right on a twin-pipe exhaust system.</p>	
6	Remove exhaust rubber bushings on rear muffler	<p><b>i</b> Left on a single-pipe exhaust system. Left and right on a twin-pipe exhaust system.</p>	
7	Remove crossmember (6)	<p><b>i</b> The crossmember (6) is no longer required.</p>	
8	Check electric fan for compatibility, replace if necessary	<p><b>i</b> Check in the EPC if the electric fan installed in accordance with the vehicle equipment can be used for the retrofitting of the trailer hitch (AHV). If necessary, remove the electric fan and replace it with one that is compatible with the trailer hitch.</p>	
	<b>Install</b>		
9	Retrofit mechanical detachable parts	<p><b>Nm</b> Bolt, trailer hitch to longitudinal member reinforcement</p> <p><b>Nm</b> Nut, trailer hitch to rear center panel</p> <p><b>Nm</b> Bolt, longitudinal member reinforcement to frame side member</p>	<p>AN31.11-P-8080-05ES</p> <p>*BA31.11-P-1001-01J</p> <p>*BA31.11-P-1002-01J</p> <p>*BA31.11-P-1003-01J</p>
10	Retrofit trailer hitch control unit		AN31.19-P-8080-05ES
11	Retrofit trailer hitch wiring harness	<p> Ensure that the wiring harnesses are not damaged by pinching or crushing. Otherwise the corresponding wiring harness must be replaced.</p> <p> Wiring harness repair kit, basic</p> <p> New passenger car wiring harness repair kit</p>	<p>AN31.19-P-8100-05ES</p> <p>*000589139900</p> <p>*220589049900</p>
12	Retrofit release lever		AN31.11-P-8080-06ES
 <b>Danger !</b>	<b>Risk of explosion</b> caused by paint vapors igniting. <b>Risk of poisoning</b> caused by inhaling paint vapors.	<p>No smoking! No open fire! Use respiratory protection, protective clothing, gloves, safety glasses and skin cream. Ensure that the area is well ventilated.</p> <p>With CODE 950 (AMG sport package)</p> <p><b>i</b> Use only paint and paint system approved by Daimler AG. The Daimler AG painting specifications must be observed.</p> <p><b>i</b> Check with the customer whether the rear lower section of the bumper is to be painted or not. Where applicable, do not perform this step.</p>	AS98.00-Z-0002-01A
13	Paint bumper on rear lower section		
14	Modify rear bumper	With CODE 950 (AMG sport package)	AN88.30-P-0007-01EX

15	Install remaining parts		
16	Enter special equipment in online vehicle data card via vehicle documentation system (VeDoc)	<b>i</b> <b>Add:</b> ● CODE 550 (Trailer hitch)	
17	Document retrofitted equipment in VeDoc	<b>i</b> Attach note "Trailer hitch retrofitted as per AN31.10-P-0001ES" under field organization texts for design group 31.	
18	Connect Star Diagnosis and select vehicle via the vehicle identification number (VIN)		AD00.00-P-2000-04A
19	Perform variant coding with XENTRY using the software calibration number (SCN)	<b>i</b> Variant coding must be carried out with XENTRY using the SCN for the following control unit: ● "Front SAM with fuse and relay module"	
20	Disconnect diagnostic system		
21	Perform function test of light signals at trailer hitch socket		AN31.19-P-8100-06CW

**Nm** Trailer hitch mechanism

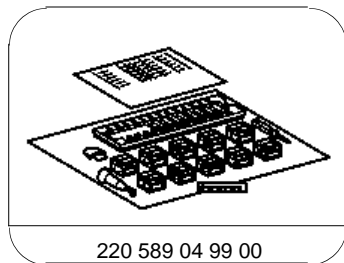
Number	Designation		MODEL 212
BA31.11-P-1003-01J	Bolt, longitudinal member reinforcement to frame side member	Nm	85

**Nm** Trailer hitch mechanism

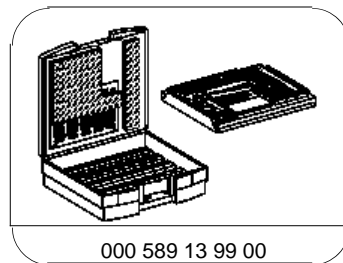
Number	Designation		MODEL 212
BA31.11-P-1001-01J	Bolt, trailer hitch to longitudinal member reinforcement	Nm	110

**Nm** Trailer hitch mechanism

Number	Designation		MODEL 212
BA31.11-P-1002-01J	Nut, trailer hitch to rear center panel	Nm	85



220 589 04 99 00  
New passenger car wiring harness repair kit



000 589 13 99 00  
Wiring harness repair kit, basic

**Parts ordering note**

Part no.	Designation	Quantity
KG 99 (siehe EPC)	Vehicles without code (489) AIRMATIC (air suspension with continuous adjustment damping)	1
	Trailer hitch package contents	
KG 99 (siehe EPC)	Vehicles with code (489) AIRMATIC (air suspension with continuous adjustment damping)	1
	Trailer hitch package contents	