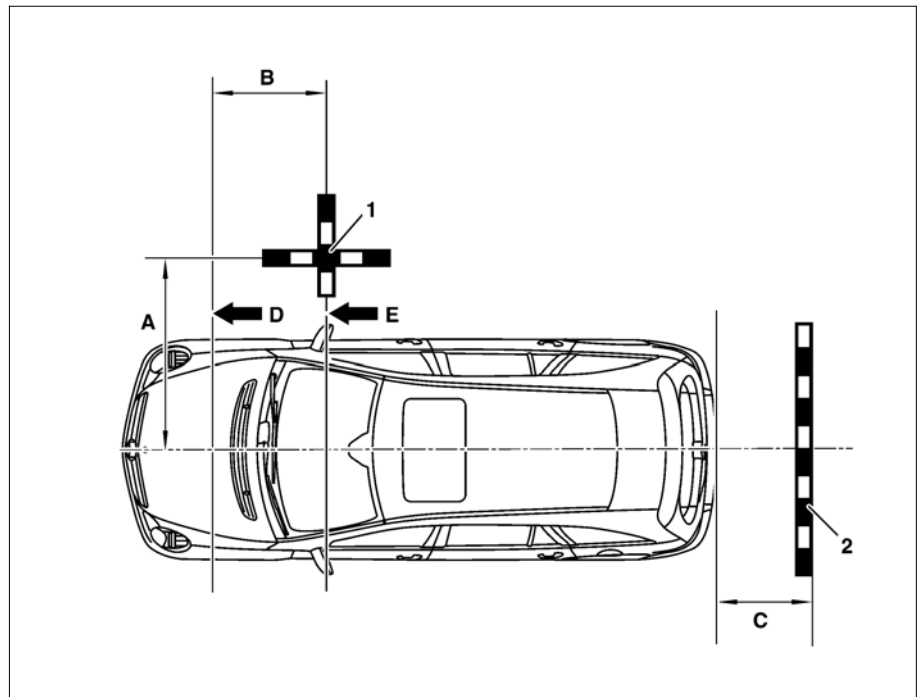


- MODEL 164**
with CODE 218 (Rear view camera)
with CODE 498 (Japanese version)
without CODE 849 (Spare wheel carrier)
- MODEL 207, 212**
up to model year 2014
with CODE 218 (Rear view camera)
with CODE 498 (Japanese version)
- MODEL 216.3, 221.0**
with CODE 218 (Rear view camera)
with CODE 498 (Japanese version)
- MODEL 218.3**
up to model year 2013
with CODE 218 (Rear view camera)
with CODE 498 (Japanese version)
- MODEL 221.1**
with CODE 218 (Rear view camera)
with CODE 498 (Japanese version)
- MODEL 251**
with CODE 218 (Rear view camera)
with CODE 498 (Japanese version)

Shown on model 251

- 1 Calibration template
2 Calibration template
A Dimension
B Dimension
C Dimension



P54.65-5515-06

i	Notes on calibration of reversing camera		AH54.65-P-0022-01SX
	Calibrate backup camera		
1	Drive the vehicle onto a level surface and place the front wheels in the straight-ahead position	i The suspension level must be on drive mode.	
2	Close trunk lid or liftgate		
3	Close front passenger door.		
4	Move front passenger mirror into drive mode.	MODEL 164 with CODE 218 (Rear view camera) with CODE 498 (Japanese version) without CODE 849 (Spare wheel carrier) MODEL 251 with CODE 218 (Rear view camera) with CODE 498 (Japanese version) When calibrating the front passenger outside mirror reversing camera.	

