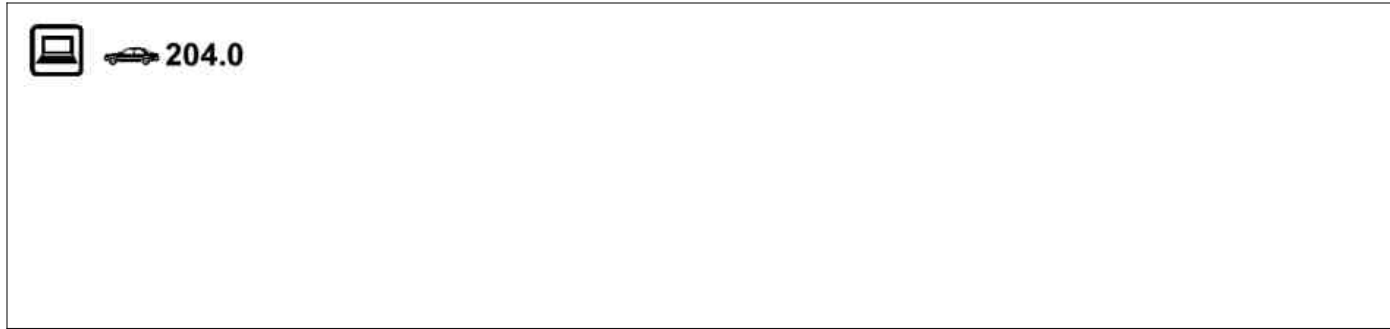


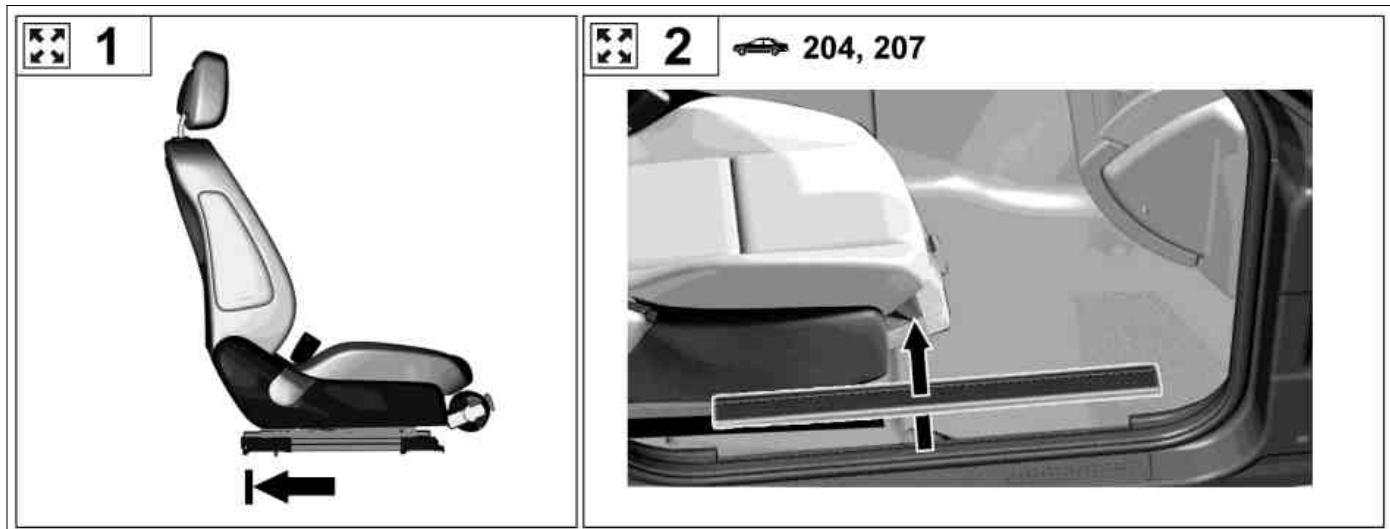
Modification notes

2.3.10	This document has been replaced by a document with an increased number of illustrations	
--------	---	--

OV		OV00.01-P-1901-07A
----	--	--------------------



P68.10-4255-07



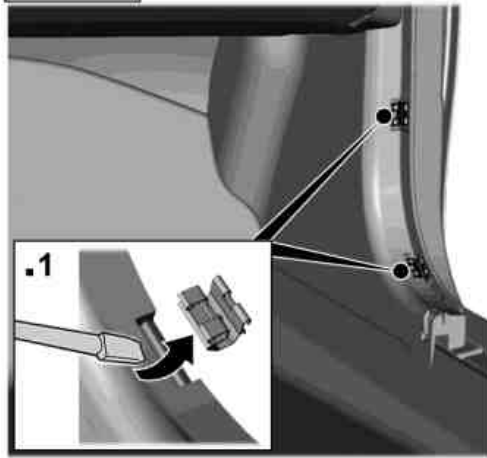
P68.10-4247-08



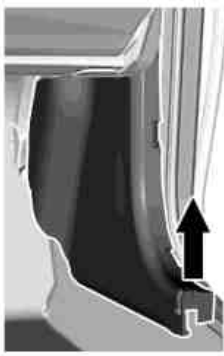
P68.10-4248-08

 4

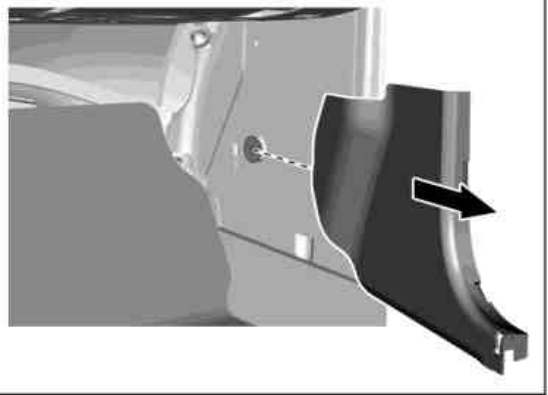
 204, 207



.2



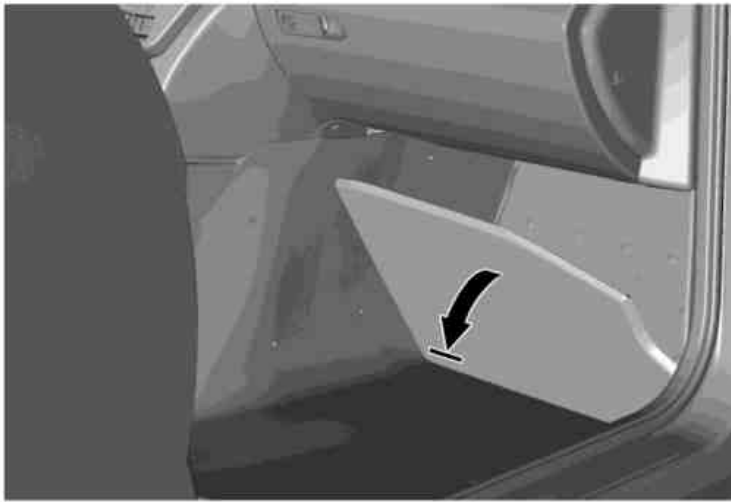
.3



P68.10-4249-08

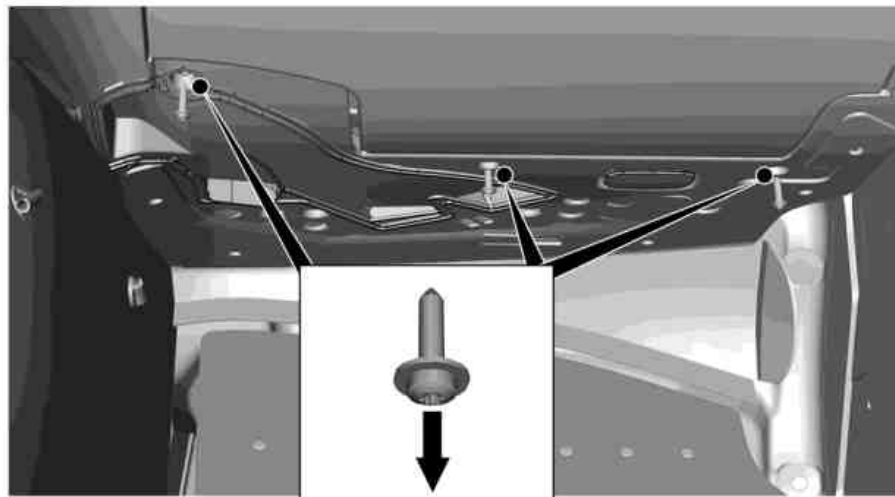
 5

 212



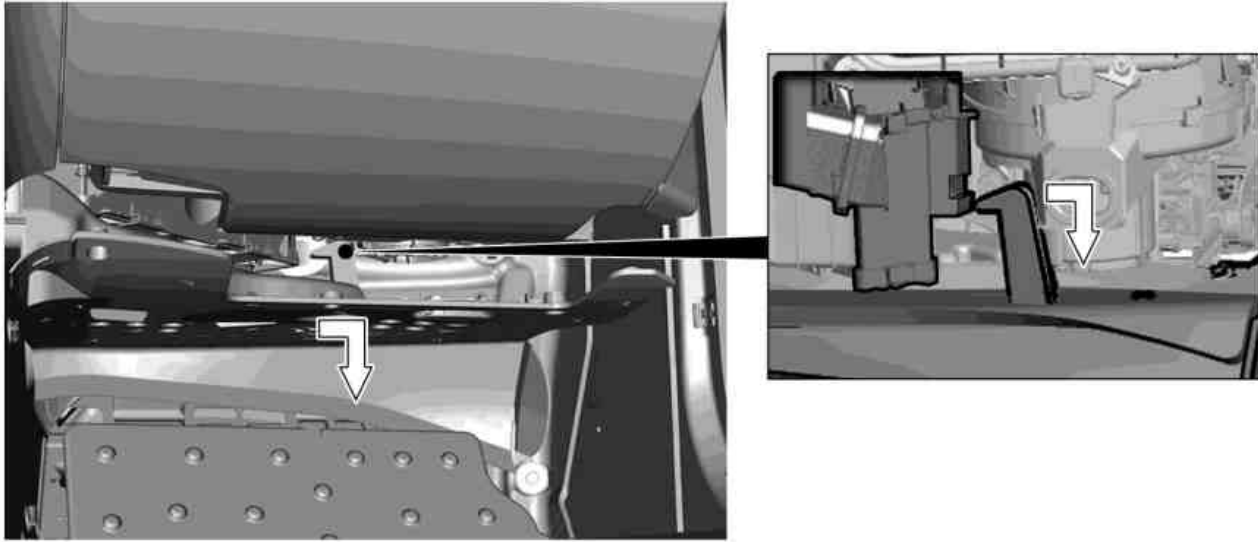
P68.10-4250-08

 6



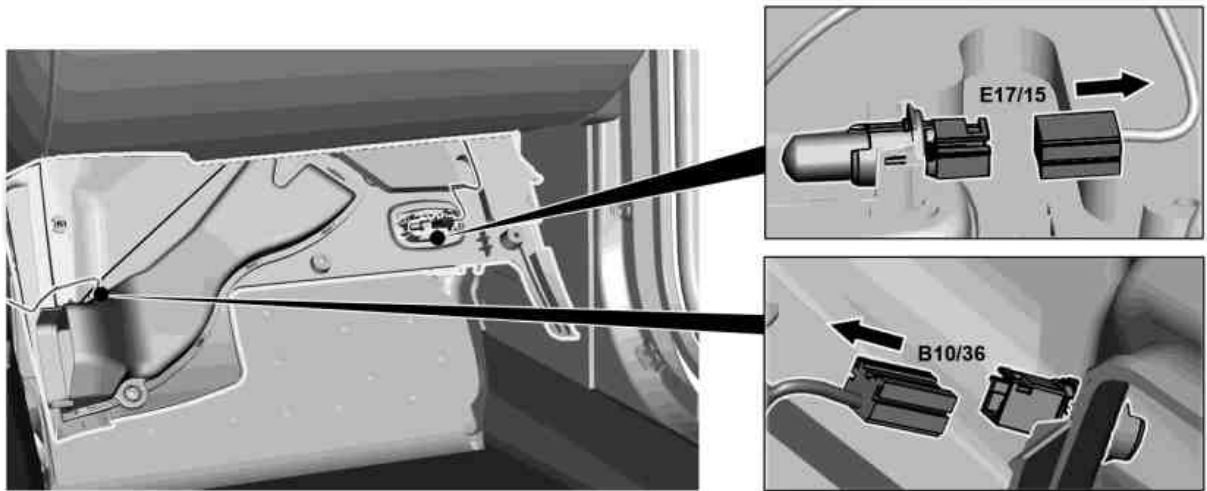
P68.10-4251-08

7



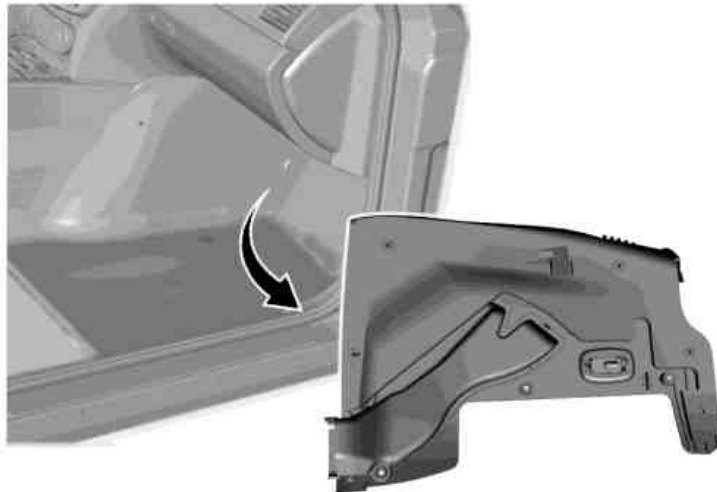
P68.10-4252-09

8



P68.10-4253-08

9



P68.10-4254-08