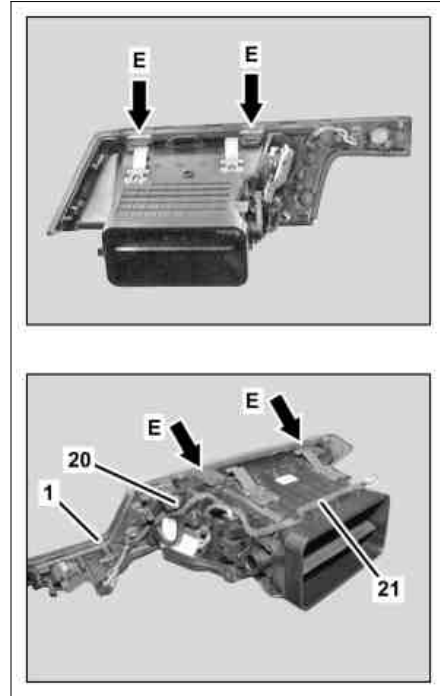


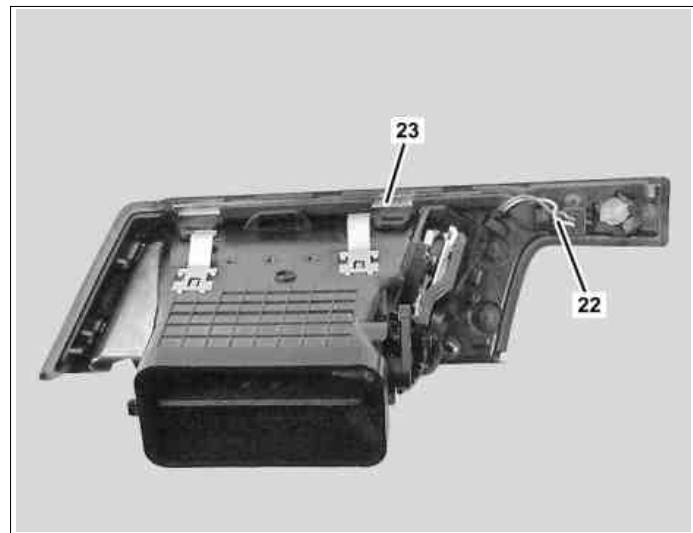
Removing

- 1 Loosen electrical wiring harness (21).
i Only on vehicles with code (877) Ambiance illumination
- 2 Unscrew bolt (20).
- 3 Unclip left air vent trim part (1) (arrows E) and remove.



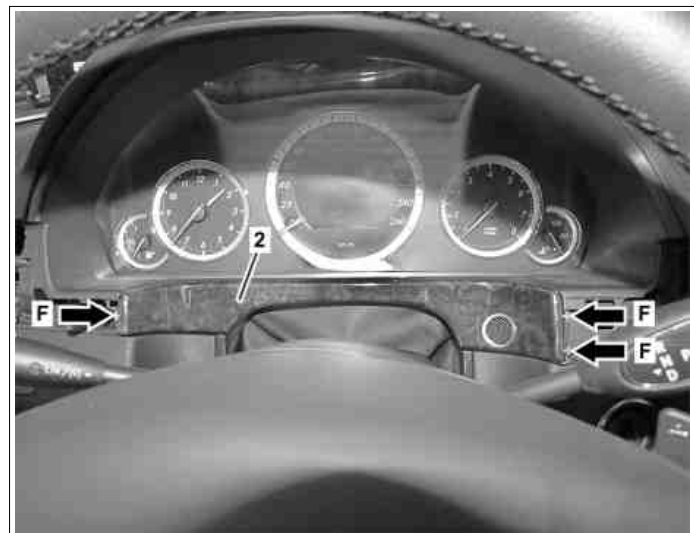
P68.30-3491-03

- 4 Loosen electrical wiring harness (22) and unclip fluorescent tube (23) on ambiance illumination.
* Due to the length of the fluorescent tube (23) it can break easily, therefore remove ambiance illumination carefully.
i Only on vehicles with code (877) Ambiance illumination



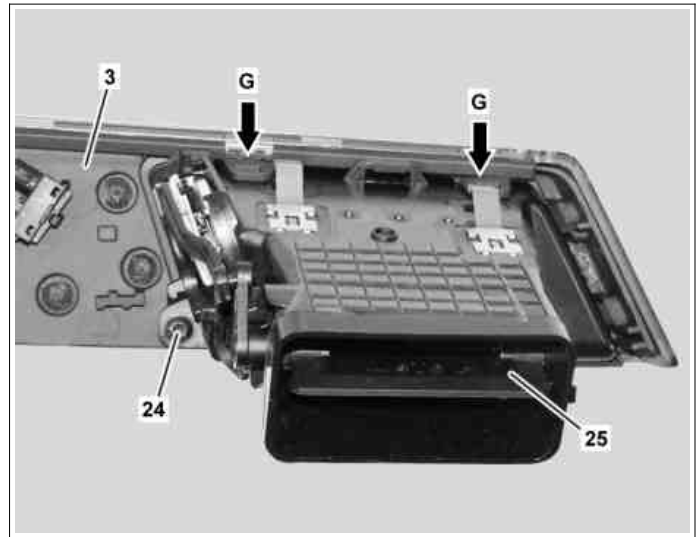
P68.30-3492-11

- 5 Unclip instrument cluster trim part (2) (arrows F) and remove.



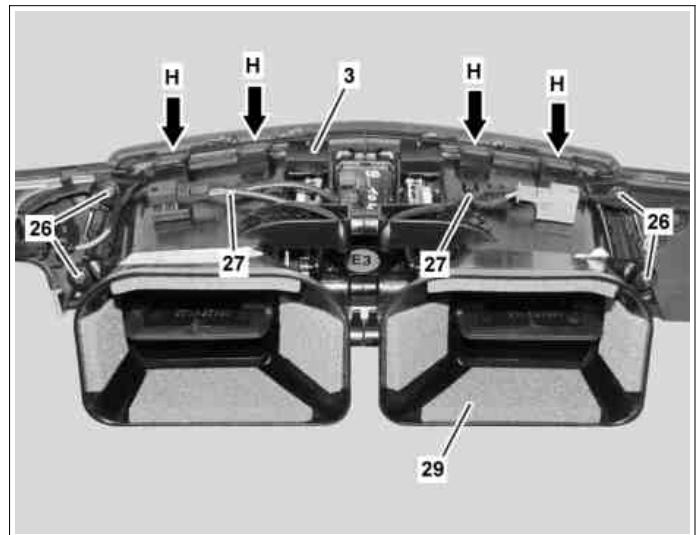
P68.30-3493-11

- 6 Unscrew bolt (24).
- 7 Unclip right air vent (25) and remove passenger-side trim part (3).



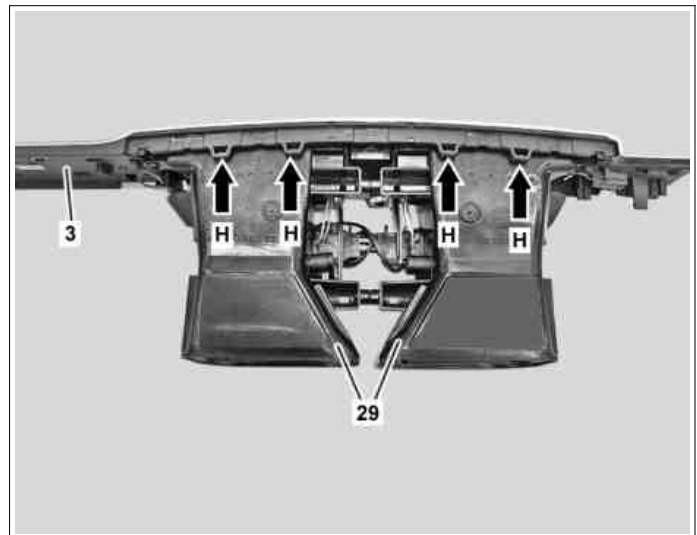
P68.30-3494-11

- 8 Unscrew bolts (26).
- 9 Loosen electrical wiring harnesses (27).
 Only on vehicles with code (877) Ambiance illumination
- 10 Unclip passenger side trim part (3) from top from center air vent (29) (arrows H).



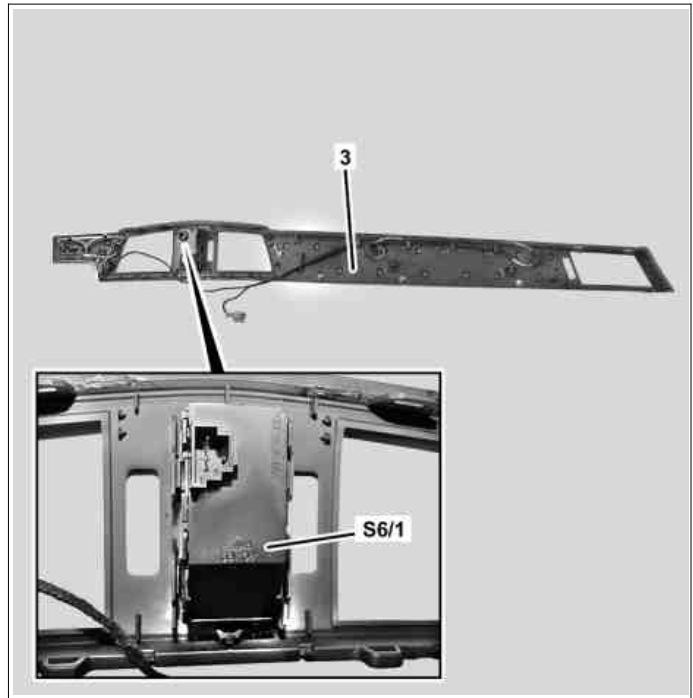
P68.30-3495-11

- 11 Unclip passenger side trim part (3) from bottom (arrows H) and remove center air vent (29).



P68.30-3499-11

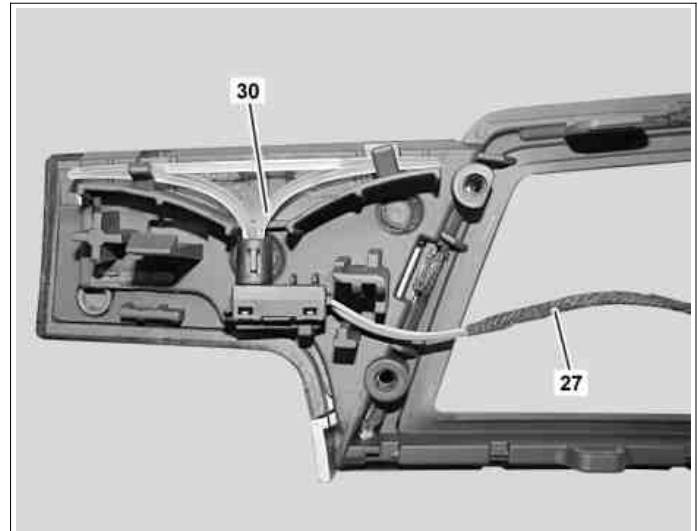
- 12 Unclip instrument panel switch group (S6/1) and remove passenger side trim part (3)



P68.30-3496-12

i Perform following steps on vehicles with code (877) Ambiance illumination.

- 13 Unclip electrical wiring harness (27).
- 14 Unclip fluorescent tube (30) on ambiance illumination and remove.



P68.30-3497-11

- 15 Unclip electrical wiring harness (27) and remove.
- 16 Unclip fluorescent tube (31) on ambiance illumination and remove.
⚠ Due to the length of the fluorescent tube (31) it can break easily, therefore remove ambiance illumination carefully

Install

i Install in reverse order. Replace corresponding trim parts with new parts.

