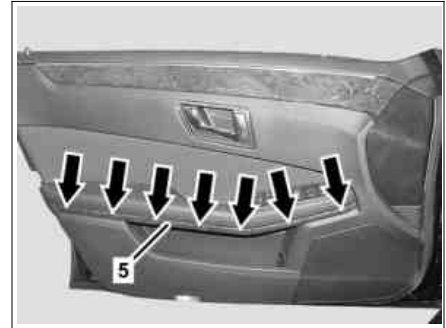


110 589 03 59 00

Mounting wedge

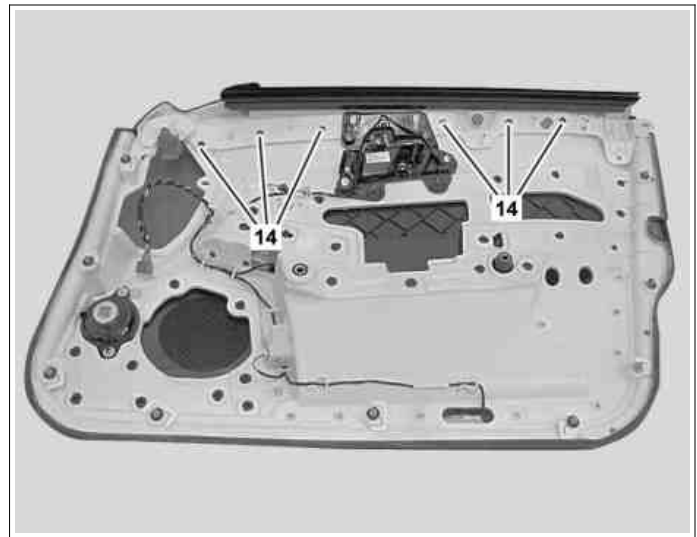
**i** The following steps are shown on the left side of the vehicle on model 212.0 Retrofit on the right side of vehicle on model 212.0 and model 212.2 is to performed analogously.

- 1 Unclip bottom front door trim part (5) starting at front (arrows) and remove toward rear.
- 2 Insert new bottom front door trim part (5) at rear and press on toward front and clip in (arrows).



P68.30-3477-01

- 3 Unscrew bolts (14).



P68.30-3480-11

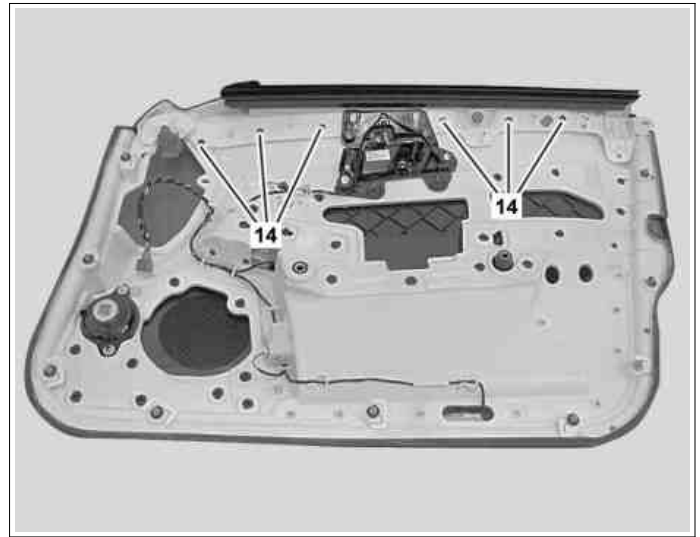
- 4 Remove upper front door trim part (4).
- 5 Center new upper front door trim part (4) and insert.

**i** The gap between the new upper front door trim part (4) and door lining must be uniform.



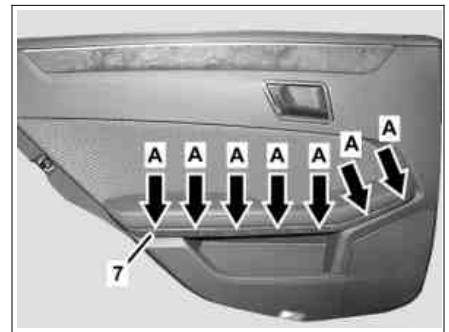
P68.30-3481-01

- 6 Tighten screws (14).



P68.30-3480-11

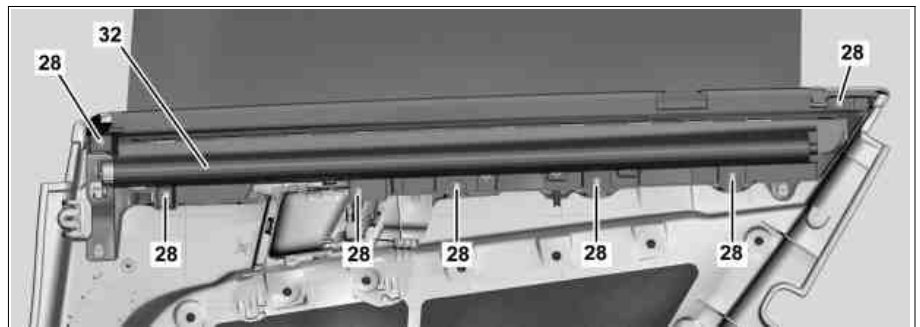
- 7 Unclip lower front door trim part (7) starting at front (arrows A) and remove toward rear.  
8 Insert new lower front door trim part (7) at rear and press on toward front and clip in (arrows A).



P68.30-3478-01

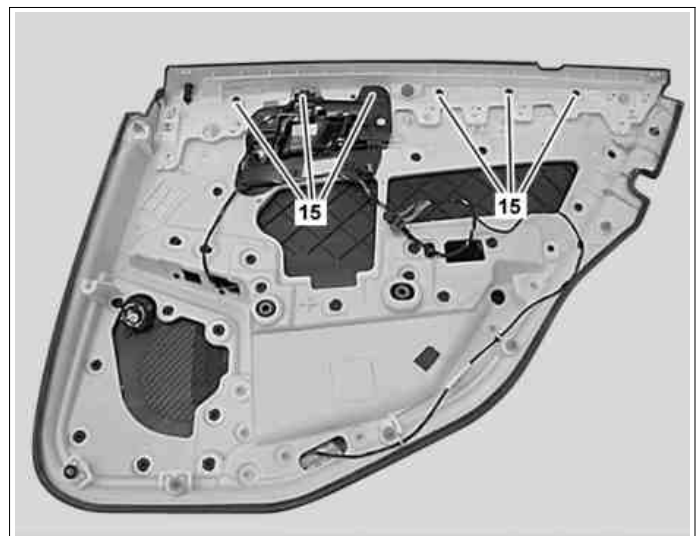
- 9 Unscrew bolts (28) and remove roller sun blind (32).

**i** Only on vehicles with code (297)  
Roller sun blinds in rear doors.



P68.30-3479-04

- 10 Unscrew bolts (15).



P68.30-3482-11

11 Remove upper rear door trim part (6).

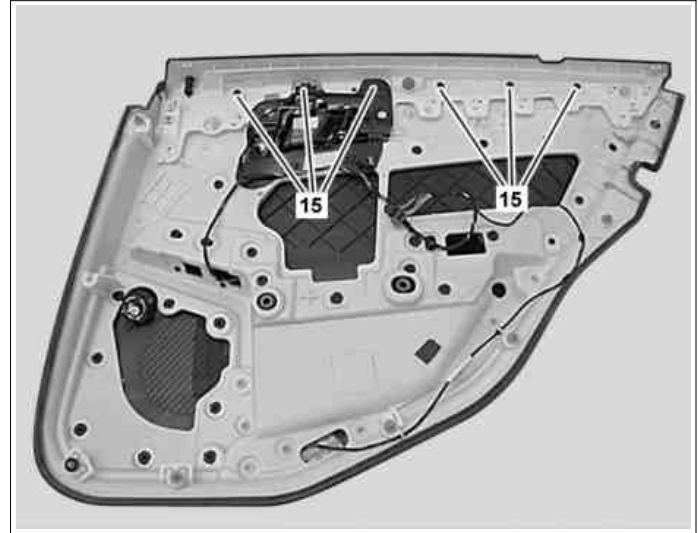
12 Center new upper rear door trim part (6) and insert.

**i** The gap between the new upper rear door trim part (6) and door lining must be uniform.



P68.30-3483-01

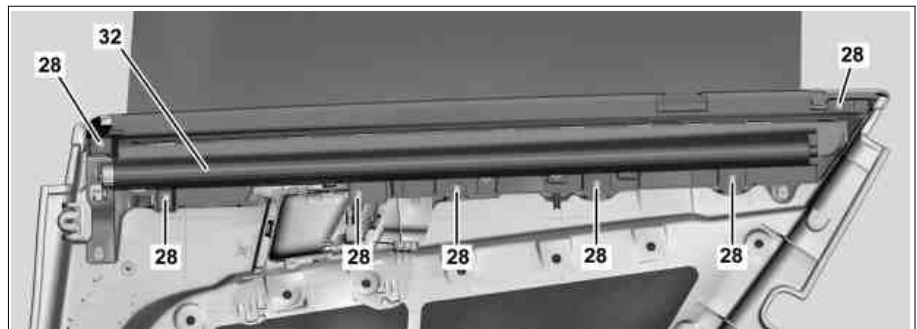
13 Tighten bolts (15)



P68.30-3482-11

14 Attach roller sun blind (32) and tighten with bolts (28).

**i** Only on vehicles with code (297)  
Roller sun blinds in rear doors.



P68.30-3479-04