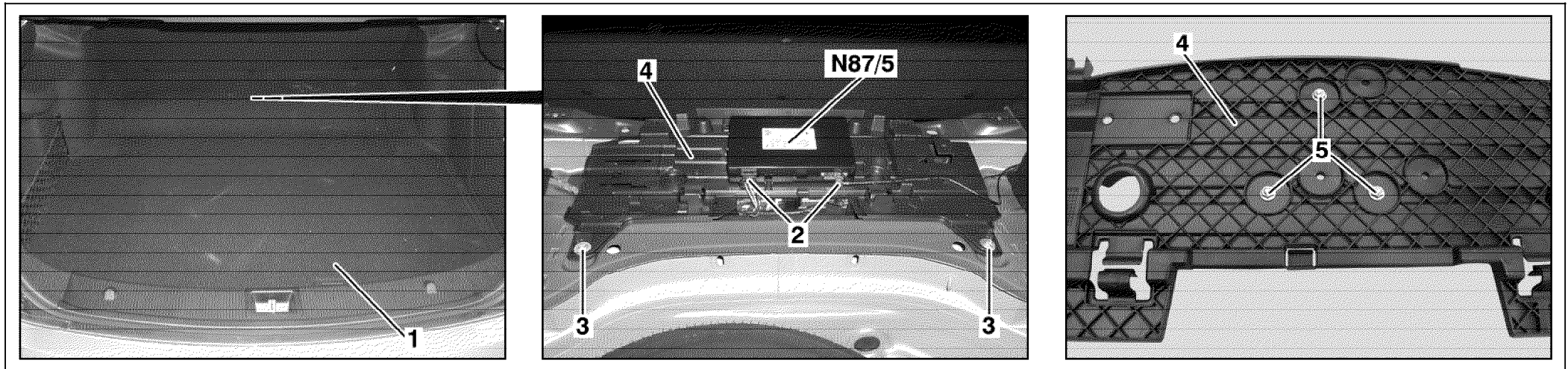


AR82.60-P-7545CW

Remove/install satellite radio control unit

27.5.09

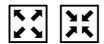
MODEL 204.0, 207*with CODE (494) USA version**with CODE (536) SIRIUS satellite radio*

P82.60-6452-07

- 1 Trunk floor paneling
- 2 Electrical connectors
- 3 Screws
- 4 Equipment bridge


5 Nut

N87/5 Satellite digital audio radio (SDAR) control unit



Remove/install



	Information on preventing damage to electronic components due to electrostatic discharge		AH54.00-P-0001-01A
1	Remove trunk floor paneling (1)	On model 204.0 On model 207.3	AR68.30-P-4600CW AR68.30-P-4600EC
2	Remove underbody flap		
3	Separate electrical connectors (2)		
4	Remove bolts (3) and remove equipment bridge (4)		
5	Turn equipment bridge (4) over and unscrew nut (5)		
6	Remove satellite digital audio radio (SDAR) control unit (N87/5)		
7	Install in the reverse order		