

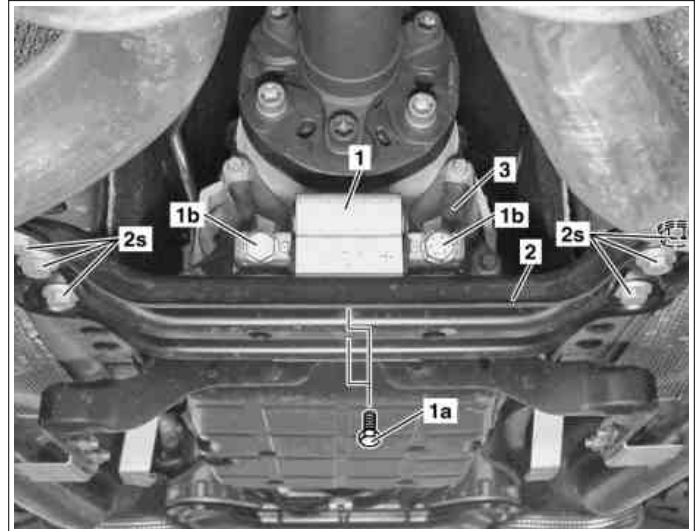
ENGINES 271, 272, 642, 646, 651 in MODEL 204

ENGINES 271, 272, 273, 642, 651 in MODEL 207

ENGINES 271, 272, 273, 642, 651 in MODEL 212

## Shown on vehicle without 4-MATIC

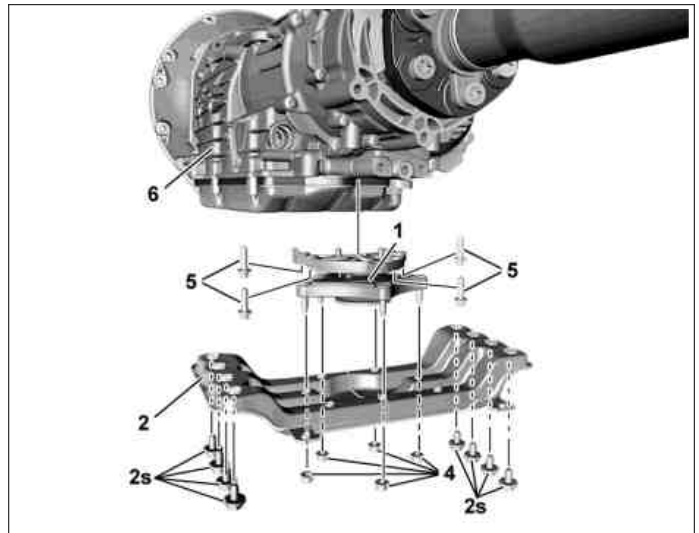
- 1 Rear engine mount
- 1a Screw
- 1b Screw
- 2 Engine crossmember
- 2s Bolts
- 3 Bracket



P22.10-2164-11

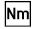


## Shown on vehicle with 4MATIC

- 1 Rear engine mount
- 2 Engine crossmember
- 2s Bolts
- 4 Nuts
- 5 Bolts
- 6 Transmission



P22.10-2309-11

	<b>Remove/install</b>		
<b>Danger!</b>	<b>Risk of death</b> caused by vehicle slipping or toppling off of the lifting platform.	Align vehicle between columns of vehicle lift and position four support plates at vehicle lift support points specified by vehicle manufacturer.	AS00.00-Z-0010-01A
	Notes on bolted connections with self tapping screws		AH00.00-P-0007-01SF
1.1	Remove both lower engine compartment panelings	Model 204.9	AR61.20-P-1105CY
1.2	Remove lower engine compartment paneling	Model 204.0/ 2 with gasoline engine Model 207, 212 with gasoline engine	AR61.20-P-1105EW
1.3	Remove lower bottom sections of soundproofing	Model 204.0/ 2 with diesel engine Model 207, 212 with diesel engine	AR94.30-P-5300EW
2.1	Remove bolts (1a) from rear engine mount (1)	Vehicles without 4MATIC 	*BA22.10-P-1004-03E
2.2	Unscrew nuts (4) of rear engine mount (1)	Vehicles with 4MATIC 	*BA22.10-P-1004-03E
3	Support transmission with transmission jack	Transmission plate for passenger cars and commercial vehicles <a href="https://www.mercedes-benz.com/gotis//A_25/35/49_02.0">gotis://A_25/35/49_02.0</a> Transmission jack 2,0-7,0 t <a href="https://www.mercedes-benz.com/gotis//H_00.10_01.0">gotis://H_00.10_01.0</a>	

4	Remove bolts (2s) and take off engine crossmember (2)		*BA22.10-P-1005-03E
5.1	Remove bolts (1b) from holder (3) and remove rear engine mount (1)	Vehicles without 4MATIC 	*BA22.10-P-1003-03E
5.2	Unscrew bolts (5) from transmission (6) and remove rear engine mount (1)	Vehicles with 4MATIC 	*BA22.10-P-1003-03E
6	Install in the reverse order		

 **Engine mount, engine support (engine side)**

Number	Designation		Model 204 except 4-MATIC	Model 204 4-MATIC	Model 207
BA22.10-P-1003-03E	Bolt connecting rear engine mount to bracket or transmission	Nm	50	28	50
BA22.10-P-1004-03E	Rear engine mount on engine support	Nm	28	28	28
BA22.10-P-1005-03E	Bolt, rear engine support to frame floor assembly	Nm	50	50	50

 **Engine mount, engine support (engine side)**

Number	Designation		Model 212 except 4-MATIC	Model 212 4-MATIC
BA22.10-P-1003-03E	Bolt connecting rear engine mount to bracket or transmission	Nm	50	28
BA22.10-P-1004-03E	Rear engine mount on engine support	Nm	28	28
BA22.10-P-1005-03E	Bolt, rear engine support to frame floor assembly	Nm	50	50