



- Model 204.0/2/9**
with code 293 (Sidebags in rear)
- Model 212.0/1**
with code 293 (Sidebags in rear)
with code 298 (Rear sidebag with belt force limiter)
- Model 212.2, 218**
with code 298 (Rear sidebag with belt force limiter)

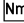

Shown on model 204.0 with code 287
(Foldable rear seat backrests)

- 2 Side paneling
7 Nut
8 Electrical connector
9 Sidebag unit



P91.60-3943-06

 Warning	Risk of injury during testing and repair operations related to pyrotechnical components	Do not expose pyrotechnical component parts to temperatures above 100 °C or 212 °F. Disconnect current supply when working on such component parts.	AS91.00-Z-0008-01A
	Notes on self-locking nuts and bolts		AH00.00-N-0001-01A
	Information on preventing damage to electronic components due to electrostatic discharge		AH54.00-P-0001-01A
	Information, assessment and legal requirements when working with, handling and storing pyrotechnical components		AH91.00-Z-0000-10A
	Remove/install		
1	Switch off ignition and store transmitter key outside of transmission range (min. 2 m)		
2	Disconnect battery ground line	Model 204.0/2/9 with code 293 (Sidebags in rear) Model 212.0/1 with code 293 (Sidebags in rear) with code 298 (Rear sidebag with belt force limiter) Model 212.2, 218 with code 298 (Rear sidebag with belt force limiter)	AR54.10-P-0003CW AR54.10-P-0003EW
3.1	Remove left or right seat trim (2) at rear	Model 204.0/2/9 with code 293 (Sidebags in rear) Model 212.0/1 with code 293 (Sidebags in rear) with code 298 (Rear sidebag with belt force limiter) Model 212.2, 218.3 with code 298 (Rear sidebag with belt force limiter)	

		Model 204.0/2/9 with code 293 (Sidebags in rear) Model 212.0/1 with code 293 (Sidebags in rear) with code 298 (Rear sidebag with belt force limiter)	AR68.30-P-4780CW
3.2	Remove left or right C-pillar cover	Model 218 with code 298 (Rear sidebag with belt force limiter) Model 218.9 with code 298 (Rear sidebag with belt force limiter) Model 218.3 with code 298 (Rear sidebag with belt force limiter)	AR68.30-P-4490ELX AR68.30-P-4490EL
4	Release and disconnect electrical connection (8) from sidebag unit (9)		
5	Unscrew nuts (7) and remove sidebag unit (9)	 Nut, rear sidebag unit to body	*BA91.60-P-1007-01M
6	Install in the reverse order		
	Check		
7	Check and erase vehicle fault memory using diagnostic system	When replacing sidebag unit (9).	AD00.00-P-2000-04A

 Airbag

Number	Designation		Model 204.0/2/9	Model 212
BA91.60-P-1007-01M	Nut, rear sidebag unit to body	Nm	6	8

 Airbag

Number	Designation		Model 218
BA91.60-P-1007-01M	Nut, rear sidebag unit to body	Nm	8