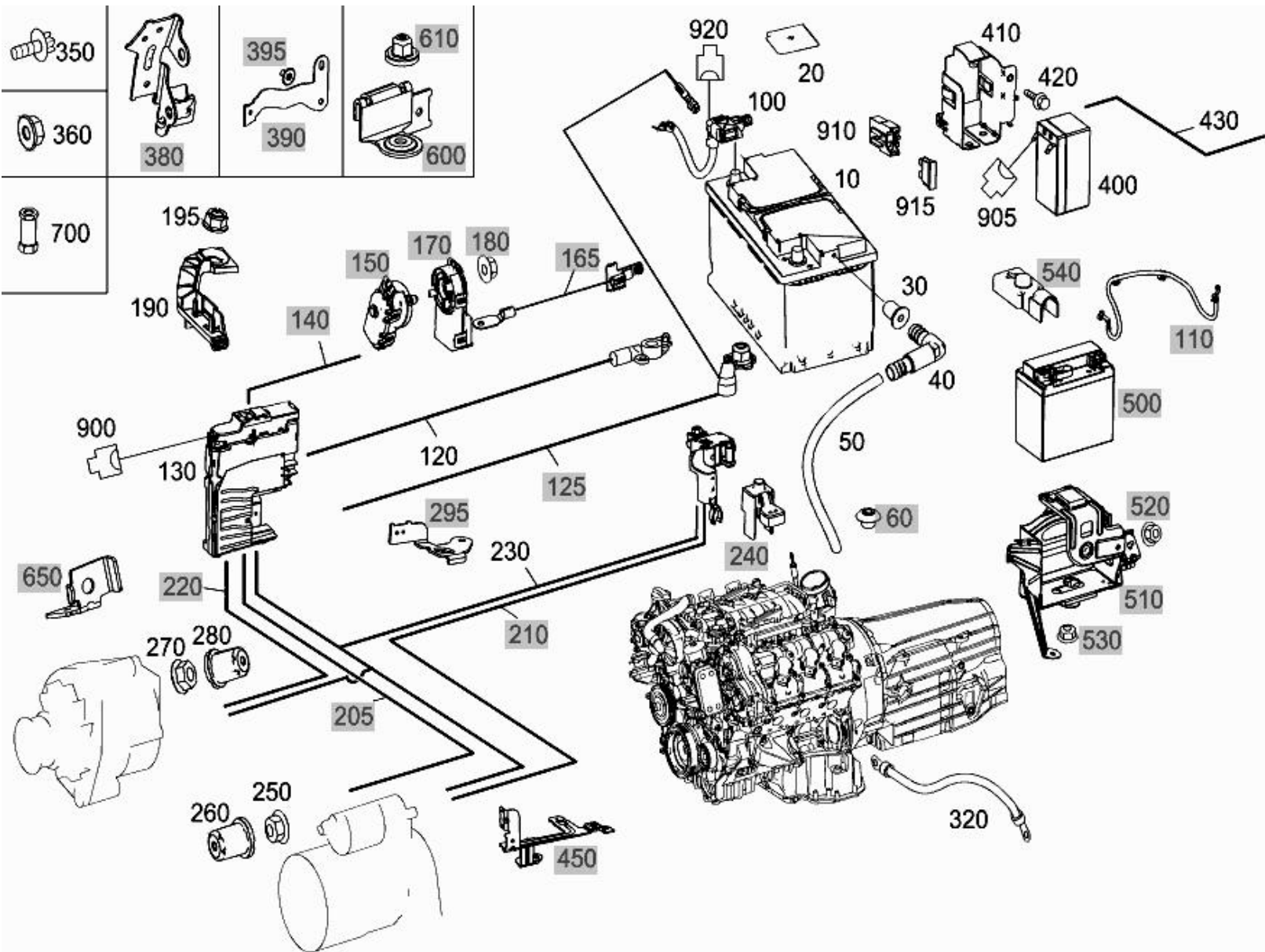


- Picture -

Mode	MD mode	Mod. des. overview	E SEDAN
FIN/MD	WDD 2120881A600278	Catalog	D04
VIN	WDDHF8JB2CA600278	Major assembly:	
Sales designation	E 350 4MATIC	Major assembly MD	
Assortment class	Car	Group	54 - ELECTRICAL EQUIPMENT AND INSTRUMENTS
Market	North America	Subgroup	030 - BATTERY,STARTER/ALTERNATOR CABLE
Picture number	B54030000499.140227		



- Parts list -

Mode	MD mode	Mod. des. overview	E SEDAN
FIN/MD	WDD 2120881A600278	Catalog	D04
VIN	WDDHF8JB2CA600278	Major assembly:	
Sales designation	E 350 4MATIC	Major assembly MD	
Assortment class	Car	Group	54 - ELECTRICAL EQUIPMENT AND INSTRUMENTS
Market	North America	Subgroup	030 - BATTERY,STARTER/ALTERNATOR CABLE

Item no.	Part number	Designation/description	Quantity	Version
10	A 000 982 21 08	STARTER BATTERY IN ENGINE COMPARTMENT 12V/80AH Code: -228-937-978-Z04+800+B03/...	001	
430	A 212 540 76 00	ELECTRICAL WIRING HARNESS BACKUP BATTERY TO REAR SAM	001	
430	A 212 540 77 00	ELECTRICAL WIRING HARNESS BACKUP BATTERY TO REAR SAM	001	