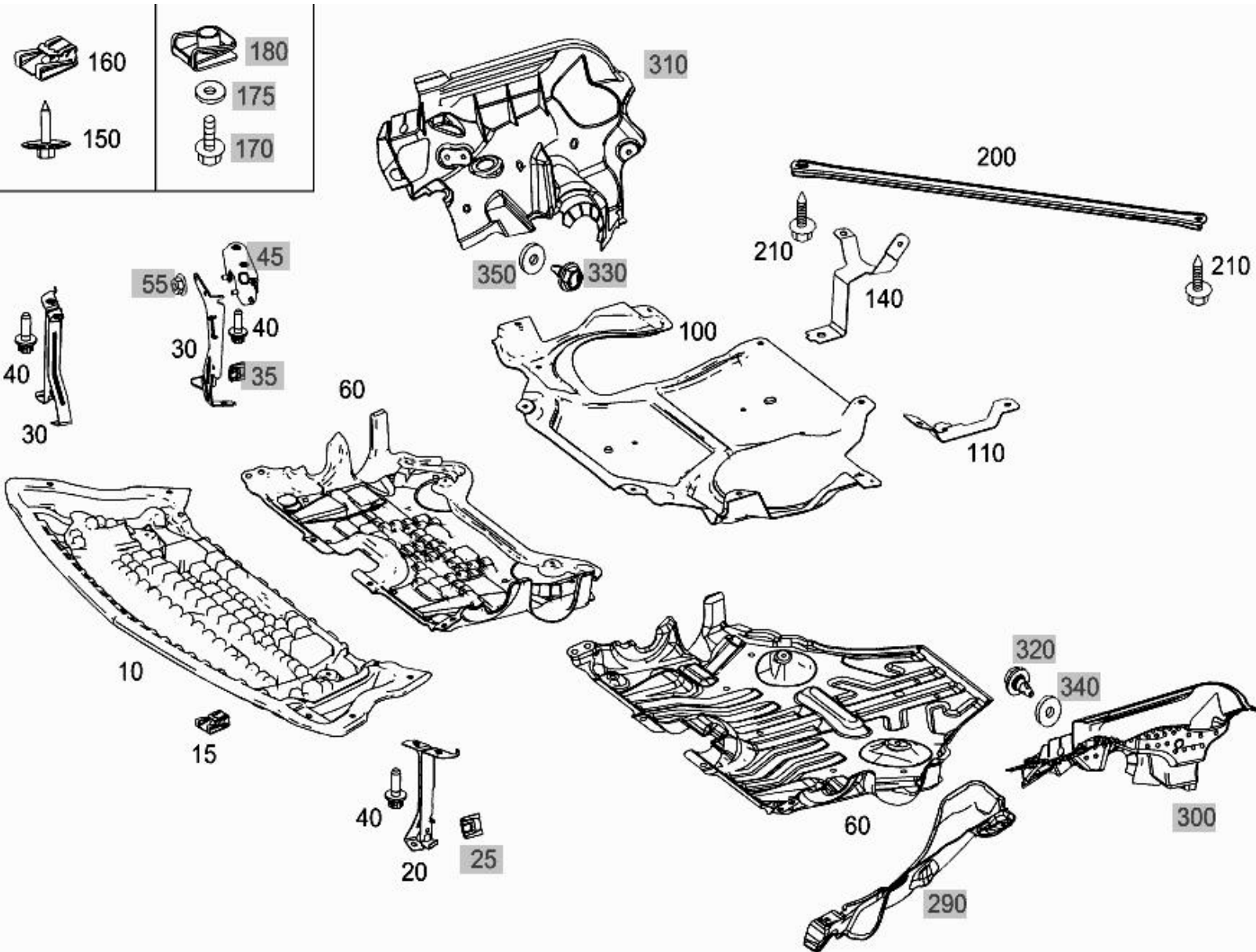


- Picture -

Mode	MD mode	Mod. des. overview	E SEDAN
FIN/MD	WDD 2120881A600278	Catalog	D04
VIN	WDDHF8JB2CA600278	Major assembly:	
Sales designation	E 350 4MATIC	Major assembly MD	
Assortment class	Car	Group	52 - CHASSIS SHEET METAL / AIR INTAKE
Market	North America	Subgroup	030 - ENGINE COMPARTMENT PANNELLING, GASOLINE VEHICLES
Picture number	B52030000467.111121		



- Parts list -

Mode	MD mode	Mod. des. overview	E SEDAN
FIN/MD	WDD 2120881A600278	Catalog	D04
VIN	WDDHF8JB2CA600278	Major assembly:	
Sales designation	E 350 4MATIC	Major assembly MD	
Assortment class	Car	Group	52 - CHASSIS SHEET METAL / AIR INTAKE
Market	North America	Subgroup	030 - ENGINE COMPARTMENT PANELLING, GASOLINE VEHICLES

Item no.	Part number	Designation/description	Quantity	Version
10	A 212 524 13 30	COVER FRONT Code: 772+800/772+801/772+802/7...	001	
15	A 004 994 31 45	. CLIP-TYPE NUT FRONT PANEL AT BUMPER 4,8	001	
20	A 204 524 13 40	BRACKET LEFT	001	
30	A 204 524 14 40	BRACKET RIGHT	001	
40	N 910143 006002	HEXALOBULAR BOLT BRACKET LEFT AND RIGHT AT FLEXIBLE CROSSMEMBER M6X20	004	
60	A 212 520 25 23	COVER F ENGINE COMP. BM CENTRAL	001	
100	A 204 524 33 30	COVER F ENGINE COMP. BM REAR	001	
110	A 212 524 07 40	BRACKET REAR LEFT	001	
140	A 212 524 08 40	BRACKET REAR RIGHT	001	
150	A 001 990 60 36	SHEET METAL SCREW FRONT TRIM TO BRACKET 4.8X19	002	
150	A 001 990 60 36	SHEET METAL SCREW FRONT TRIM TO FRAME-TYPE INTEGRALSUPPORT 4.8X19	002	
150	A 001 990 60 36	SHEET METAL SCREW PANELING FRONT TO WHEELHOUSE PANEL 4.8X19	004	
150	A 001 990 60 36	SHEET METAL SCREW FRONT PANEL AT BUMPER 4.8X19	001	
150	A 001 990 60 36	SHEET METAL SCREW CENTRAL COVERING TO FRAME-TYPE INTEGRAL SUPPORT 4.8X19 Code: -481	004	
150	A 001 990 60 36	SHEET METAL SCREW FASTENING, CENTER PANELING 4.8X19 Code: -481	004	
150	A 001 990 60 36	SHEET METAL SCREW ATTACHMENT OF LINING,REAR 4.8X19	004	
150	A 001 990 60 36	SHEET METAL SCREW FASTENING, REAR COVER AT WHEEL ARCH 4.8X19	002	
160	A 004 994 31 45	CLIP-TYPE NUT FRONT TRIM TO BRACKET 4,8	002	
160	A 004 994 31 45	CLIP-TYPE NUT FRONT TRIM TO FRAME-TYPE INTEGRALSUPPORT 4,8	002	
160	A 004 994 31 45	CLIP-TYPE NUT CENTRAL COVERING TO FRAME-TYPE INTEGRAL SUPPORT 4,8 Code: -481	004	
160	A 004 994 31 45	CLIP-TYPE NUT FASTENING, CENTER PANELING 4,8 Code: -481	004	
160	A 004 994 31 45	CLIP-TYPE NUT ATTACHMENT OF LINING,REAR 4,8	002	

160	A 001 994 98 45	CLIP-TYPE NUT FASTENING, REAR PANELING AT LONGITUDINAL MEMBER	002
200	A 204 524 05 47	STRUT FRONT LEFT	001
200	A 204 524 05 47	STRUT FRONT RIGHT	001
210	A 004 990 45 00	HEXAGON HEAD BOLT STRUT HOLDER LEFT AND RIGHT M10X23,5	004