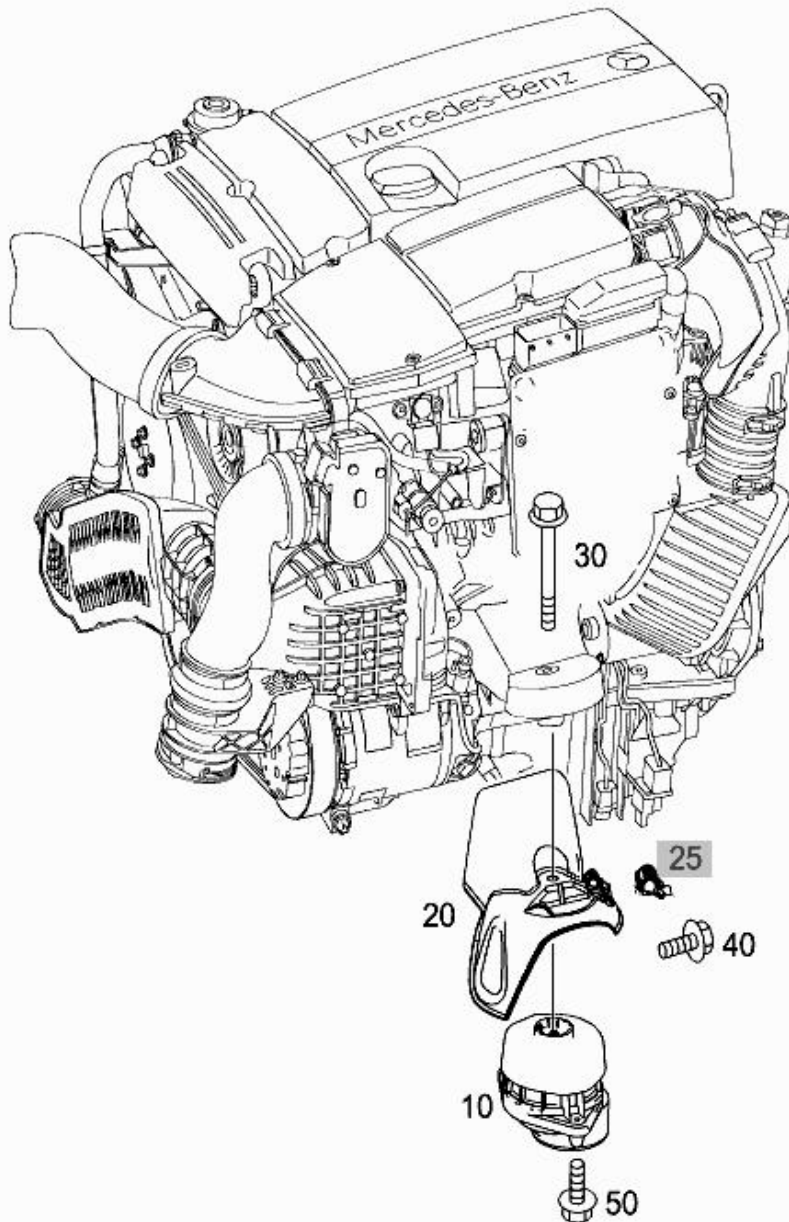


# - Picture -

<b>Mode</b>	MD mode	<b>Mod. des. overview</b>	E SEDAN
<b>FIN/MD</b>	WDD 2120901A316538	<b>Catalog</b>	D02
<b>VIN</b>	WDDHF9AB0BA316538	<b>Major assembly:</b>	
<b>Sales designation</b>	E 550 4MATIC	<b>Major assembly MD</b>	
<b>Assortment class</b>	Car	<b>Group</b>	24 - ENGINE SUSPENSION
<b>Market</b>	North America	<b>Subgroup</b>	015 - ENGINE SUSPENSION
<b>Picture number</b>	B24015000211.110517		



## - Parts list -

<b>Mode</b>	MD mode	<b>Mod. des. overview</b>	E SEDAN
<b>FIN/MD</b>	WDD 2120901A316538	<b>Catalog</b>	D02
<b>VIN</b>	WDDHF9AB0BA316538	<b>Major assembly:</b>	
<b>Sales designation</b>	E 550 4MATIC	<b>Major assembly MD</b>	
<b>Assortment class</b>	Car	<b>Group</b>	24 - ENGINE SUSPENSION
<b>Market</b>	North America	<b>Subgroup</b>	015 - ENGINE SUSPENSION

Item no.	Part number	Designation/description	Quantity	Version
10	A 221 240 04 17	<b>RUBBER MOUNT</b> FRONT LEFT	001	
10	A 221 240 04 17	<b>RUBBER MOUNT</b> FRONT RIGHT	001	
20	A 221 241 14 34	<b>SCREENING PLATE</b> LEFT	001	
20	A 221 241 15 34	<b>SCREENING PLATE</b> RIGHT	001	
30	N 910105 010011	<b>HEXAGON HEAD BOLT</b> ENGINE MOUNTING TO ENGINE SUPPORT M10X40	002	
40	N 000000 001114	<b>HEXALOBULAR BOLT</b> SHIELD TO ENGINE SUPPORT M6X15	004	
50	N 910105 008014	<b>HEXAGON HEAD BOLT</b> FRONT ENGINE MOUNT ON FRAME-TYPE INTEGRAL SUPPORT M8X35	004	
200	A 212 240 11 02	<b>ENGINE SUPPORT</b> REAR Code: 460/494	001	
210	A 001 990 37 03	<b>BOLT</b> ENGINE REAR SUPPORT TO FRAME M10X22	008	
220	A 204 240 06 18	<b>TRANSMISSION MOUNT</b> REAR	001	
230	N 000000 003175	<b>NUT</b> ENGINE MOUNT REAR TO TRANSM. CARRIER M8	005	
240	N 910143 008003	<b>HEXALOBULAR BOLT</b> BEARING TO TRANSMISSION M8X30	004	