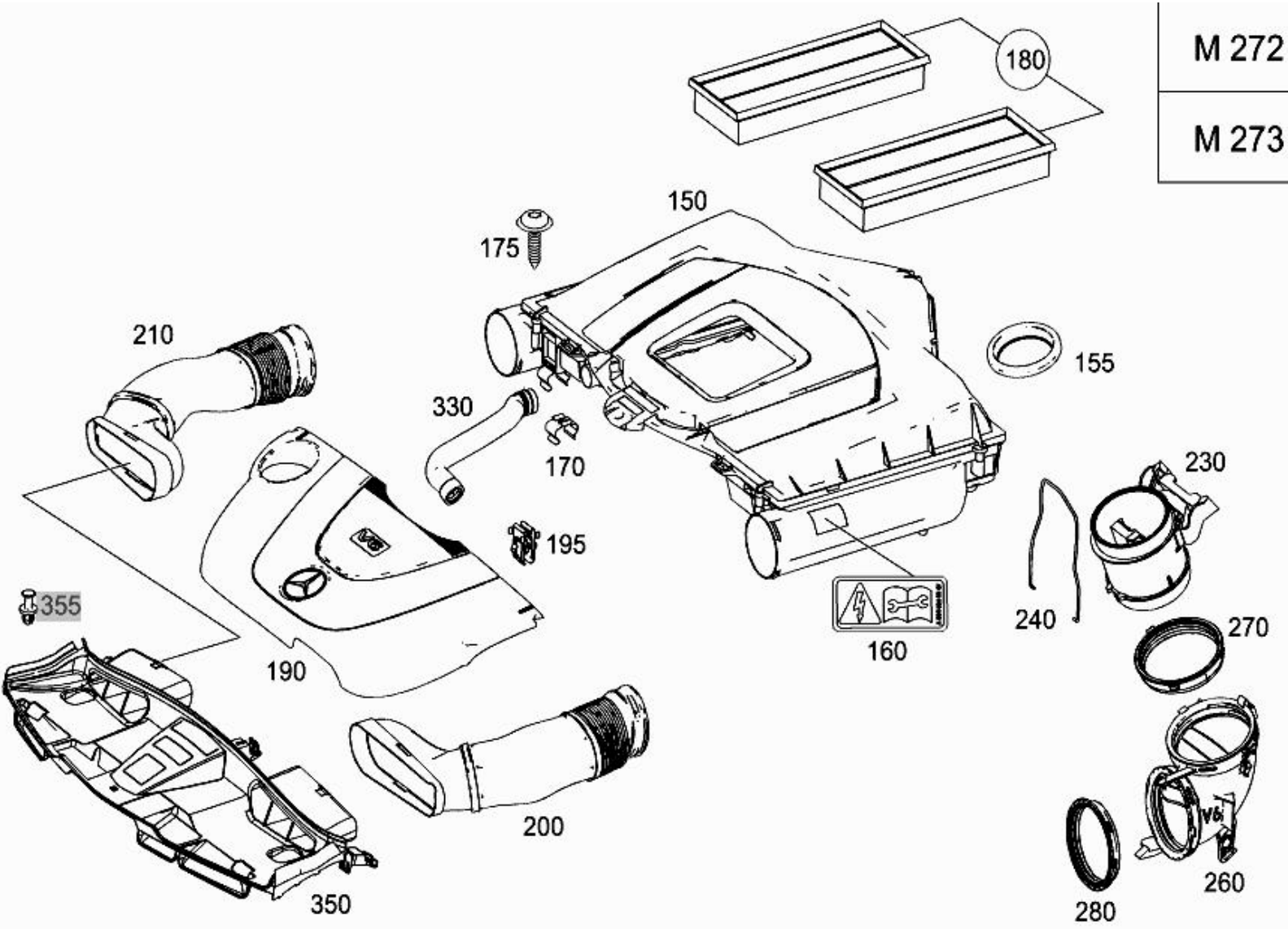


# - Picture -

<b>Mode</b>	MD mode	<b>Mod. des. overview</b>	E SEDAN
<b>FIN/MD</b>	WDD 2120871A295502	<b>Catalog</b>	D02
<b>VIN</b>	WDDHF8HB4BA295502	<b>Major assembly:</b>	
<b>Sales designation</b>	E 350 4MATIC	<b>Major assembly MD</b>	
<b>Assortment class</b>	Car	<b>Group</b>	52 - CHASSIS SHEET METAL / AIR INTAKE
<b>Market</b>	North America	<b>Subgroup</b>	140 - AIR INTAKE,GASOLINE VEHICLES
<b>Picture number</b>	B52140000040.130927		



## - Parts list -

<b>Mode</b>	MD mode	<b>Mod. des. overview</b>	E SEDAN
<b>FIN/MD</b>	WDD 2120871A295502	<b>Catalog</b>	D02
<b>VIN</b>	WDDHF8HB4BA295502	<b>Major assembly:</b>	
<b>Sales designation</b>	E 350 4MATIC	<b>Major assembly MD</b>	
<b>Assortment class</b>	Car	<b>Group</b>	52 - CHASSIS SHEET METAL / AIR INTAKE
<b>Market</b>	North America	<b>Subgroup</b>	140 - AIR INTAKE,GASOLINE VEHICLES

Item no.	Part number	Designation/description	Quantity	Version
100	A 212 500 02 55	<b>FAN SHROUD</b> TOP Code: 800/801/802/803	001	
150	A 273 090 09 01	<b>AIR FILTER</b>	001	
155	A 272 094 00 80	<b>. SEAL</b> REAR AIR FILTER HOUSING	001	
160	A 204 584 00 47	<b>. WARNING STRIP</b> TO AIR FILTER HOUSING LEFT	001	
170	A 112 094 00 41	<b>. BRACKET</b> AIR FILTER HOUSING FASTENING	001	
175	N 304017 005008	<b>. HEXAGON HEAD BOLT</b> CASE UPPER PART TO CASE LOWER PART M5X30	008	
180	A 273 094 04 04	<b>. TS AIR FILTER INSERT</b> PARTS KIT	001	
190	A 272 010 10 67	<b>COVER PLATE</b>	001	
195	A 003 991 82 70	<b>. MOUNTING CLAMP</b> COVER PANEL FASTENING	002	
200	A 272 090 35 82	<b>AIR INTAKE HOSE</b> LEFT	001	
210	A 272 090 36 82	<b>AIR INTAKE HOSE</b> RIGHT	001	
230	A 273 094 09 48	<b>AIR MASS SENSOR</b>	001	
240	A 272 142 03 12	<b>MOUNTING BRACKET</b> FASTENING MASS AIR FLOW SENSOR	001	
260	A 272 140 01 18	<b>HOUSING</b>	001	
270	A 272 141 07 80	<b>. GASKET</b> TOP	001	
280	A 272 141 08 80	<b>. GASKET</b> BOTTOM	001	
330	A 272 142 10 83	<b>MOLDED HOSE</b> BETWEEN AIR PUMP AND AIR CLEANER	001	
350	A 212 500 02 55	<b>FAN SHROUD</b> TOP Code: 800/801/802/803	001	