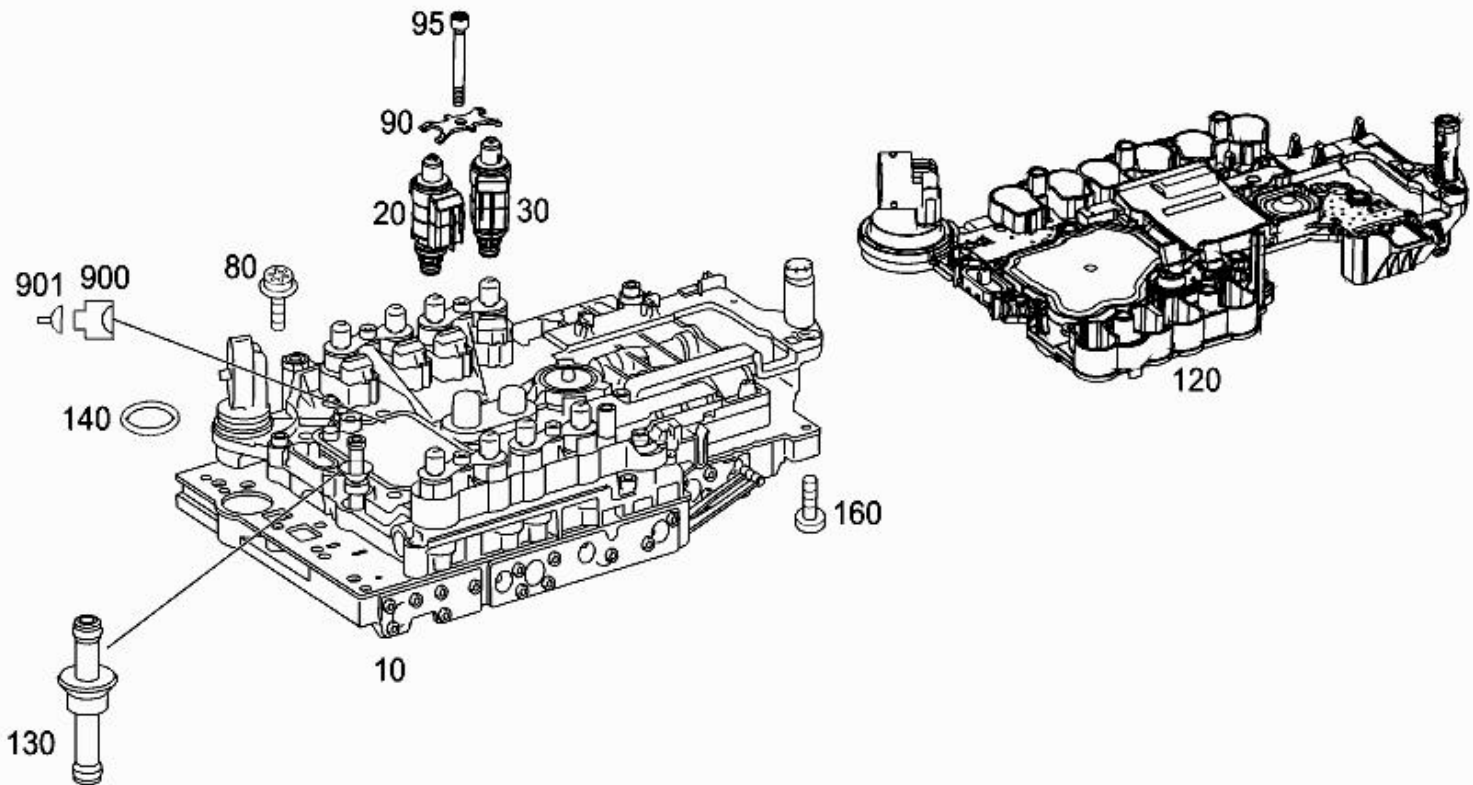




- Picture -

Mode	MD mode	Mod. des. overview	E SEDAN
FIN/MD	WDD 2120881A600278	Catalog	63K -PASSENGER CAR ONLY / NUR PKW
VIN	WDDHF8JB2CA600278	Major assembly:	GA - Automatic transmission
Sales designation	E 350 4MATIC	Major assembly MD	722960 03 918782
Assortment class	Car	Group	27 - AUTOMATIC TRANSMISSION
Market	North America	Subgroup	100 - ELECTRONIC-HYDRAULIC CONTROL UNIT
Picture number	B27100000064.121205		



- Parts list -

Mode	MD mode	Mod. des. overview	E SEDAN
FIN/MD	WDD 2120881A600278	Catalog	63K -PASSENGER CAR ONLY / NUR PKW
VIN	WDDHF8JB2CA600278	Major assembly:	GA - Automatic transmission
Sales designation	E 350 4MATIC	Major assembly MD	722960 03 918782
Assortment class	Car	Group	27 - AUTOMATIC TRANSMISSION
Market	North America	Subgroup	100 - ELECTRONIC-HYDRAULIC CONTROL UNIT

Item no.	Part number	Designation/description	Quantity	Version
10	A 212 270 01 06	CTRR. UNIT ELECTROHYD. Code: A87	001	
20	A 220 277 09 98	. CONTROL SOLENOID BLUE CAP	004	
30	A 220 277 10 98	. CONTROL SOLENOID BLACK CAP	004	
80	A 004 990 26 12	. COMBINATION BOLT ELECTRICAL SYSTEM SET TO SHIFT PLATE M6X23	006	
90	A 212 276 00 03	. SPRING STEEL SHEET  [086] From Transmission: 3632981 From Date: 31/08/2011	004	
95	N 000000 004098	. HEXALOBULAR BOLT SPRING SHEET STEEL TO VALVES 6X45	004	
120	A 000 270 26 00	. RS CTRR. UNIT ELECTROHYD.  [429, 697, 087, 088, 089] THEFT-RELEVANT PART	001	
130	A 220 370 00 93	OIL GUIDE PIPE	001	
140	A 022 997 27 45	O-RING 29X3,25	002	
160	A 004 990 75 12	OVAL HEAD PHILLIPS SCREW SLIDER HOUSING TO TRANSMISSION HOUSING M6X33	010	
900	A 045 545 33 28	PLUG HOUSING TRANSMISSION CONTROL MODULE 6-PIN LKS1.5;N15/11	001	
901	A 008 545 77 26	ROUND PIN BUSHING 0.75-1.0 MM2 LKS1.5	NB	
901	A 000 545 84 80	GASKET SINGLE-WIRE SEAL	NB	
901	A 000 545 79 80	BLIND PLUG BLIND PLUG, WHITE 4.0 MM	NB	
901	A 000 545 78 80	GASKET BLIND PLUG, GREEN 5.2 MM	NB	