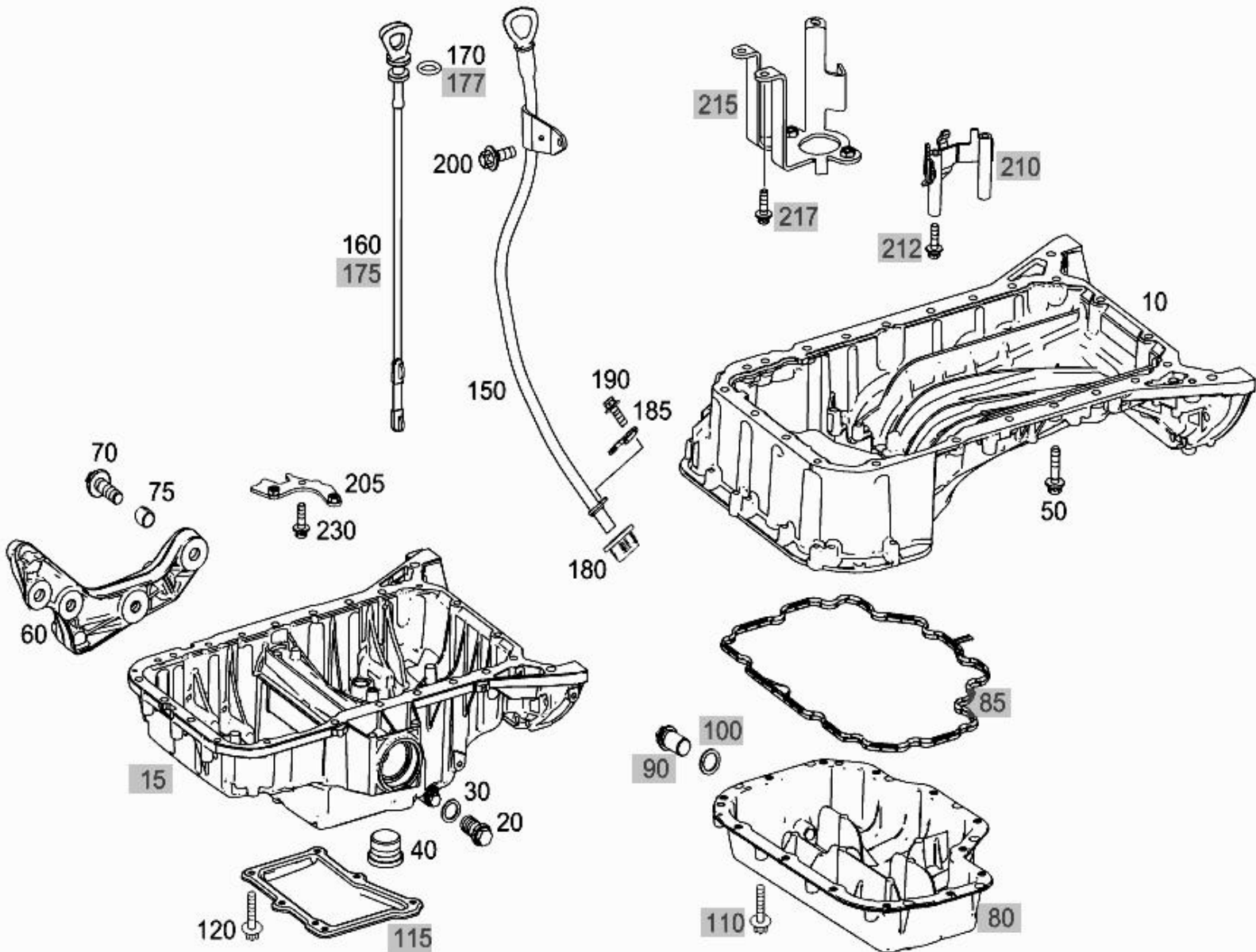


# - Picture -


<b>Mode</b>	MD mode	<b>Mod. des. overview</b>	E SEDAN
<b>FIN/MD</b>	WDD 2120881A600278	<b>Catalog</b>	D74
<b>VIN</b>	WDDHF8JB2CA600278	<b>Major assembly:</b>	M - Engine
<b>Sales designation</b>	E 350 4MATIC	<b>Major assembly MD</b>	276952 30 103682
<b>Assortment class</b>	Car	<b>Group</b>	01 - ENGINE HOUSING
<b>Market</b>	North America	<b>Subgroup</b>	045 - OIL PAN
<b>OIL LEVEL DISPLAY</b>		<b>Picture number</b>	B01045000293.130610





## - Parts list -

<b>Mode</b>	MD mode	<b>Mod. des. overview</b>	E SEDAN
<b>FIN/MD</b>	WDD 2120881A600278	<b>Catalog</b>	D74
<b>VIN</b>	WDDHF8JB2CA600278	<b>Major assembly:</b>	M - Engine
<b>Sales designation</b>	E 350 4MATIC	<b>Major assembly MD</b>	276952 30 103682
<b>Assortment class</b>	Car	<b>Group</b>	01 - ENGINE HOUSING
<b>Market</b>	North America	<b>Subgroup</b>	045 - OIL PAN

### OIL LEVEL DISPLAY

Item no.	Part number	Designation/description	Quantity	Version
10	A 276 014 18 02	<b>OIL SUMP</b> UPPER PART Code: F212/F218  [010, 011] From Engine: 30023024 From Date: 06/06/2011	001	
20	A 111 997 03 30	<b>. SCREW PLUG, FILLING</b> OIL DRAIN Code: F212+M005/F212+M007/F218+...	001	
30	N 007603 014106	<b>. SEALING RING</b> OIL DRAIN Code: F212+M005/F212+M007/F218+...	001	
40	A 001 990 79 17	<b>SCREW PLUG</b> M26X1,5 Code: F212+M005/F218+M005	002	
50	N 910143 008003	<b>HEXALOBULAR BOLT</b> OIL PAN TO CYLINDER CRANKCASE M8X30	002	
50	N 000000 006968	<b>HEXALOBULAR BOLT</b> OIL SUMP ON CRANKCASE COVER, REAR M6X87 Code: -F217-F222	002	
50	N 000000 003648	<b>HEXALOBULAR BOLT</b> OIL PAN TO CYLINDER CRANKCASE M6X25 Code: -F217-F222	014	
50	N 910143 006009	<b>HEXALOBULAR BOLT</b> OIL PAN TO TIMING CASE M6X65 Code: F212+M005/F212+M007/F218+...	001	
50	N 000000 003648	<b>HEXALOBULAR BOLT</b> OIL PAN TO TIMING CASE M6X25 Code: F212+M005/F212+M007	005	
60	A 272 014 02 95	<b>STANCHION</b> AT OIL PAN Code: F212+M005/F218+M005	001	
70	N 000000 001081	<b>HEXAGON HEAD BOLT</b> SUPPORT BRACE AT OIL PAN M12X35 Code: F212+M005/F218+M005	004	
75	A 001 991 81 60	<b>DOWEL PIN</b> Code: F212+M005/F218+M005	002	
120	N 000000 001116	<b>HEXALOBULAR BOLT</b> LOWER PART OF OIL PAN TO UPPER PART M6X19 Code: F212+M005/F212+M007/F218+...	006	
150	A 276 010 00 24	<b>OIL DIPSTICK TUBE</b> Code: F212+M005/F218+M005	001	
160	A 276 010 18 72	<b>. OIL DIP STICK</b> Code: F212+M005/F212+M007/F218+...	001	
170	A 022 997 75 45	<b>. . O-RING</b> OIL DIPSTICK	001	
180	A 112 018 00 80	<b>GASKET</b> GUIDE TUBE TO CYLINDER CRANKCASE	001	
185	A 276 018 00 00	<b>BRACKET</b> Code: F212/F218	001	
190	N 000000 006365	<b>HEXALOBULAR BOLT</b> BRACKET TO OIL PAN M6X16	001	
200	N 000000 006365	<b>HEXALOBULAR BOLT</b> BRACKET TO CYLINDER HEAD M6X16	001	

205	A 272 010 14 40	<b>BRACKET</b> OIL LEVEL CONTACTOR TO OIL PAN Code: F212+M005/F212+M007/F218+...	001
230	N 910143 006005	<b>HEXALOBULAR BOLT</b> BRACKET MOUNTING M6X35 Code: F212+M005/F212+M007/F218+...  [042, 011] From Engine: 30082160 From Date: 03/11/2011	001
230	N 910143 006005	<b>HEXALOBULAR BOLT</b> BRACKET MOUNTING M6X35 Code: F212+M005/F212+M007/F218+...  [023, 011] From Engine: 3 From Date: 12/09/2012	001