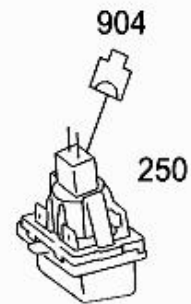
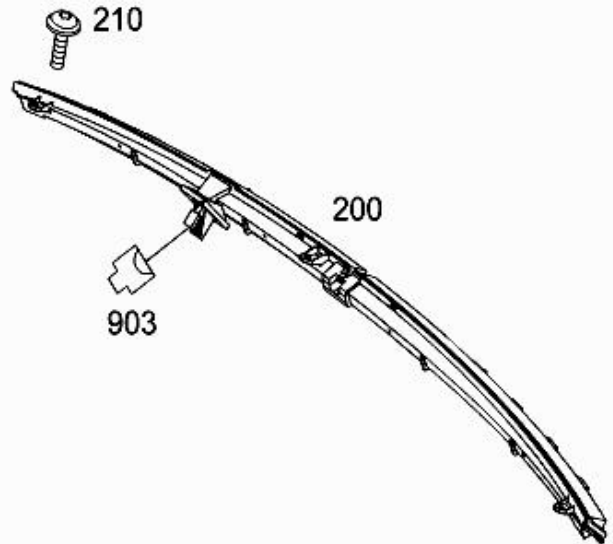
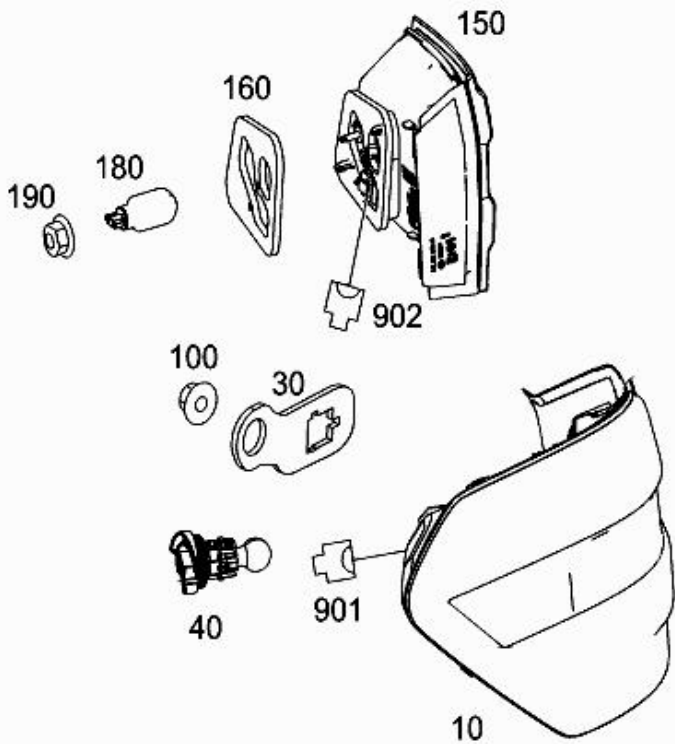


# - Picture -

<b>Mode</b>	MD mode	<b>Mod. des. overview</b>	E STATION WAGON
<b>FIN/MD</b>	WDD 2122881A750851	<b>Catalog</b>	D24
<b>VIN</b>	WDDHH8JB5DA750851	<b>Major assembly:</b>	
<b>Sales designation</b>	E 350 4MATIC	<b>Major assembly MD</b>	
<b>Assortment class</b>	Car	<b>Group</b>	82 - ELECTRICAL SYSTEM
<b>Market</b>	North America	<b>Subgroup</b>	220 - REAR LIGHTING
<b>Picture number</b>	B82220000128.111114		



## - Parts list -

<b>Mode</b>	MD mode	<b>Mod. des. overview</b>	E STATION WAGON
<b>FIN/MD</b>	WDD 2122881A750851	<b>Catalog</b>	D24
<b>VIN</b>	WDDHH8JB5DA750851	<b>Major assembly:</b>	
<b>Sales designation</b>	E 350 4MATIC	<b>Major assembly MD</b>	
<b>Assortment class</b>	Car	<b>Group</b>	82 - ELECTRICAL SYSTEM
<b>Market</b>	North America	<b>Subgroup</b>	220 - REAR LIGHTING

Item no.	Part number	Designation/description	Quantity	Version
10	A 212 820 37 64	<b>REAR LAMP COMBINATION</b> LEFT OUTSIDE Code: -615-621-622-954+800/-615...	001	
10	A 212 820 41 64	<b>REAR LAMP COMBINATION</b> LEFT OUTSIDE Code: 494/460/494+615+800/494+6...	001	
10	A 212 820 42 64	<b>REAR LAMP COMBINATION</b> RIGHT OUTSIDE Code: 494+800/494+801/494+802/4...	001	
30	A 212 826 01 91	<b>. SEAL</b> LEFT OUTSIDE Code: 800/801/802/803	001	
30	A 212 826 02 91	<b>. SEAL</b> RIGHT OUTSIDE Code: 800/801/802/803	001	
40	A 212 826 00 62	<b>. SOCKET</b> DIRECTION INDICATOR Code: -615-621-622-954+800/-615...	004	
100	N 000000 006133	<b>NUT-AND-WASHER ASSEMBLY</b> ATTACHMENT TAIL LAMP	006	
150	A 212 820 09 64	<b>TAIL LAMP</b> REAR PANEL DOOR,LEFT Code: 800/801/802/803	001	
150	A 212 820 10 64	<b>TAIL LAMP</b> REAR PANEL DOOR,RIGHT Code: 800/801/802/803	001	
160	A 212 826 03 91	<b>. SEAL</b> LEFT TAIL LAMP ON REAR DOOR Code: 800/801/802/803	001	
160	A 212 826 04 91	<b>. SEAL</b> RIGHT TAIL LAMP ON REAR DOOR Code: 800/801/802/803	001	
180	N 000000 004145	<b>. BULB</b> LEFT BACK-UP LIGHT 12V-16W Code: 800/801/802/803	001	
180	N 000000 004145	<b>. BULB</b> RIGHT BACK-UP LIGHT 12V-16W Code: 800/801/802/803	001	
190	N 000000 006133	<b>NUT-AND-WASHER ASSEMBLY</b> REAR LAMP AT REAR WALL DOOR	002	
190	N 913023 005002	<b>NUT</b> REAR LAMP AT REAR WALL DOOR M5	001	
200	A 212 820 01 56	<b>ADDITIONAL STOP LIGHT</b> ADDITIONAL STOP LIGHT	001	
210	A 001 984 55 29	<b>BOLT</b> FASTENING AUXILIARY STOP LAMP M4X10	003	
250	A 221 820 08 56	<b>LICENSE PLATE LAMP</b> LICENSE PLATE LAMP LED Code: 802/803/804	002	
901	A 025 545 23 26	<b>CLUTCH</b> LEFT TAIL LAMP 6-PIN MQS;E3 Code: 494/460	001	
901	A 025 545 23 26	<b>CLUTCH</b> RIGHT TAIL LAMP 6-PIN MQS;E4 Code: 494/460	001	
902	A 025 545 22 26	<b>CLUTCH</b> LEFT TAIL LAMP 6-PIN MQS;E3/1	001	

902	A 025 545 22 26	<b>CLUTCH</b> RIGHT TAIL LAMP 6-PIN MQS;E4/1	001
903	A 025 545 01 26	<b>CLUTCH</b> ADDITIONAL STOP LIGHT 2-PIN MQS;E21	001
904	A 022 545 19 26	<b>CLUTCH HOUSING</b> LICENSE PLATE LAMP,LEFT 2-PIN MLK1.2;E19/1 Code: -800-801	001
904	A 022 545 19 26	<b>CLUTCH HOUSING</b> LICENSE PLATE LAMP,RIGHT 2-PIN MLK1.2;E19/2 Code: -800-801	001