

## - Parts list -

|                          |                   |                    |   |
|--------------------------|-------------------|--------------------|---|
| <b>Mode</b>              | BM mode           | <b>BM overview</b> | E 500 / E 550 USA /<br>KANADA / JAPAN                 |
| <b>VIN/mod. des.</b>     | WDD2120721A274432 | <b>Catalog</b>     | D02   |
| <b>VIN</b>               | WDDHF7CB1BA274432 | <b>Group</b>       | 32  |
| <b>Sales designation</b> |                   |                    | SPRINGS,SUSPENSION<br>AND HYDRAULICS                  |
| <b>Assortment class</b>  | PC                | <b>Sub-group</b>   | 154 SPRING STRUT AND<br>SPRING STRUT<br>MOUNTING REAR |
| <b>Market</b>            |                   |                    |   |

Copyright 2019-03-17 Daimler AG

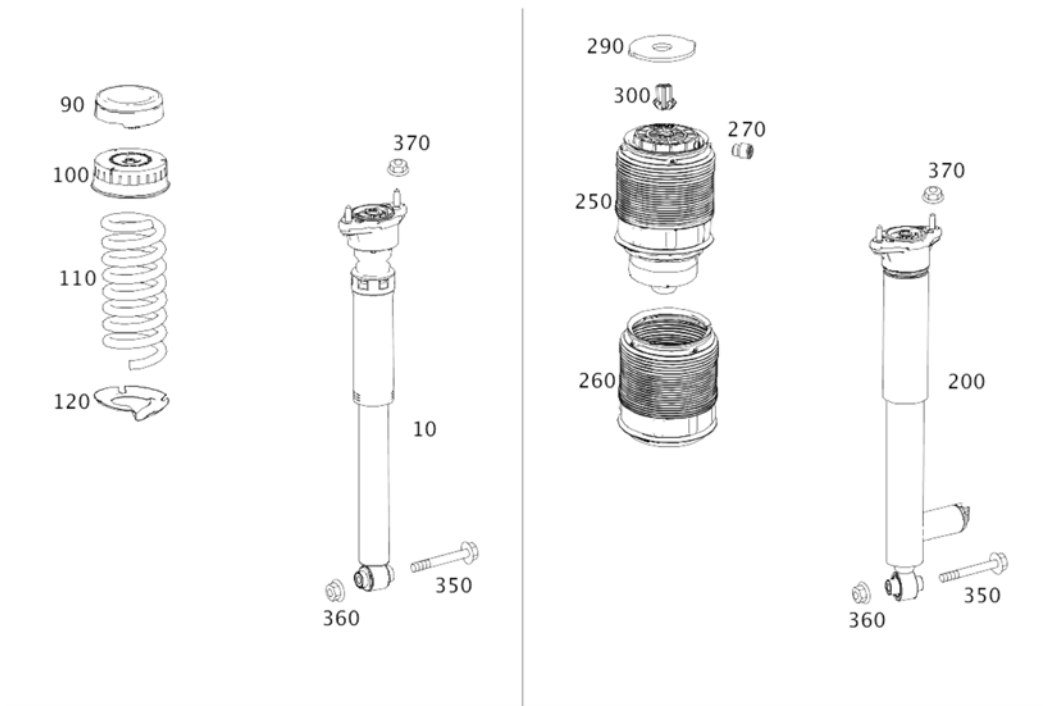


Image ID: drawing\_B3215400019

| Item | Part number     | Designation/additional information  | Qty |
|------|-----------------|---|-----|
| 250  | A 212 320 03 25 | <b>AIR SPRING</b><br>REAR LEFT<br>📅 Code: 489;  | 1   |
| 250  | A 212 320 37 25 | <b>AIR SPRING</b><br>REAR LEFT<br>📅 Code: 489;<br>📄 [002992] IMPORTANT: NOTE TIPS UP TO CHASSIS NUMBER ...  | 1   |
| 250  | A 212 320 06 25 | <b>AIR SPRING</b><br>REAR RIGHT<br>📅 Code: 489;   | 1   |
| 250  | A 212 320 38 25 | <b>AIR SPRING</b><br>REAR RIGHT<br>📅 Code: 489;<br>📄 [002992] IMPORTANT: NOTE TIPS UP TO CHASSIS NUMBER ... | 1   |