

MODEL 463.222 /270 /271 /303 /340 /341

as of model year 2010

MODEL 204.0 /2 /9 (except 204.077 /277),

211.0 /2 /6 as of 15.8.07,

212, 218,

219.3 as of 14.8.07

MODEL 463.306 /336

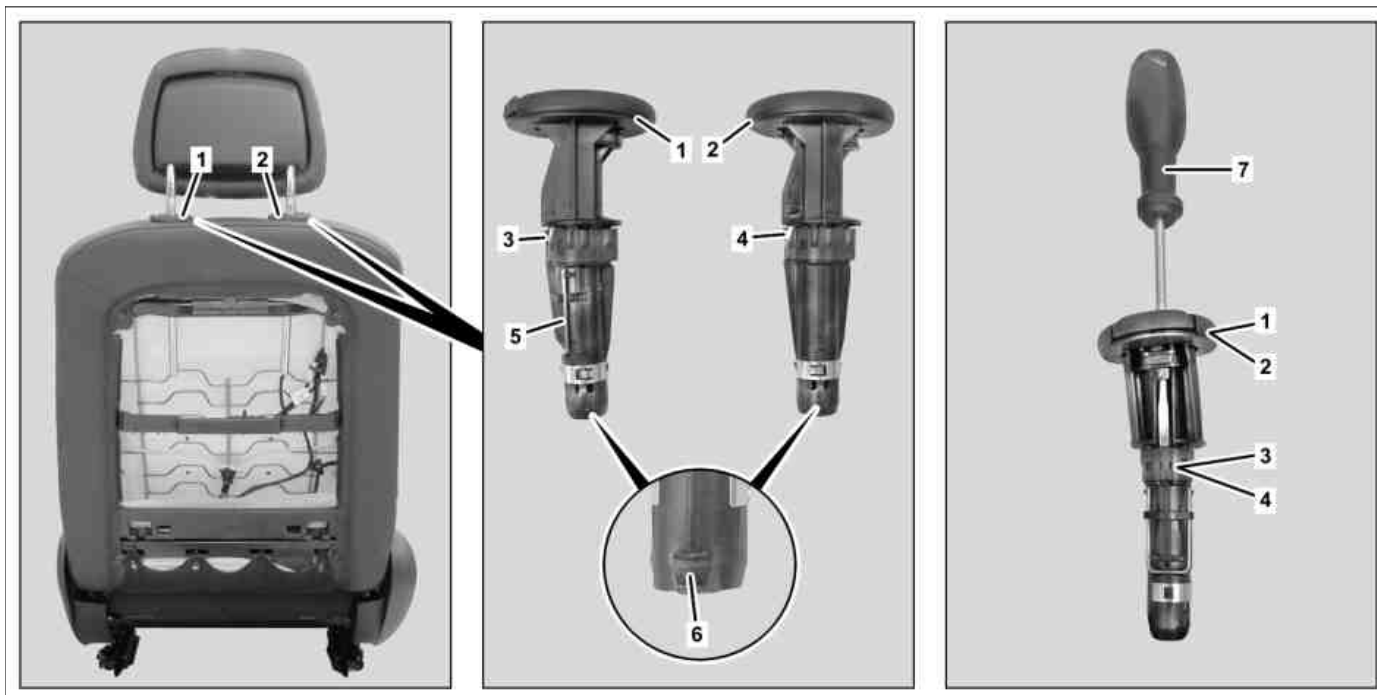
MODEL 463.202 /236 /237 up to model year 2013

as of model year 2010,

/model refinement package 2012

MODEL 463.346 up to model year 2013

/model refinement package 2012








P91.16-2650-09

**Shown on model 204, right front seat**

- 1 Left head restraint guide  
2 Right head restraint guide  
3 Catch hook

- 4 Catch hook  
5 Spring

- 6 Catch hook  
7 Screwdriver

	Removing		
1	Remove left or right head restraint at front seat		AR91.16-P-0040CW
2	Break out catch hooks (6) at left head restraint guide (1) or at right head restraint guide (2)	 Left head restraint guide (1) or right head restraint guide (2) must be replaced.	
3	Press catch hooks (3) at left head restraint guide (1), as shown, using a screwdriver (7) and pull out left head restraint guide (1) upward		
4	Press catch hooks (4) at right head restraint guide (2), as shown, using a screwdriver (7) and pull out right head restraint guide (2) upward		
	<b>Install</b>		
5	Insert left head restraint guide (1) from above into backrest frame and engage in backrest frame	 The left head restraint guide (1) is recognizable by the springs (5). Position left head restraint guide (1) such that the catch hook (3) faces to the left.	
6	Insert right head restraint guide (2) from above into backrest frame and engage in backrest frame	 The right head restraint guide (2) is not equipped with a spring (5). Position right head restraint guide (2) such that the catch hook (4) faces to the left.	
7	Install head restraint at front seat		AR91.16-P-0040CW