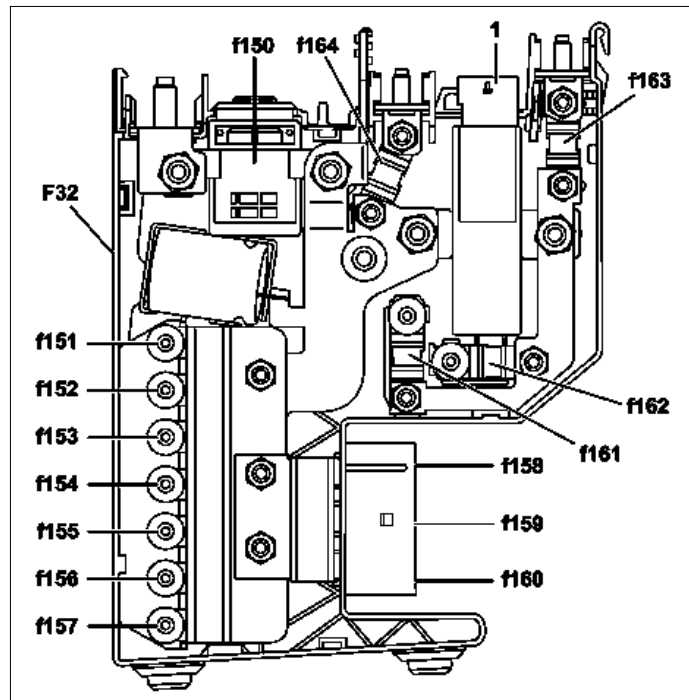


## F32 Front electrical prefuse box



P54.15-3175-12

Fuse	Clamping device	Cable ID (cable fused)	Fused function	Rating in amperes (A)
f150	30	-	<ul style="list-style-type: none"> <li>Pyrofuse 150 (F32f150) triggered by supplemental restraint system control unit (N2/10)</li> </ul>	-
f151	30z	12.0 RD	<b>Valid for code (213) Speed-sensitive power steering:</b> <ul style="list-style-type: none"> <li>Electrical power steering control unit (N68)</li> </ul>	80
f152	30	6.0 RD	<b>Valid for front battery:</b> <ul style="list-style-type: none"> <li>Front SAM control unit with fuse and relay module (/)N10/1</li> </ul>	60
f153	30	10.0 RD	<ul style="list-style-type: none"> <li>Combustion engine fan motor and air conditioning with integrated control (M4/7)</li> </ul>	100
f154	30	16.0 RD	<b>Valid for heater booster:</b> <ul style="list-style-type: none"> <li>PTC heater booster (R22/3)</li> </ul>	150
f155	30	16.0 RD	<ul style="list-style-type: none"> <li>Front SAM control unit with fuse and relay module (/)N10/1</li> </ul>	150
f156	30	-	<ul style="list-style-type: none"> <li>Spare</li> </ul>	-
f157	30	-	<ul style="list-style-type: none"> <li>Spare</li> </ul>	-
f158	30	6.0 RDBU	<ul style="list-style-type: none"> <li>Air conditioner housing (A32)</li> </ul>	50
f159	30	4.0 RD	<b>Valid for code (965) Electrical preinstallation for rental vehicle:</b> <ul style="list-style-type: none"> <li>Special-purpose vehicle multifunction control unit (/)N26/9</li> </ul>	50
f160	30	6.0 RD	<b>Valid for code (489) AIRMATIC (air suspension with continuous damper adjustment):</b> <ul style="list-style-type: none"> <li>AIRmatic relay (K67)</li> </ul>	60
f161	30g	10.0 RDWH	<ul style="list-style-type: none"> <li>Front SAM control unit with fuse and relay module (/)N10/1</li> </ul>	100
f162	30	-	<ul style="list-style-type: none"> <li>Spare</li> </ul>	-
f163	30g	16.0 RD	<ul style="list-style-type: none"> <li>Rear SAM control unit with fuse and relay module (/)N10/2</li> </ul>	150
f164	30	10.0 RD	<b>Not with engine 273:</b> <ul style="list-style-type: none"> <li>Rear SAM control unit with fuse and relay module (/)N10/2</li> </ul>	100
		16.0 RD	<b>Valid for code (494) USA version with engine 642:</b> <ul style="list-style-type: none"> <li>Rear SAM control unit with fuse and relay module (/)N10/2</li> </ul>	