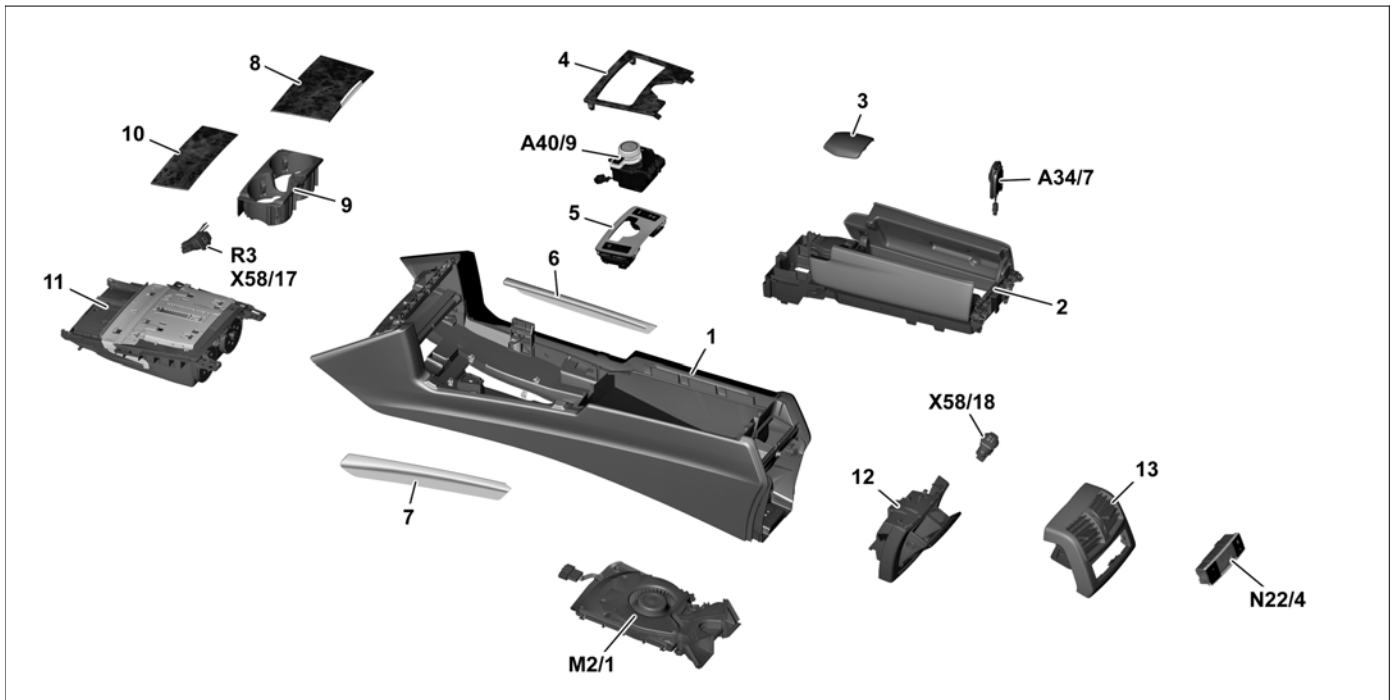


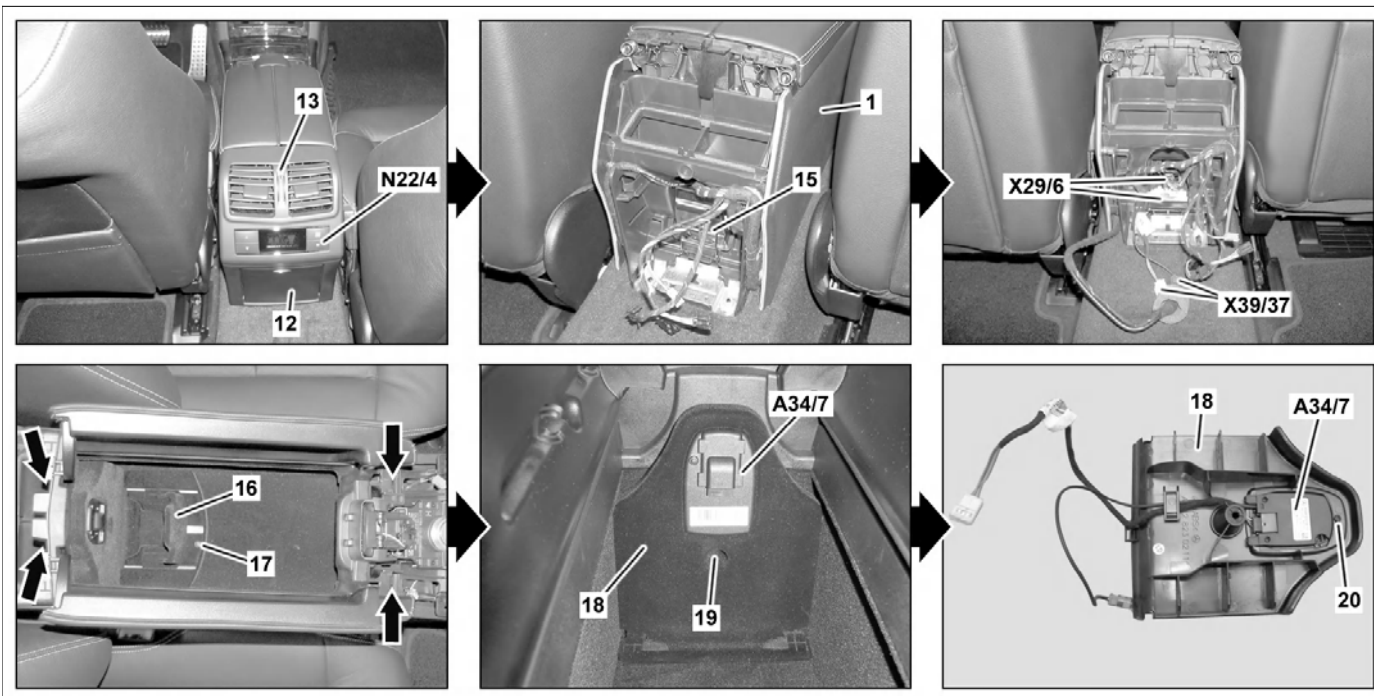
MODEL 212.0 (except 212.074/077), 212.1, 212.2 (except 212.274/277)  
with CODE 279 (Electronic gear selector)



P68.20-4106-09

#### Shown up to model year 2014




1	Center console	8	Cover	A40/9	Audio/COMAND control panel
2	Rear stowage compartment	9	Cup holder (with CODE 309 (Cup holder))	M2/1	Rear blower motor (with CODE 581 (Automatic air conditioning))
3	Release handle cover	10	Cover	N22/4	Rear automatic climate control operating unit (with code (581) Comfort automatic air conditioning)
4	Cover	11	Stowage compartment or ashtray housing	R3	Cigarette lighter with front ashtray illumination (with code 301 (Ashtray package/smoker package))
5	Cover for button group (up to model year 2014)	12	Rear ashtray	X58/17	Front vehicle interior socket electrical connector (except CODE 301 (Ashtray package/smoker package))
6	Cover	13	Rear air vent	X58/18	Rear center console power outlet
7	Cover	A34/7	Bluetooth module (with CODE 386 (Comfort telephony))		



P68.20-4108-09

**Shown up to model year 2014**

1	Center console	17	Bolt (with CODE 386 (Comfort telephony))	N22/4	Automatic air conditioning, rear (with code (581) Automatic air conditioning)
12	Rear ashtray	18	Cover (with CODE 386 (Comfort telephony))	X29/6	Center console electrical connector
13	Rear air vent	19	Bolt (with CODE 386 (Comfort telephony))	X39/37	Electrical connector for mobile phone (with code (386) Comfort telephony)
15	Cover	20	Bolt (with CODE 386 (Comfort telephony))		
16	Bracket (with CODE 386 (Comfort telephony))	A34/7	Bluetooth module (with CODE 386 (Comfort telephony))		

 	Disassemble/assemble		
1	Open cover (10)		
2	Open cover (8)		
3	Remove cup holder (9)	MODEL 212.0 (except 212.074/077), 212.1, 212.2 (except 212.274/277) with CODE 279 (Electronic gear selector) with CODE 309 (Cup holder)	
4	Remove rubber insert from cup holder housing (9) or stowage compartment	 MODEL 212.0 (except 212.074/077), 212.1, 212.2 (except 212.274/277) with CODE 279 (Electronic gear selector) without CODE 309 (Cup holder) A stowage compartment is installed instead of the cupholder (9).	
5	Remove covers (4, 6, 7)		<a href="#">AR68.20-P-2350EW</a>
6	Remove Audio/COMAND control panel (A40/9)	MODEL 212.0 (except 212.074/077), 212.1, 212.2 (except 212.274/277) up to model year 2014 with CODE 279 (Electronic gear selector)	<a href="#">AR82.60-P-7503EW</a>
7	Remove stowage compartment or ashtray housing (11)		<a href="#">AR68.20-P-2420EW</a>
8	Remove rear air vent (13) and lay down to side with electrical lines connected		<a href="#">AR83.10-P-4800CW</a>
9	Remove rear ashtray (12)		<a href="#">AR68.20-P-2230EW</a>
10	Fold cover (15) up toward rear		
11	Slide back foam rubber jacketing and disconnect mobile phone electrical connector (X39/37)	MODEL 212.0 (except 212.074/077), 212.1, 212.2 (except 212.274/277) with CODE 279 (Electronic gear selector) with CODE 386 (Comfort telephony)	

12	Disconnect electrical connector from center console (X29/6)		
13	Unscrew bolts (arrows) and remove rear stowage compartment (2) upward		
14	Unscrew bolt (17) and remove bracket (16)	MODEL 212.0 (except 212.074/077), 212.1, 212.2 (except 212.274/277) with CODE 279 (Electronic gear selector) with CODE 386 (Comfort telephony)	
15	Unscrew bolt (19) and remove cover (18) with Bluetooth module (A34/7) and associated electrical wiring harness	MODEL 212.0 (except 212.074/077), 212.1, 212.2 (except 212.274/277) with CODE 279 (Electronic gear selector) with CODE 386 (Comfort telephony)	
16	Unscrew bolt (20) and remove Bluetooth module (A34/7) from cover (18)	MODEL 212.0 (except 212.074/077), 212.1, 212.2 (except 212.274/277) with CODE 279 (Electronic gear selector) with CODE 386 (Comfort telephony)	
17	Remove center console (1)		AR68.20-P-2000EW
18	Rear rear blower motor (M2/1)	MODEL 212.0 (except 212.074/077), 212.1, 212.2 (except 212.274/277) with CODE 279 (Electronic gear selector) with CODE 581 (Automatic air conditioning)	AR83.30-P-5565EW
19	Assemble in the reverse order		