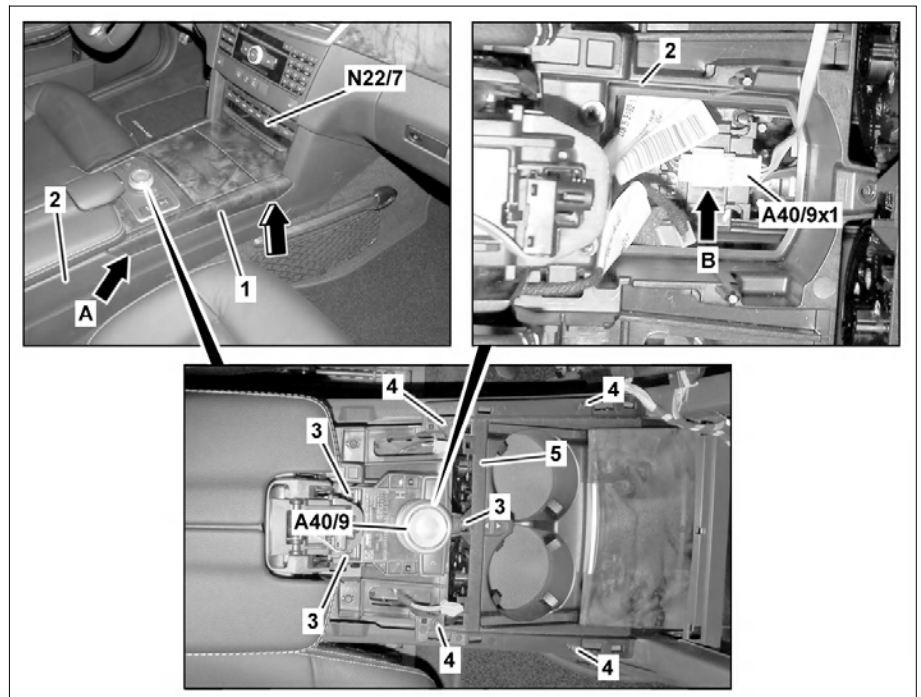


**MODEL** 212.0 (except 212.074/077), 212.1, 212.2 (except 212.274/277)  
with CODE 279 (Electronic gear selector)

**Shown up to model year 2014**

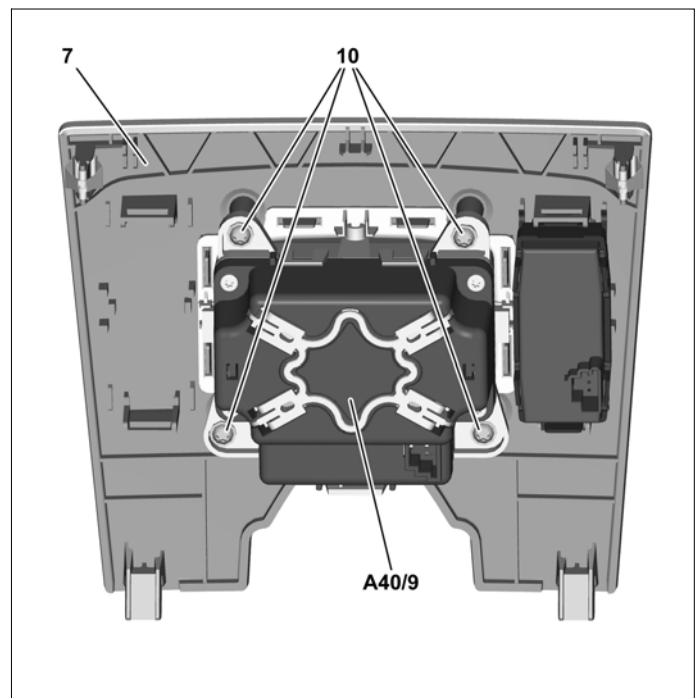
- 1 Cover
- 2 Center console
- 3 Bolt (up to model year 2014)
- 4 Screw
- 5 Stowage compartment
- A40/9 Audio/COMAND control panel
- A40/9x1 Audio/COMAND control panel electrical connector (up to model year 2014)
- N22/7 Automatic air conditioning control and operating unit



P82.60-7330-06

**Shown as of model year 2014**

- 7 Center cover
- 10 Screws/bolts (as of model year 2014)
- A40/9 Audio/COMAND control panel



P82.60-9468-12

	Information on preventing damage to electronic components due to electrostatic discharge		AH54.00-P-0001-01A
	<b>Remove/install</b>		
1 	Perform initial startup of Audio/COMAND control panel (A40/9)	When replacing the Audio/COMAND control panel (A40/9).	AD00.00-P-2000-04A AR68.20-P-2350EW
2	Remove left and right cover (1) and center cover (7)		

3	Remove screws/bolts (4) and detach stowage compartment (5)	MODEL 212.0 (except 212.074/077), 212.1, 212.2 (except 212.274/277) up to model year 2014 with CODE 279 (Electronic gear selector)	
4.1	Remove screws/bolts (3)	MODEL 212.0 (except 212.074/077), 212.1, 212.2 (except 212.274/277) up to model year 2014 with CODE 279 (Electronic gear selector)	
4.2	Remove screws/bolts (10)	MODEL 212.0 (except 212.074/077), 212.1, 212.2 (except 212.274/277) as of model year 2014 with CODE 279 (Electronic gear selector)	
5	Raise stowage compartment (5) at front and take out Audio/COMAND control panel (A40/9) far enough until the Audio/COMAND control panel electrical connection (A40/9x1) is accessible	MODEL 212.0 (except 212.074/077), 212.1, 212.2 (except 212.274/277) up to model year 2014 with CODE 279 (Electronic gear selector)	
6	Unclip Audio/COMAND control panel electrical connection (A40/9x1) from center console (2) and disconnect	MODEL 212.0 (except 212.074/077), 212.1, 212.2 (except 212.274/277) up to model year 2014 with CODE 279 (Electronic gear selector)	
7	Remove Audio/COMAND control panel (A40/9)		
8	Install in the reverse order		