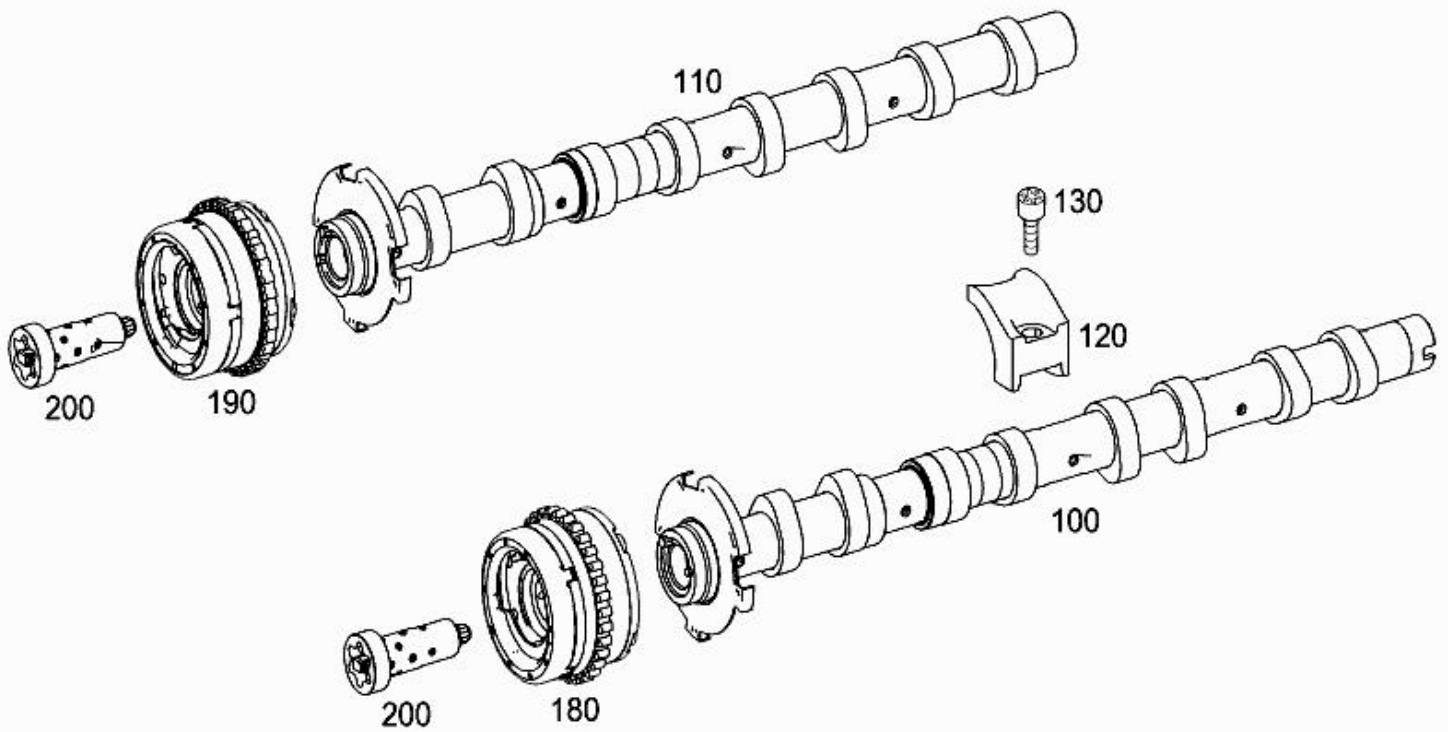


- Picture -

Mode	MD mode	Mod. des. overview	E SEDAN
FIN/MD	WDD 2120881A600278	Catalog	D74
VIN	WDDHF8JB2CA600278	Major assembly:	M - Engine
Sales designation	E 350 4MATIC	Major assembly MD	276952 30 103682
Assortment class	Car	Group	05 - ENGINE MANAGEMENT
Market	North America	Subgroup	030 - CAMSHAFT AND CAMSHAFT ADJUSTER
Picture number	B05030000017.100930		



- Parts list -

Mode	MD mode	Mod. des. overview	E SEDAN
FIN/MD	WDD 2120881A600278	Catalog	D74
VIN	WDDHF8JB2CA600278	Major assembly:	M - Engine
Sales designation	E 350 4MATIC	Major assembly MD	276952 30 103682
Assortment class	Car	Group	05 - ENGINE MANAGEMENT
Market	North America	Subgroup	030 - CAMSHAFT AND CAMSHAFT ADJUSTER

Item no.	Part number	Designation/description	Quantity	Version
100	A 276 050 58 01	CAMSHAFT INLET RIGHT	001	
100	A 276 050 57 01	CAMSHAFT INLET LEFT	001	
110	A 276 050 60 01	CAMSHAFT EXHAUST; RIGHT	001	
110	A 276 050 59 01	CAMSHAFT EXHAUST; LEFT	001	
120	A 272 051 00 03	COVER INTAKE; RIGHT	002	
120	A 272 051 00 03	COVER EXHAUST; RIGHT [002, 003] To Engine: 3 To Date: 14/09/2012	001	
120	A 272 051 00 03	COVER EXHAUST; RIGHT [004, 005] From Engine: 3 From Date: 14/09/2012	002	
120	A 272 051 00 03	COVER INTAKE; LEFT	002	
120	A 272 051 00 03	COVER EXHAUST; LEFT [002, 003] To Engine: 3 To Date: 14/09/2012	001	
120	A 272 051 00 03	COVER EXHAUST; LEFT [004, 005] From Engine: 3 From Date: 14/09/2012	002	
130	N 000000 003358	HEXALOBULAR BOLT COVER AT CYLINDER HEAD M6X25	004	
130	N 000000 003358	HEXALOBULAR BOLT COVER AT CYLINDER HEAD M6X25 [002, 003] To Engine: 3 To Date: 14/09/2012	002	
130	N 000000 003358	HEXALOBULAR BOLT COVER AT CYLINDER HEAD M6X25 [004, 005] From Engine: 3 From Date: 14/09/2012	004	
180	A 276 050 15 47	CAMSHAFT ADJUSTER INTAKE; LEFT [006] To Engine: 30129268 To Date: 31/01/2012	001	
180	A 276 050 16 47	CAMSHAFT ADJUSTER INTAKE; RIGHT [006] To Engine: 30129268 To Date: 31/01/2012	001	
190	A 276 050 13 47	CAMSHAFT ADJUSTER EXHAUST; LEFT [006] To Engine: 30129268 To Date: 31/01/2012	001	
190	A 276 050 14 47	CAMSHAFT ADJUSTER EXHAUST; RIGHT [006] To Engine: 30129268 To Date: 31/01/2012	001	
200	A 276 050 02 78	CENTRAL VALVE INTAKE; LEFT	001	
200	A 276 050 02 78	CENTRAL VALVE EXHAUST; LEFT	001	
200	A 276 050 02 78	CENTRAL VALVE INTAKE; RIGHT	001	
200	A 276 050 02 78	CENTRAL VALVE EXHAUST; RIGHT	001	