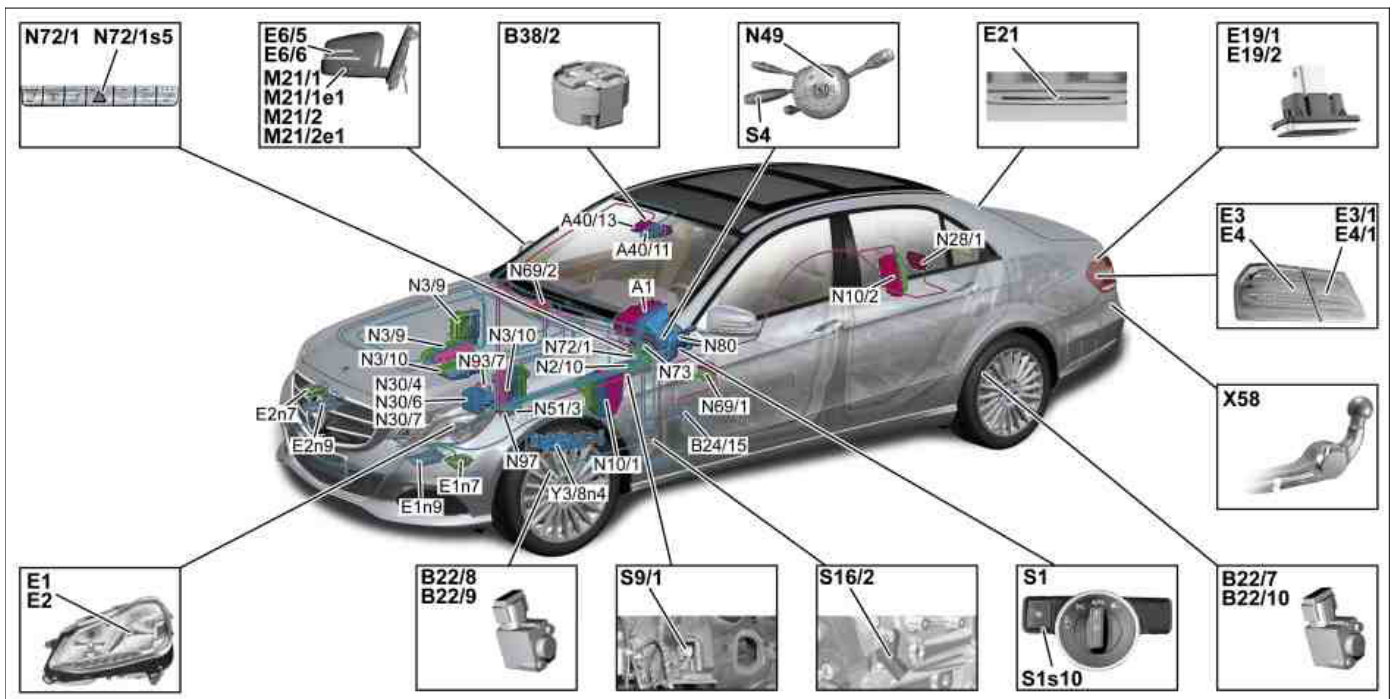


Model 212
as of model year 2014



P82.10-7118-79

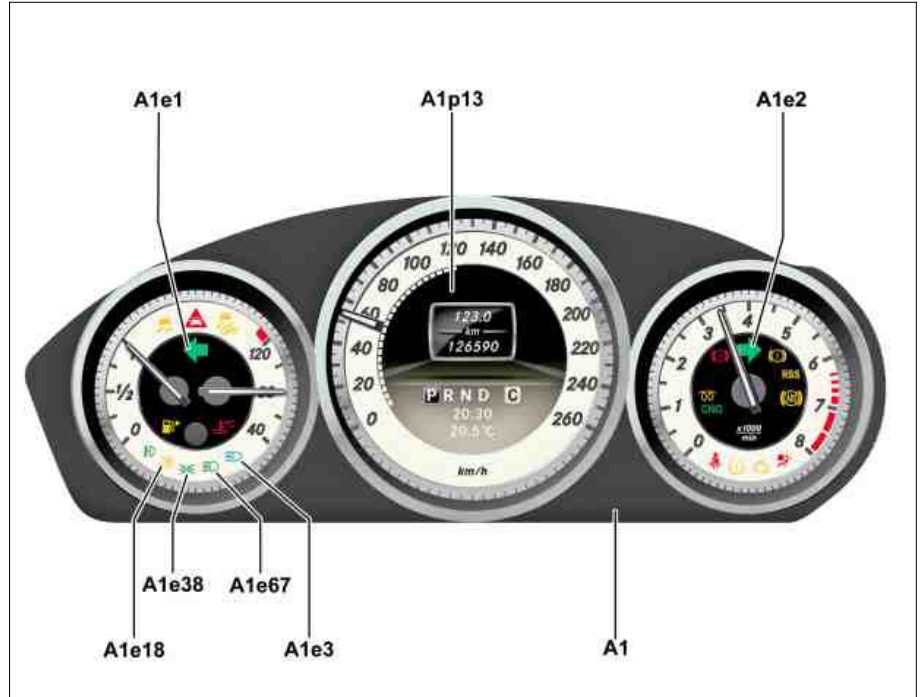
Show on model 212.0

A1	Instrument cluster	M21/2e1	Right outside mirror ambient lamp
A40/11	Multifunction camera (with code 628 (Adaptive Highbeam Assist Plus) and except code 23P (Driving Assistance Package Plus))	N2/10	Supplemental restraint system control unit
A40/13	Stereo multifunction camera (with code 628 (Adaptive Highbeam Assist Plus) and code 23P (Driving Assistance Package Plus))	N3/9	CDI control unit (diesel engine, with engine 642 positioned on right, with engine 651 positioned centrally)
B22/7	Left rear level sensor	N3/10	ME-SFI [ME] control unit (gasoline engine, with engine 271, 274, 276 located at left, with engine 157, 272, 278 located at center)
B22/8	Left front level sensor	N10/1	Front SAM control unit with fuse and relay module
B22/9	Right front level sensor	N10/2	Rear SAM control unit with fuse and relay module
B22/10	Right rear level sensor	N28/1	Trailer recognition control unit (with code 550 (Trailer hitch))
B24/15	Yaw rate sensor for lateral and longitudinal acceleration	N30/4	Electronic Stability Program control unit (model 212 (except 212.074/075/076/092/095/098/274/275/276/292/298) except CODE 233 (DISTRONIC PLUS))
B38/2	Rain/light sensor	N30/6	Regenerative braking system control unit (model 212.095/098/298)
E1	Left front lamp unit	N30/7	Premium Electronic Stability Program control unit (model 212 (except 212.095/098/298) with CODE 233 (DISTRONIC PLUS), model 212.074/075/076/092/274/275/276/292)
E1n7	Left front actuation module, LED exterior lighting (with CODE 640 (Dynamic SAE right-hand traffic LED headlamp) or CODE 641 (Dynamic left-hand traffic LED headlamp) or CODE 642 (Dynamic right-hand traffic LED headlamp))	N49	Steering angle sensor
E1n9	Left headlamp control unit	N51/3	AIRMATIC control unit (with code 488 (Steel/air suspension) or code 489 (AIRMATIC))
E2	Right front lamp unit	N69/1	Left front door control unit
E2n7	Right front actuation module, LED exterior lighting (with CODE 640 (Dynamic SAE right-hand traffic LED headlamp) or CODE 641 (Dynamic left-hand traffic LED headlamp) or CODE 642 (Dynamic right-hand traffic LED headlamp))	N69/2	Right front door control unit
E2n9	Right headlamp control unit	N72/1	Upper control panel control unit
E3	Left rear lamp unit	N72/1s5	Hazard warning system button

E3/1	Inner left rear lamp unit	N73	Electronic ignition switch control unit
E4	Right rear lamp unit	N80	Steering column module control unit
E4/1	Inner right rear lamp unit	N93/7	Chassis gateway control unit (with CODE 23P (Driving assistance package Plus))
E6/5	Left outside mirror turn signal lamp	N97	Rear axle electronic level control control unit (model 212.2 except code 488 (Steel/air suspension) and except code 489 (AIRMATIC))
E6/6	Right outside mirror turn signal lamp	S1	Exterior lights switch
E19/1	Left license plate lamp	S1s10	Rear fog light button (without CODE 460 (Canada version) and without CODE 494 (USA version))
E19/2	Right license plate lamp	S4	Combination switch
E21	Center stop lamp	S9/1	Stop lamp switch
M21/1	Left outside mirror	S16/2	Backup lamp switch (with transmission 711, 716)
M21/1e1	Left outside mirror ambient lamp	X58	Trailer socket (with CODE 550 (Trailer hitch))
M21/2	Right outside mirror	Y3/8n4	Fully integrated transmission control unit (transmission 722.9, 724.2, 725)

Displays in instrument cluster

A1	Instrument cluster
A1e1	Left turn signal indicator light
A1e2	Right turn signal indicator light
A1e3	High beam indicator lamp
A1e18	Rear fog light indicator lamp (except CODE 460 (Canada version) and except CODE 494 (USA version))
A1e38	Standing lamps indicator lamp
A1e67	Low beam indicator lamp
A1p13	Multifunction display



P54.33-2640-76

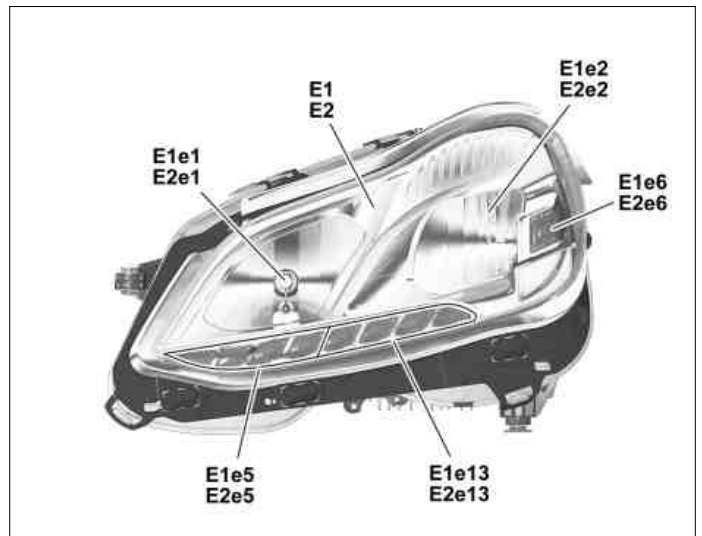
i The following components in the instrument cluster transmitting functional feedback are not shown here:

- Warning buzzer (A1h1)

- Function check of turn signal lights, acoustic (A1h2)

Front lamp unit (partial LED version) (without CODE 640 (Dynamic SAE right-hand traffic LED headlamp) and without CODE 641 (Dynamic left-hand traffic LED headlamp) and without CODE 642 (Dynamic right-hand traffic LED headlamp))

E1	Left front lamp unit
E1e1	Left high beam
E1e2	Left low beam
E1e5	Left front turn signal lamp
E1e6	Left front side marker light (with CODE 460 (Canada version) or CODE 494 (USA version))
E1e13	Left parking light and daytime running light
E2	Right front lamp unit
E2e1	Right high beam
E2e2	Right low beam
E2e5	Right front turn signal lamp
E2e6	Right front side marker light (with CODE 460 (Canada version) or CODE 494 (USA version))
E2e13	Right parking light and daytime running light



P82.10-7113-11

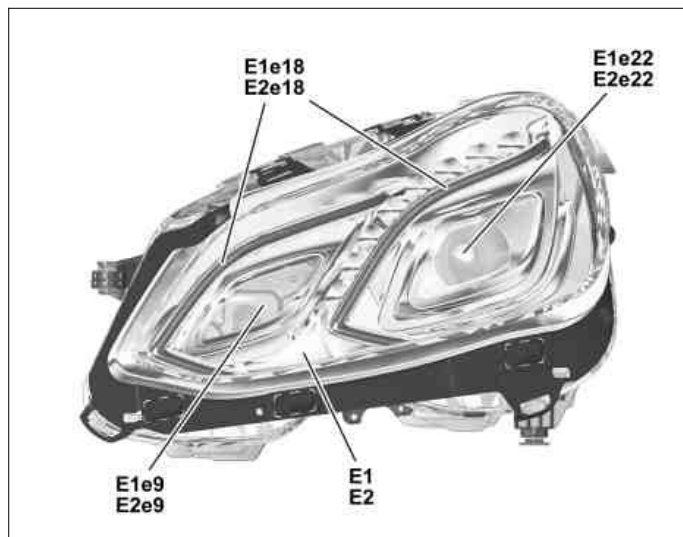
i The following components are not shown:

- Left headlamp range adjustment actuator motor (E1m1)
- Fan motor 1 for left front lamp unit (E1m4)

- Right headlamp range adjustment actuator motor (E2m1)
- Fan motor 1 for right front lamp unit (E2m4)

Front lamp unit (full LED version) (with CODE 640 (Dynamic SAE right-hand traffic LED headlamp) or CODE 641 (Dynamic left-hand traffic LED headlamp) or CODE 642 (Dynamic right-hand traffic LED headlamp))

- E1 Left front lamp unit
- E1e9 Left cornering illumination
- E1e18 Left turn signal light, parking light, side marker light and daytime running light
- E1e22 Left front Vario-LED lamp unit
- E2 Right front lamp unit
- E2e9 Right cornering illumination
- E2e18 Right turn signal light, parking light, side marker light and daytime running light
- E2e22 Right front Vario-LED lamp unit



P82.10-7114-11

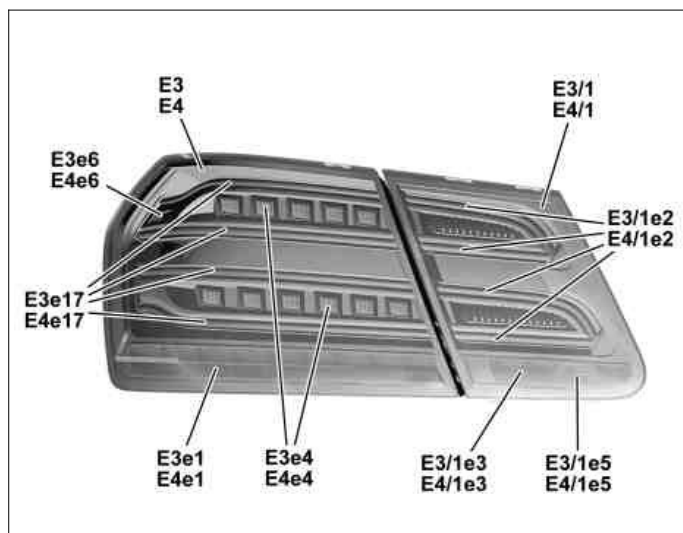
i The following components are not shown:

- Left headlamp range adjustment actuator motor
- Left active curve illumination actuator motor (E1m2)
- Left light distribution actuator motor (E1m3) (with CODE 641 (Dynamic left-hand traffic LED headlamp) or CODE 642 (Dynamic right-hand traffic LED headlamp))
- Left front lamp unit fan motor 1
- Fan motor 2 for left front lamp unit (E1m5)

- Right headlamp range adjustment actuator motor
- Right active curve illumination actuator motor (E2m2)
- Right light distribution actuator motor (E2m3) (with CODE 641 (Dynamic left-hand traffic LED headlamp) or CODE 642 (Dynamic right-hand traffic LED headlamp))
- Right front lamp unit fan motor 1
- Fan motor 2 for right front lamp unit (E2m5)

Rear lamp unit, shown on model 212.0

- E3 Left rear lamp unit
- E3e1 Left rear turn signal lamp
- E3e4 Left stop lamp
- E3e6 Left side marker light (with CODE 460 (Canada version) or CODE 494 (USA version))
- E3e17 Left taillight and brake light
- E3/1 Inner left rear lamp unit
- E3/1e2 Left inside taillight
- E3/1e3 Left backup lamp
- E3/1e5 Left rear fog light (except CODE 460 (Canada version) and except CODE 494 (USA version))
- E4 Right rear lamp unit
- E4e1 Right rear turn signal lamp
- E4e4 Right stop lamp
- E4e6 Right side marker light (with CODE 460 (Canada version) or CODE 494 (USA version))
- E4e17 Right taillight and brake light
- E4/1 Inner right rear lamp unit
- E4/1e2 Right inside taillight
- E4/1e3 Right backup lamp
- E4/1e5 Right rear fog light (except CODE 460 (Canada version) and except CODE 494 (USA version))



P82.10-7115-11

	Component description for instrument cluster	A1	GF54.30-P-6000FL
	Component description for multifunction camera	Model 212 as of model year 2014 with code 628 (Adaptive Highbeam Assist Plus) A40/11, A40/13	GF54.21-P-3300FL
	Component description for yaw rate sensor for lateral and longitudinal acceleration	B24/15	GF42.45-P-4810FL

Actuation module, LED exterior lighting, front, component description	Model 212 as of model year 2014 with code 640 (Headlamps, LED, dynamic, SAE, right-side traffic) except code 641 (Headlamps, LED, dynamic, left-side traffic) except code 642 (Headlamps, LED, dynamic, right-side traffic) Model 212 as of model year 2014 with code 641 (Headlamps, LED, dynamic, left-side traffic) except code 640 (Headlamps, LED, dynamic, SAE, right-side traffic) except code 642 (Headlamps, LED, dynamic, right-side traffic) Model 212 as of model year 2014 with code 642 (Headlamps, LED, dynamic, right-side traffic) except code 640 (Headlamps, LED, dynamic, SAE, right-side traffic) except code 641 (Headlamps, LED, dynamic, left-side traffic) E1n7, E2n7	GF82.10-P-2160FLM
Headlamp control unit, component description	E1n9, E2n9	GF82.10-P-2020FLM
Supplemental restraint system control unit, component description	N2/10	GF91.60-P-4080FL
Component description for CDI control unit	Model 212 with engine 642.8 as of model year 2014 N3/9 Model 212 (except 212.098/298) with engine 651.9 as of model year 2014 Delphi N3/9 Model 212 (except 212.098/298) with engine 651.9 as of 9/1/13 as of model year 2014 with code 494 (US version) Bosch N3/9 Model 212.098/298 with engine 651.924 as of model year 2014 N3/9	GF07.16-P-6000OG GF07.16-P-6000OM GF07.16-P-6000OMD GF07.16-P-6000OLI
Component description for ME-SFI (ME) control unit	Model 212 with engine 157.9 as of model year 2014 Model 212 with engine 278.9 as of model year 2014 N3/10 Model 212 with engine 271.8 as of model year 2014 N3/10 Model 212 with engine 272.9 (except 272.983) as of model year 2014 N3/10 Model 212 with engine 274.9 as of model year 2014 except code 924 (Bivalent natural gas drive) N3/10 Model 212 with engine 274.9 as of model year 2014 with code 924 (Bivalent natural gas drive) N3/10 Model 212 with engine 276.8 as of model year 2014 N3/10 Model 212 (except 212.095) with engine 276.9 as of model year 2014 N3/10 Model 212.095 with engine 276.9 as of model year 2014 N3/10	GF07.61-P-6000MMA GF07.61-P-6000MG GF07.61-P-6000MI GF07.61-P-6000MRB GF07.61-P-6000MRC GF07.61-P-6000MMP GF07.61-P-6000MM GF07.61-P-6000MMO
Component description for front SAM control unit with fuse and relay module	N10/1	GF54.21-P-6070FL
Component description for rear SAM control unit with fuse and relay module	N10/2	GF54.21-P-6030FL
Component description for trailer recognition control unit	Model 212 as of model year 2014 with code 550 (Trailer coupling) N28/1	GF31.19-P-4050FL

	Component description for Electronic Stability Program control unit	Model 212 (except 212.095/098/298) as of model year 2014 N304, N307	GF42.45-P-5119FLM
	Component description for regenerative braking system control unit	Model 212.095/098/298 as of model year 2014 N30/6	GF42.22-P-1100FLM
	AIRmatic control unit, component description	Model 212 as of model year 2014 with code 488 (Steel/air suspension) except code 489 (AIRMATIC) Model 212 as of model year 2014 with code 489 (AIRMATIC) except code 488 (Steel/air suspension) N51/3	GF32.22-P-5109FLM
	Component description for left front door control unit	N69/1	GF72.29-P-6001FL
	Component description for right front door control unit	N69/2	GF72.29-P-6009FL
	Upper control panel control unit, component description	N72/1	GF54.21-P-6040FL
	Component description for the electronic ignition lock control unit	N73	GF80.57-P-6001FL
	Component description for steering column tube module control unit	N80	GF54.21-P-6051FL
	Component description for chassis gateway control unit	Model 212 as of model year 2014 with code 23P (Driving Assistance package Plus) N93/7	GF54.21-P-1010FLM
	Rear axle level control system control unit, component description	Model 212.2 as of model year 2014 except code 488 (Steel/air suspension) except code 489 (AIRMATIC) N97	GF32.33-P-3400FLM
	Component description for fully integrated transmission control unit	Model 212 with transmission 722.9 (except 722.930/931) as of model year 2014 Y3/8n4 Model 212 with transmission 722.931 as of model year 2014 Y3/8n4 Model 212 with transmission 724.2 as of model year 2014 Y3/8n4 Model 212 with transmission 725.0 as of model year 2014 Y3/8n4	GF27.60-P-5165AHL GF27.60-P-5165AHX GF27.60-P-5165AHO GF27.60-P-5165ANA
	Table of contents for function description of exterior lights		GF82.10-P-0999FLM