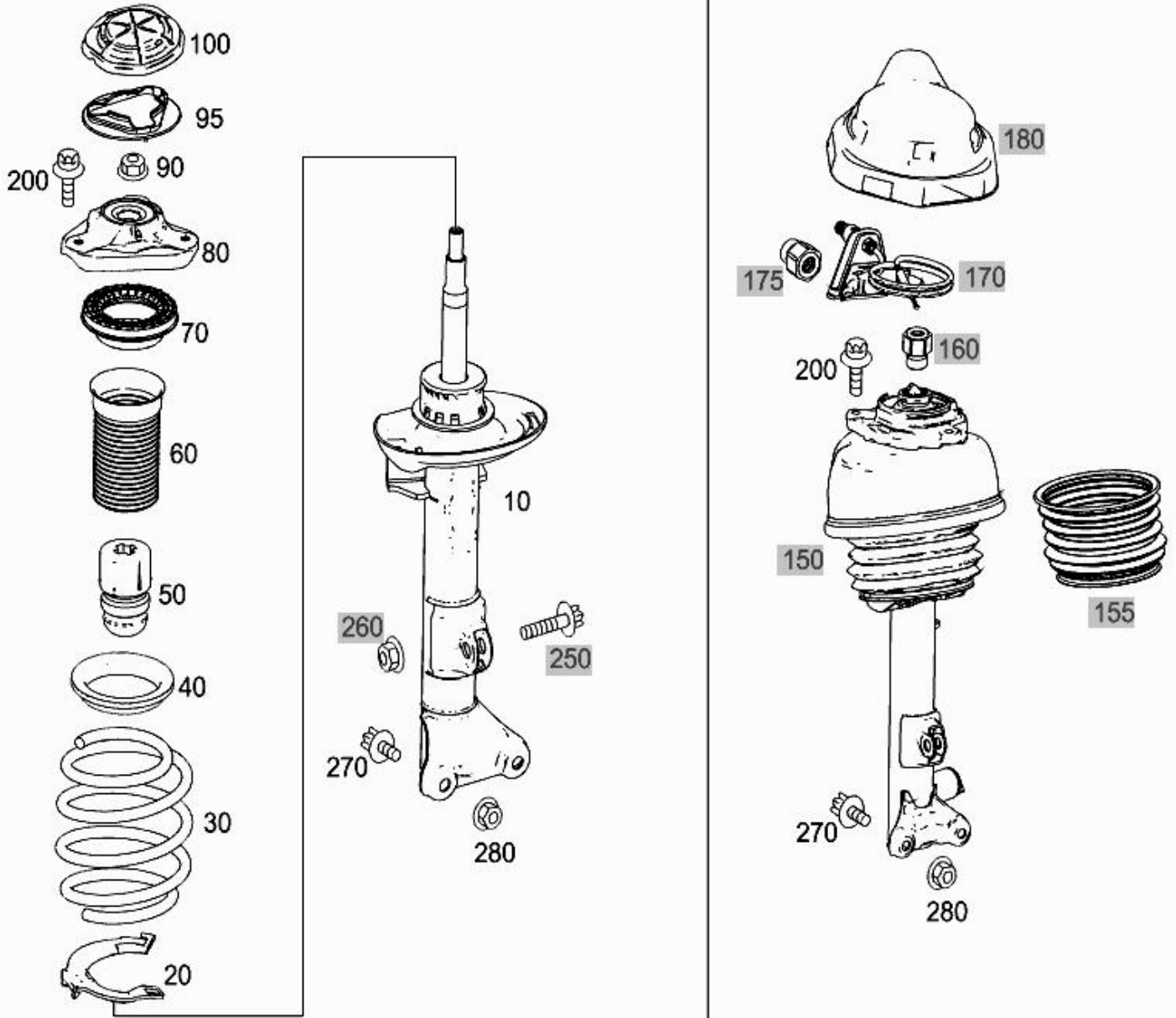


- Picture -


Mode MD mode
FIN/MD WDD 2120881A600278
VIN WDDHF8JB2CA600278
Sales designation E 350 4MATIC
Assortment class Car
Market North America
Picture number B32054000053.110518

Mod. des. overview E SEDAN
Catalog D04
Major assembly:
Major assembly MD
Group 32 - SPRINGS, SUSPENSION AND HYDRAULIC SYSTEM
Subgroup 054 - SPRING STRUT AND SPRING STRUT MOUNTING FRONT



- Parts list -

Mode	MD mode	Mod. des. overview	E SEDAN
FIN/MD	WDD 2120881A600278	Catalog	D04
VIN	WDDHF8JB2CA600278	Major assembly:	
Sales designation	E 350 4MATIC	Major assembly MD	
Assortment class	Car	Group	32 - SPRINGS, SUSPENSION AND HYDRAULIC SYSTEM
Market	North America	Subgroup	054 - SPRING STRUT AND SPRING STRUT MOUNTING FRONT

Item no.	Part number	Designation/description	Quantity	Version
10	A 212 323 59 00	SHOCK-ABSORBER STRUT FRONT LEFT AND RIGHT Code: -488-489+677	002	
20	A 212 322 00 84	SHIM BOTTOM LEFT & RIGHT Code: -488-489	002	
30	A 212 321 20 04	HELICAL SPRING COLOR CODING: 1 X VIOLET Code: 677  [002] UPON EXCHANGING SPRING, ALWAYS REPLACE LOWER SPRING SEAL	002	
40	A 212 322 02 84	COIL SPRING SHIM TOP LEFT AND RIGHT Code: -489	002	
50	A 212 321 07 06	ADDITIONAL SPRING Code: 677	002	
60	A 212 323 03 92	BOOT Code: -488-489	002	
70	A 204 981 00 25	BALL BEARING Code: -489	002	
80	A 212 323 00 20	STEP-BEARING SPRING STRUT TO BODY Code: -488-489	002	
90	N 000000 002597	NUT SHOCK ABSORBER TO UPPER BEARING BRACKET M14X1.5 Code: -488-489	002	
95	A 212 327 02 86	COVER LEFT AND RIGHT Code: -488-489	002	
100	A 172 323 01 38	DUST PROTECTION CAP ON SPRING TOWER Code: -488-489	002	
200	A 002 990 45 03	SCREW W RND. HEXAL. HEAD SPRING STRUT TO BODY M8X21	006	
270	A 001 990 75 03	BOLT SUSPENSION STRUT TO STEERING KNUCKLE M14X70	004	
280	A 001 990 84 54	NUT W FLANGE, BINDING SUSPENSION STRUT TO STEERING KNUCKLE M14X1.5	004	