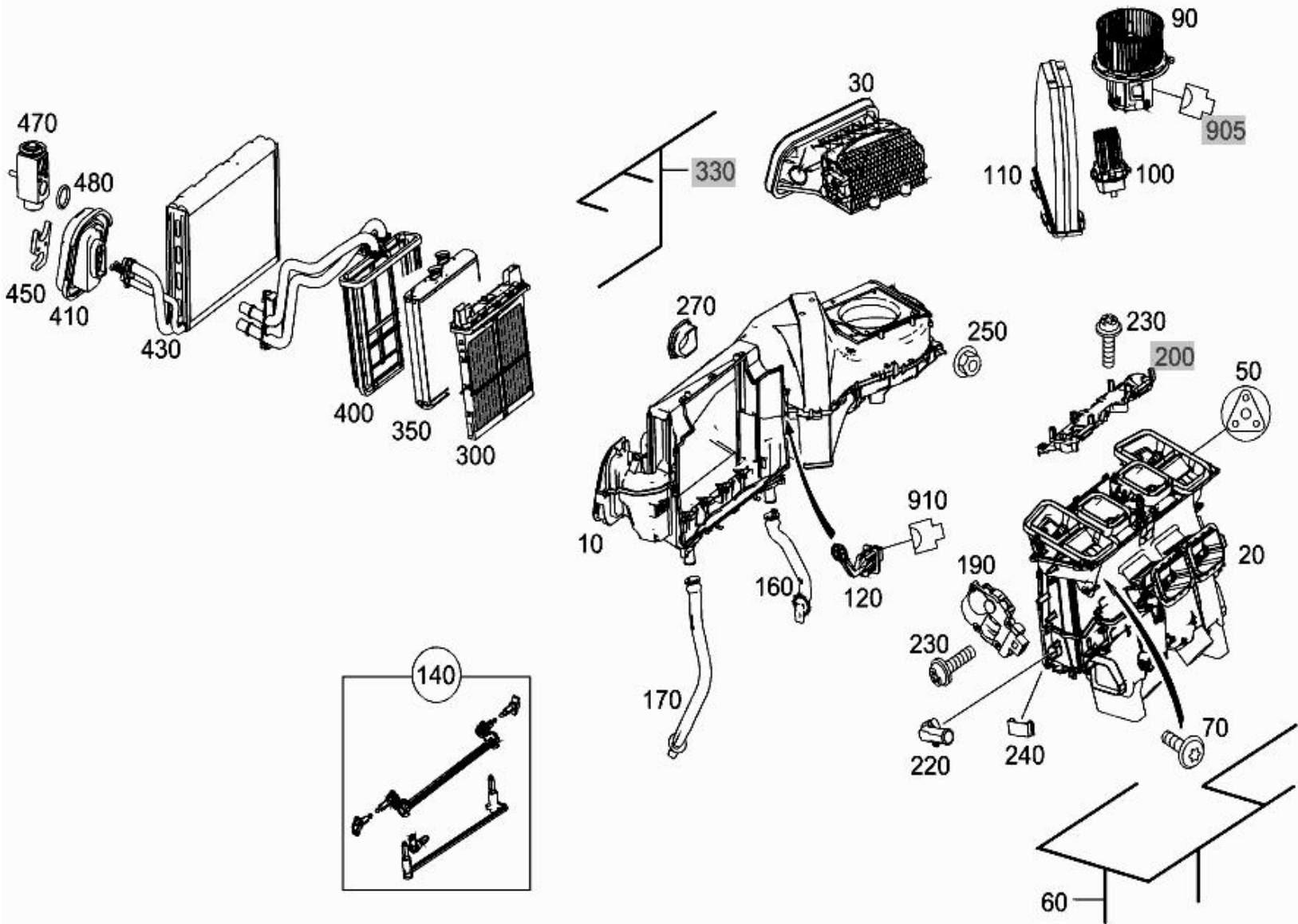


# - Picture -

<b>Mode</b>	MD mode	<b>Mod. des. overview</b>	E SEDAN
<b>FIN/MD</b>	WDD 2120881A600278	<b>Catalog</b>	D04
<b>VIN</b>	WDDHF8JB2CA600278	<b>Major assembly:</b>	
<b>Sales designation</b>	E 350 4MATIC	<b>Major assembly MD</b>	
<b>Assortment class</b>	Car	<b>Group</b>	83 - HEATING AND VENTILATION
<b>Market</b>	North America	<b>Subgroup</b>	035 - HEATER AND EVAPORATOR HOUSING WITH BLOWER AND WIRING HARNESS
<b>Picture number</b>	B83035000072.120801		



## - Parts list -

<b>Mode</b>	MD mode	<b>Mod. des. overview</b>	E SEDAN
<b>FIN/MD</b>	WDD 2120881A600278	<b>Catalog</b>	D04
<b>VIN</b>	WDDHF8JB2CA600278	<b>Major assembly:</b>	
<b>Sales designation</b>	E 350 4MATIC	<b>Major assembly MD</b>	
<b>Assortment class</b>	Car	<b>Group</b>	83 - HEATING AND VENTILATION
<b>Market</b>	North America	<b>Subgroup</b>	035 - HEATER AND EVAPORATOR HOUSING WITH BLOWER AND WIRING HARNESS

Item no.	Part number	Designation/description	Quantity	Version
10	A 204 830 35 03	<b>TS HOUSING AC HOUSING</b> UPPER AND LOWER HALVES Code: -800	001	L
20	A 212 830 07 03	<b>HOUSING</b> AIR CONDITIONER CASE Code: -581	001	L
30	A 204 830 25 03	<b>HOUSING</b> FRESH AIR/CIRCULATING AIR	001	L
50	A 204 831 00 98	<b>GASKET KIT</b>	001	
60	A 212 820 26 13	<b>ELECTRICAL WIRING HARNESS</b> AIR CONDITIONER CABLE HARNESS Code: -800	001	L
70	N 000000 003242	<b>PAN HEAD SCREW</b> EVAPORATOR HOUSING TO CROSSMEMBER M5X20	001	
90	A 212 820 07 08	<b>IMPELLER BLOWER</b> Code: -800	001	L
100	A 212 870 21 10	<b>BLOWER REGULATOR</b> Code: -800	001	
110	A 212 830 03 18	<b>COMBINATION FILTER</b> WITH COVER	001	
120	A 220 830 07 72	<b>TEMPERATURE SENSOR</b> EVAPORATOR	001	
140	A 204 830 01 33	<b>OPERATING LEVER</b> PARTS KIT	001	
160	A 204 830 06 96	<b>HOSE</b> CONDENSED WATER DRAIN,RIGHT	001	
170	A 212 830 15 96	<b>MOLDED HOSE</b> CONDENSED WATER DRAIN,LEFT	001	
190	A 221 906 69 00	<b>STEPPER MOTOR</b> SERVOMOTOR	005	
220	A 212 835 00 40	<b>VALVE</b> LEFT	001	
230	A 001 984 58 29	<b>HEXALOBULAR BOLT</b> AT AIR CONDITIONER CASE 4X16	042	
240	A 000 835 31 34	<b>SPRING</b> AT AIR CONDITIONER CASE	044	
250	N 910104 006001	<b>NUT-AND-WASHER ASSEMBLY</b> EVAPORATOR HOUSING TO CROSSMEMBER M6	003	
270	A 221 835 02 93	<b>GROMMET</b> HEATER CASE TO FIRE WALL	002	
300	A 212 834 00 60	<b>COVER</b> FOR HEATER BOOSTER OPENING	001	
350	A 204 830 00 61	<b>HEAT EXCHANGER</b>	001	
400	A 204 830 15 15	<b>PIPELINE</b> PARTS KIT	001	L
410	A 204 835 02 98	<b>SEAL</b> FIRE WALL	001	L
430	A 204 830 00 58	<b>EVAPORATOR</b>	001	L
450	A 451 830 00 11	<b>RETAINING PLATE</b> VALVE	001	
470	A 212 830 02 84	<b>VALVE</b> EXPANSION VALVE	001	L
480	A 140 997 09 45	<b>O-RING</b> ON SUCTION SIDE 17X2 MM	001	

480	A 140 997 07 45	. O-RING ON DELIVERY SIDE 10.6X2	001
910	A 032 545 19 28	<b>PLUG HOUSING</b> EVAPORATOR TEMPERATURE SENSOR 2-PIN MQS;B10/6	001