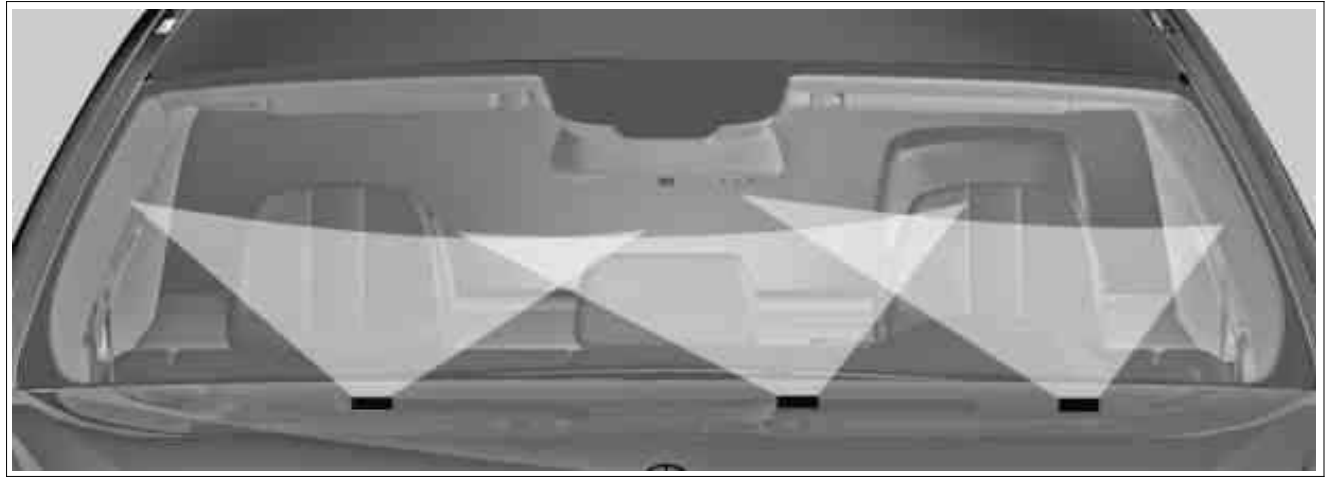


Document title Windshield wipers, windshield washer system and headlamp cleaning system - function check

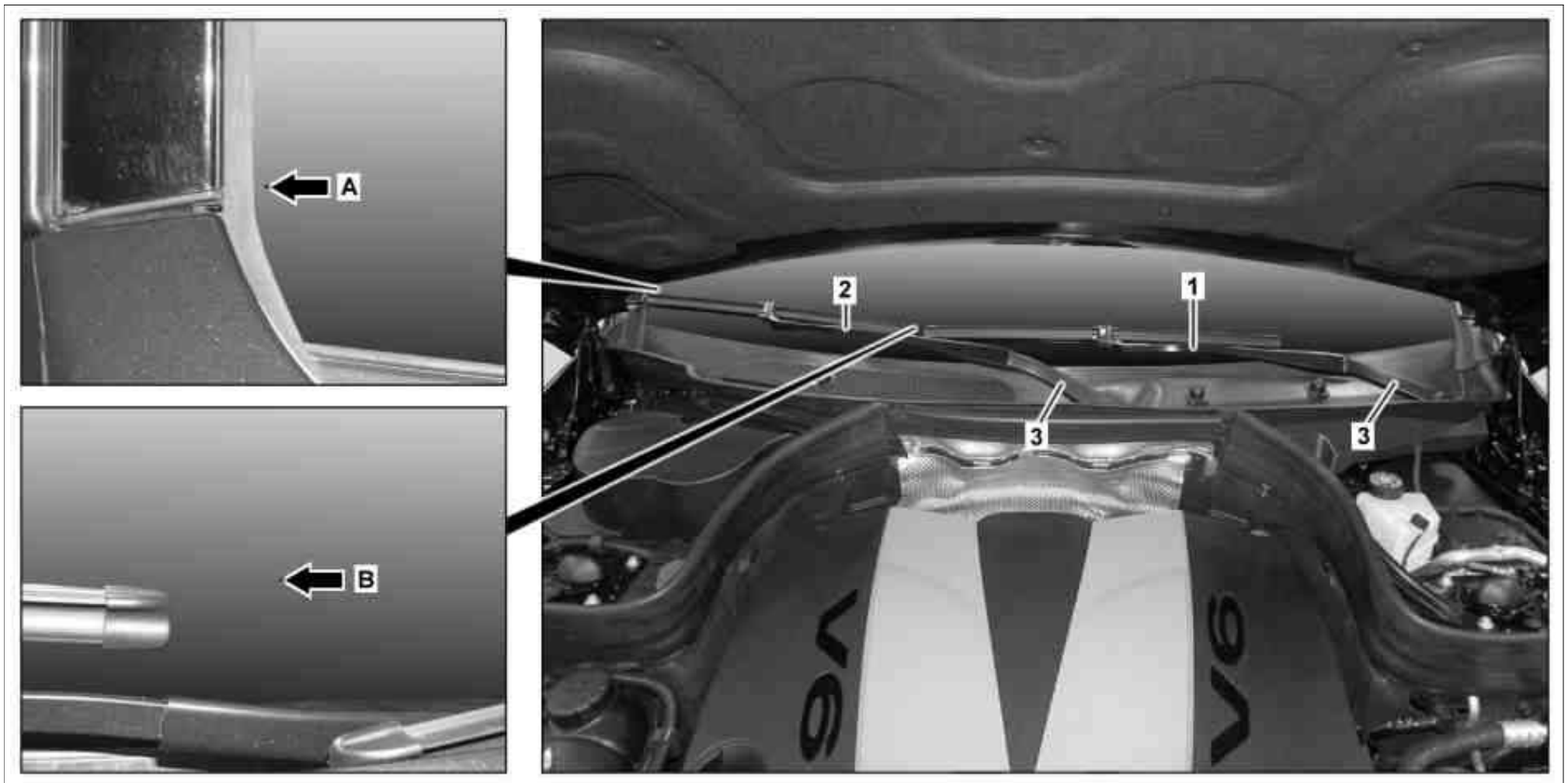
Document number ap8230p8252ew

Model 207, 212, 218

Show on model 212.002



P82.35-2627-04



P82.30-2856-09


Park position of wiper arms, shown on model 204.9

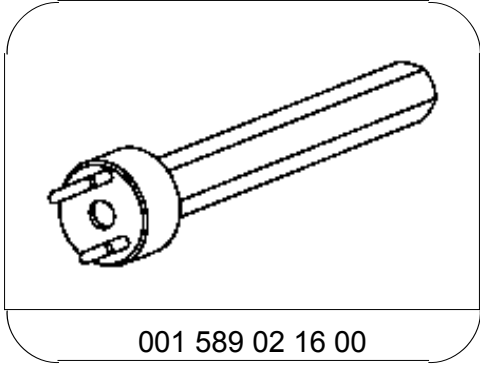
- 1 Left wiper arm
- 2 Right wiper arm

- Pfeil A Markings for park position of right wiper blade on windshield
- Pfeil B Markings for park position of left wiper blade on windshield

☐	Check		
	<p>Risk of fire and explosion caused by ignition of window washing fluid or antifreeze and their vapors. Risk of poisoning caused by swallowing window washing fluid or antifreeze or inhaling their vapors. Risk of injury or physical irritations caused by contact of window washing fluid or antifreeze with eyes, mucous membranes or skin.</p>	<p>Wear protective clothing and tight-fitting safety glasses. No open flames, fire or ignition sources. Avoid contact with eyes, mucous membranes and skin. When working with window washing fluids or antifreeze, do not eat, drink, or smoke. Do not inhale vapors and ensure sufficient ventilation in the working area. Store window washing fluid and antifreeze leakfree in safely closed original containers and out of the reach of children.</p>	<p>AS82.35-Z-0001-01A</p>
	<p>Injury hazard from pinching and crushing, in extreme cases extremities can even be cut off when caught in windshield wiper mechanism.</p>	<p>When working on the windshield wiper mechanism, always switch off the ignition and store transmitter key outside of transmission range (at least 2 m).</p>	<p>AS82.30-Z-0001-01A</p>
<p>1 → AR</p>	<p>Close engine hood</p>	<p>Model 207, 212, 218 Model 207, 212</p>	<p>AR88.40-P-1000EW</p>

		<p>i Model 207, 212 with code U60 (Active Bonnet (Pedestrian protection)) The clamping lever must be fitted and locked.</p>	
2	Close liftgate, doors, sliding roof and side windows		
3	Switch on ignition		
4	Check function of spray nozzles for windshield washer system on windshield and the setting	<p>i The spray jet must hit the windshield in the marked area. Correct the adjustment if necessary.</p> <p>🔧 Adjustment tool</p> <p>For clogged up spray nozzle: ↓ Clean spray nozzle using suitable needle and/or blow out with compressed air from inside out or replace spray nozzle subject to separate invoice.</p>	<p>AP82.35-P-8252-01EW</p> <p>*001589021600</p>
5	Check function of spray nozzles for windshield washer system on rear window and the setting	<p>Model 212.2, 218.9</p> <p>i Spray jet must spread out across the center of the rear window. Correct setting if necessary. For spray nozzles that cannot be adjusted and with a deviating spray pattern: ↓ Replace spray nozzle subject to separate repair order.</p> <p>For clogged up spray nozzle: ↓ Clean spray nozzle using suitable needle and/or blow out with compressed air from inside out or replace spray nozzle subject to separate invoice.</p>	
6	Check park position of wiper blades	<p>i The ends of the wiper blades should be positioned on the "A" and "B" markings (see arrows) on the windshield and may be offset downward or upward by a maximum of 10 mm. In the event of any deviation to the park position: ↓ Check and adjust wiper arms subject to separate repair order.</p>	
7	Check setting of wiper arms on windshield	<p>⚠ The wiper blades must not come into contact with the A-pillar or cowl. The body or wiper mechanism will otherwise be damaged.</p> <p>i Spray water over the windshield washer system on the windshield and switch on wiper at highest setting. If there are problems: ↓ Determine and rectify cause, subject to separate repair order.</p> <p>Service Information Bulletin: Wiper blades Model 212</p>	<p>SI82.30-P-0011B</p>
8	Check setting of wiper arm on rear window	<p>Model 212.2, 218.9</p> <p>⚠ Wiper blade must not contact the rear-end door. Otherwise the rear-end door or the wiper mechanism may be damaged.</p> <p>i Spray water over the windshield washer system on the rear window and switch on wiper at highest setting. If there are problems: ↓ Determine and rectify cause, subject to separate repair order.</p>	
9	Switch on low beam	<p>i Vehicles with xenon headlamps or with code (600) Headlamp cleaning system.</p>	
10	Check spray nozzles of headlamp cleaning system for proper operation and setting	<p>i Vehicles with xenon headlamps or with code (600) Headlamp cleaning system. Repeatedly operate windshield washer system for windshield until the headlamp cleaning system is activated. The spray jet must impact in the light source area on the headlamp lens. Correct setting if necessary.</p> <p>For clogged up spray nozzle: ↓</p>	

		<p>Clean spray nozzle using suitable needle and/or blow out with compressed air from inside out or replace spray nozzle subject to separate invoice.</p> <p>For spray nozzles that cannot be adjusted and with a deviating spray pattern:</p> <p style="text-align: center;">↓</p> <p>Replace spray nozzle subject to separate repair order.</p>	
11	Switch off ignition and low beams		
12	Correct the fluid level in the windshield washer system reservoir	<p> Only for service A with Plus package</p>	AP82.35-P-8210EW



001 589 02 16 00

Adjustment tool