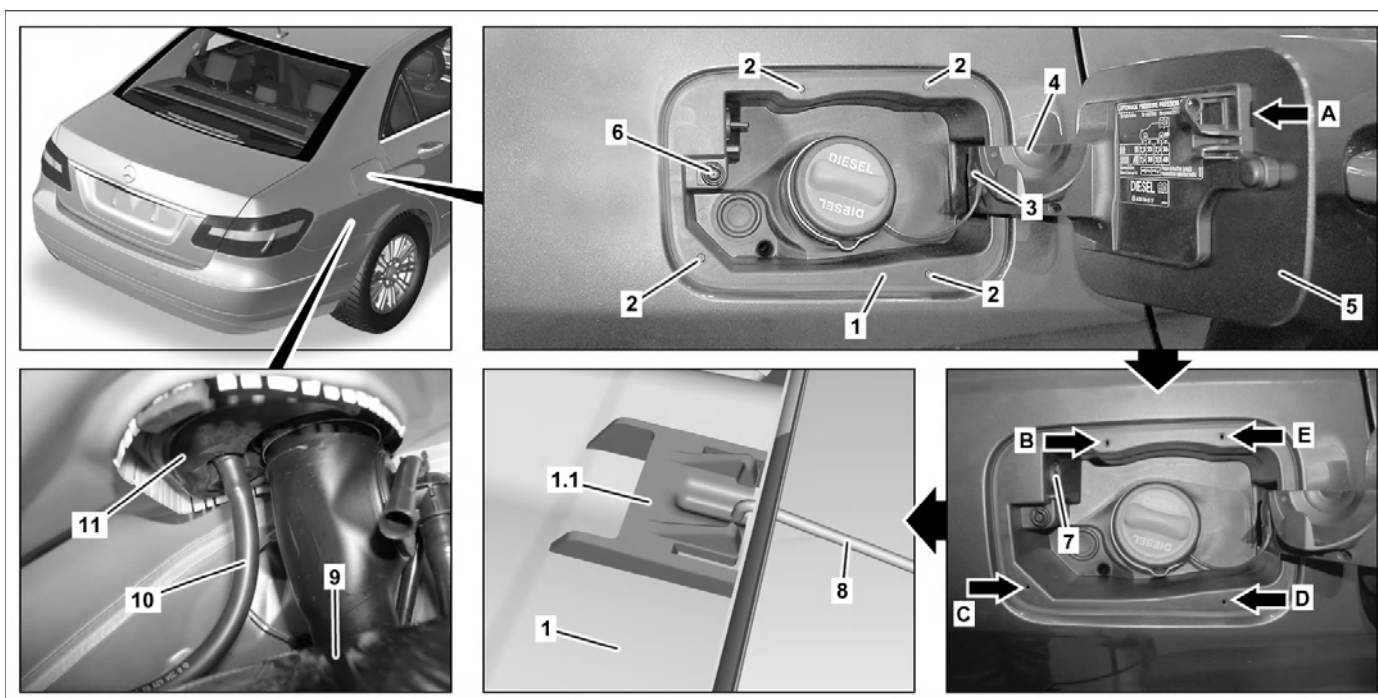


MODEL 204.3, 207, 212, 218



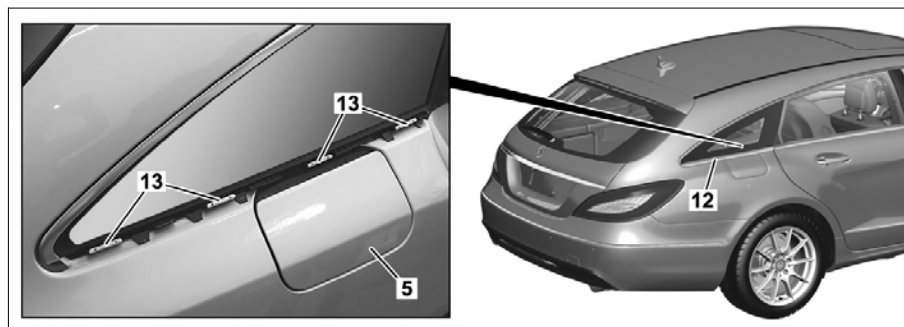
P88.60-2335-09

Shown on model 212.0

- | | | | | | |
|-----|----------------|---|----------------------------|----|----------------------|
| 1 | Tank recess | 4 | Hinge | 8 | Extraction hook |
| 1.1 | Catch hook | 5 | Fuel filler flap | 9 | Rear fender paneling |
| 2 | Rubber plug | 6 | Spring element | 10 | Drain hose |
| 3 | Expansion clip | 7 | Central locking bolt guide | 11 | Rubber seal |

Shown on model 218.9

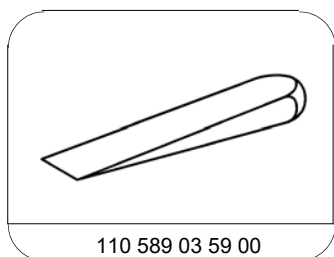
- 5 Fuel filler flap
- 12 Trim strip
- 13 Clips



P88.60-2365-04

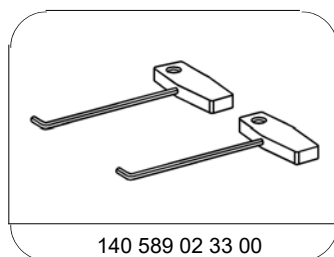
☒	Remove		
⚠ Danger!	Risk of death caused by vehicle slipping or toppling off of the lifting platform.	Align vehicle between vehicle lift columns and position the four support plates at the vehicle lift support points specified by vehicle manufacturer.	AS00.00-Z-0010-01A
1	Raise vehicle with vehicle lift		
2	Loosen rear fender paneling (9) from bumper down to below tank recess (1) and lift out of rear fender and bumper using assembly wedge	☑ Mounting wedge	*110589035900
3	Remove trim strip (12)	MODEL 218.9 ⚠ For this purpose open rear door and carefully push trim strip (12) toward front (in direction of rear-end door). Otherwise the trim strip (12) can bend or the vehicle paint damaged	

		i Check clips (13) for damage, replace if necessary.	
4	Remove drain hose (10) from tank recess (1)		
5	Unlock fuel filler flap (5) on catch hook (arrow A) and remove from hinge (4)		
6	Remove expansion clip (3)		
7	Remove rubber plug (2)		
8	Turn central locking bolt guide (7) 90° and remove		
9	Disengage catch hook (1.1) behind release hole (arrow E) with extraction hook (8) and simultaneously pull hinge (4). Then perform procedure on release hole (arrow D, arrow B and arrow C)	i S Insert extraction hook (8) into release hole (arrows B to F) only until catch hooks (1.1) can be disengaged. S Extraction hook	*140589023300
10	Coat sealing lip on tank recess (1) with lubricant and install over tank flap	i Carefully put sealing lip on tank recess (1) over tank cap. Otherwise the sealing lip can tear. Lubricant, rubber assembly 1 l	*BR00.45-Z-1010-06A
11	Remove tank recess (1)		
X	Install		
12	Install rubber plug (2) in tank recess (1)		
13	Coat sealing lip on tank recess (1) with liquid lubricant and clip tank recess (1) into rear fender	i Carefully put sealing lip on tank recess (1) over tank cap. Otherwise the sealing lip can tear. Lubricant, rubber assembly 1 l	BR00.45-Z-1010-06A
14	Insert central locking bolt guide (7) and turn 90°		
15	Install expansion clip (3)		
16	Install fuel filler flap (5) on hinge (4)		
17	Guide rubber seal (11) over connection fittings on drain hose (10)	i Ensure that rubber seal (11) is seated correctly.	
18	Clip in trim strip (12)	MODEL 218.9 i Carefully clip in trim strip (12). Otherwise trim strip (12) can be bent. i If necessary, remove clips (13) remaining in trim strip (12) from trim strip (12) and install at corresponding point on vehicle. Previously check clips (13) for damage, replace if necessary.	
19	Install drain hose (10) on connection fitting		
20	Fasten rear fender paneling (9)		
21	Lower vehicle with vehicle lift		



110 589 03 59 00

Mounting wedge



140 589 02 33 00

Extraction hook

Repair materials

Number	Designation	Order number
BR00.45-Z-1010-06A	Lubricant, rubber assembly 1 l	A 000 989 03 67