

Document number: pe54.21-p-2108-97dag

Document title: Wiring diagram / rear SAM control unit with fuse and relay module (N10/2)

Code:	Designation:	Position:
A0	Color code key	88L
A6	Stationary heater unit	26L
A76	Left front reversible emergency tensioning retractor	59L
A76/1	Right front reversible emergency tensioning retractor	55L
C3/1	Rear window interference suppression capacitor 1	36L
C3/2	Rear window interference suppression capacitor 1	42L
C3/2x1	Rear window interference suppression capacitor 2	39L
C3/2x1	Rear window interference suppression capacitor 2	45L
Code 4U7	Rear window interference suppression capacitor 2 electrical connector	39H
Code B03	Rear window interference suppression capacitor 2 electrical connector	45H
Code B03	Start/stop voltage dip protection	1G
F32	ECO start/stop function	1G
F32f158	Front electrical pretfuse box	8G
F32f163	Prefuse 158	4L
F32f164	Prefuse 163	2K
F33	Prefuse 164	2K
F33f172	Rear pretfuse box	6K
F97	Prefuse 172	13L
M24	Rear SAM control unit with fuse and relay module circuit 30 fuse	11K
M50/1	Rear window roller sun blind motor	9J
M50/1b1	Left cargo area cover actuator motor	52L
M50/1m1	Left cargo area cover Hall sensor	64L
M50/1x1	Left cargo area cover drive motor	64L
M50/2	Left cargo area cover actuator motor electrical connector	63L
M50/2b1	Right cargo area cover actuator motor	62J
M50/2m1	Right cargo area cover Hall sensor	77L
M50/2s1	Right cargo area cover drive motor	77L
M50/2x1	Right cargo area cover limit switch	76L
N10/2	Right cargo area cover actuator motor electrical connector	75L
N10/2	Rear SAM control unit with fuse and relay module	74J
N10/2	Rear SAM control unit with fuse and relay module	4A
N10/2	Rear SAM control unit with fuse and relay module	12A
N10/2	Rear SAM control unit with fuse and relay module	21A
N10/2	Rear SAM control unit with fuse and relay module	29A
N10/2	Rear SAM control unit with fuse and relay module	37A
N10/2	Rear SAM control unit with fuse and relay module	45A
N10/2	Rear SAM control unit with fuse and relay module	53A
N10/2	Rear SAM control unit with fuse and relay module	61A
N10/2	Rear SAM control unit with fuse and relay module	69A

Document number: pe54.21-p-2108-97dag

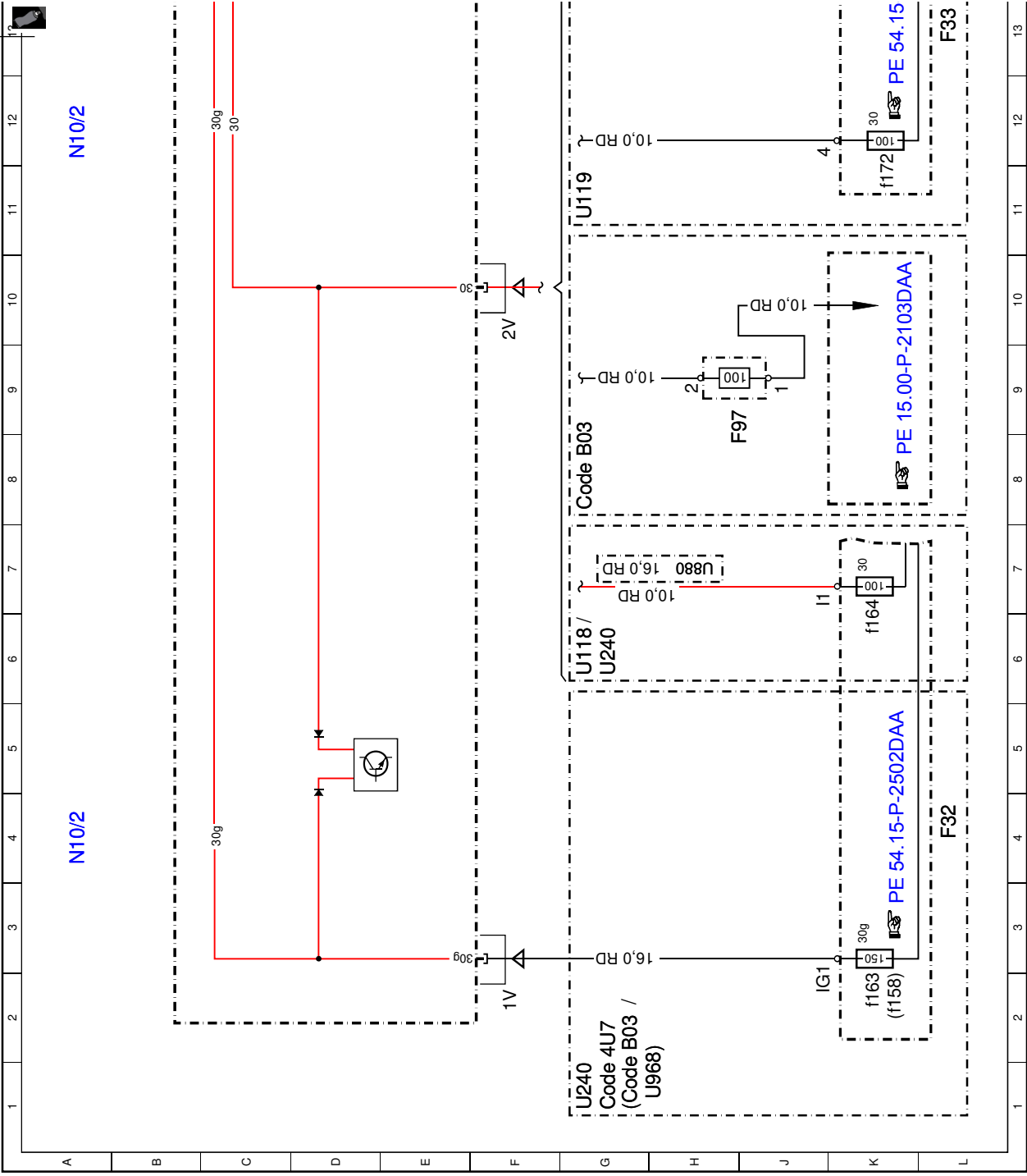
Document title: Wiring diagram / rear SAM control unit with fuse and relay module (N10/2)

Code:	Designation:	Position:
N10/2	Rear SAM control unit with fuse and relay module	77A
N10/2	Rear SAM control unit with fuse and relay module	82A
N10/2f49	Fuse 49	48A
N10/2f50	Fuse 50	55A
N10/2f51	Fuse 51	59A
N10/2f67	Fuse 67	17A
N10/2f69	Fuse 69	18A
N10/2f70	Fuse 70	32A
N10/2f73	Fuse 73	27A
N10/2kC	Heated rear window relay	40A
N145	Transmission mode control unit	22L
N88	Tire pressure monitor control unit	33L
R1	Rear window heater	38L
R1	Rear window heater	43L
U118	Valid for front battery	6G
U119	Valid for rear battery	11G
U12	Valid for left-hand drive vehicles	28G
U13	Valid for right-hand drive vehicles	28G
U165	Valid for AMG	20G
U21	Valid for heated seats	46J
U240	Valid for all except ECO start/stop function	1G
U240	Valid for all except ECO start/stop function	6G
U46	Valid for rear window roller sun blind	50G
U57	Valid for model 212.2	41G
U579	Valid for model 212.2	61G
U58	Valid for stationary heater	24G
U645	Valid for model 212.0/1	35G
U775	Valid for tire pressure monitor	31G
U880	Valid for emergency tensioning retractor	54G
U90	Valid for diesel engine 642	7H
U968	Valid for sound system	16G
W13/1	Valid for mild hybrid drive	1H
W13/2	Ground point (left rear window heater)	35H
W15/1	Ground point (right rear window heater)	40H
W15/2	Right footwell ground point	30G
W48	Left footwell ground point	30G
W48	Left rear roof frame ground point	41H
W7	Left rear roof frame ground point	74L
	Right rear wheel well ground point	15H

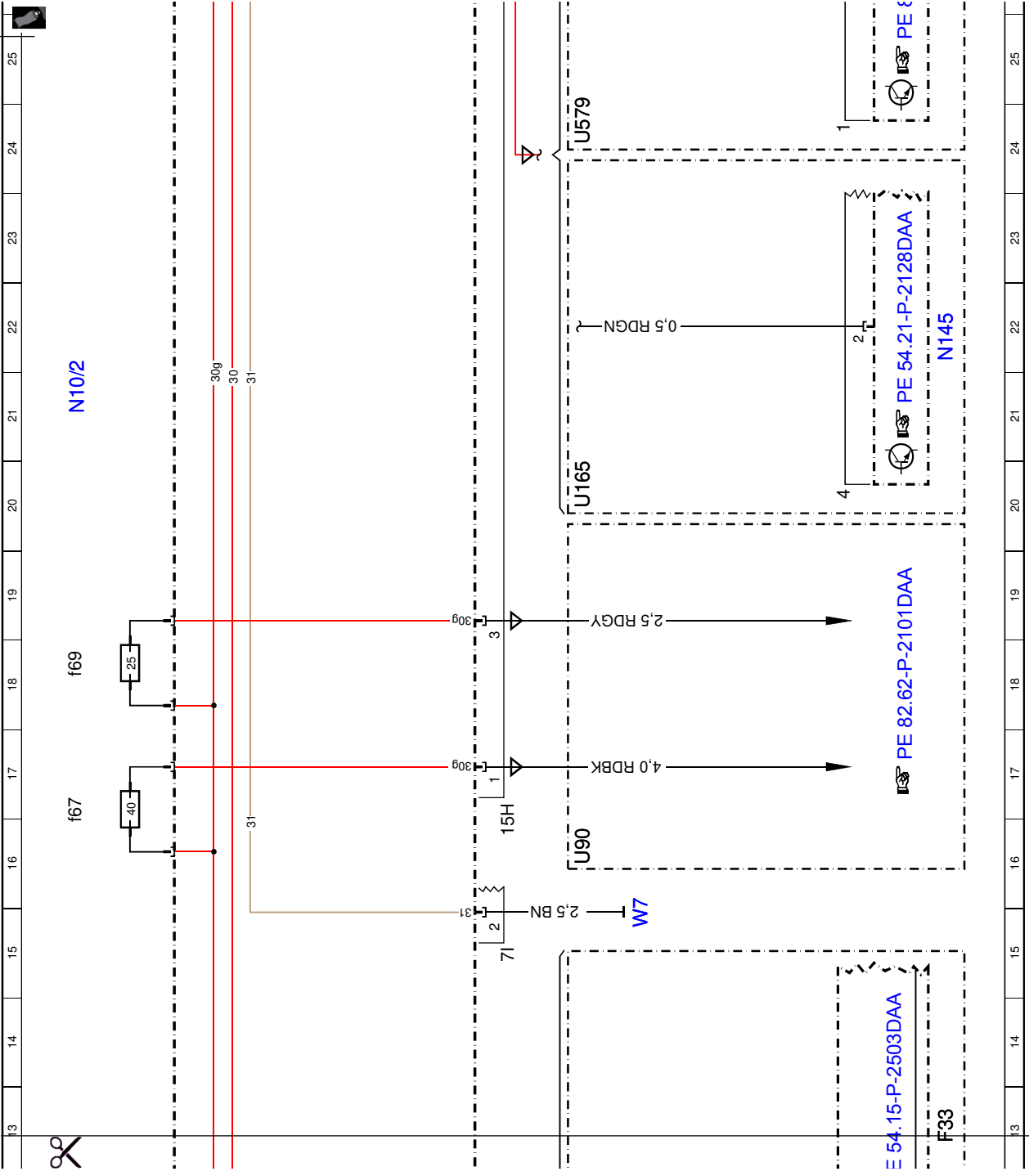
Document number: pe54.21-p-2108-97dag

Document title: Wiring diagram / rear SAM control unit with fuse and relay module (N10/2)

Code:	Designation:	Position:
X1/60	Tire pressure monitor electrical connector	32J
X11/4	Diagnostic connector	29L
X19/3	Rear window roller sun blind motor electrical connector	50J
X8/46	Right vehicle interior and tailgate electrical connector	69J
X8/46	Right vehicle interior and tailgate electrical connector	67J
X8/46	Right vehicle interior and tailgate electrical connector	82J
X8/46	Right vehicle interior and tailgate electrical connector	80J
X8/47	Left and right liftgate electrical connector	72J
Z6/128	Circuit 31 connector sleeve	73J



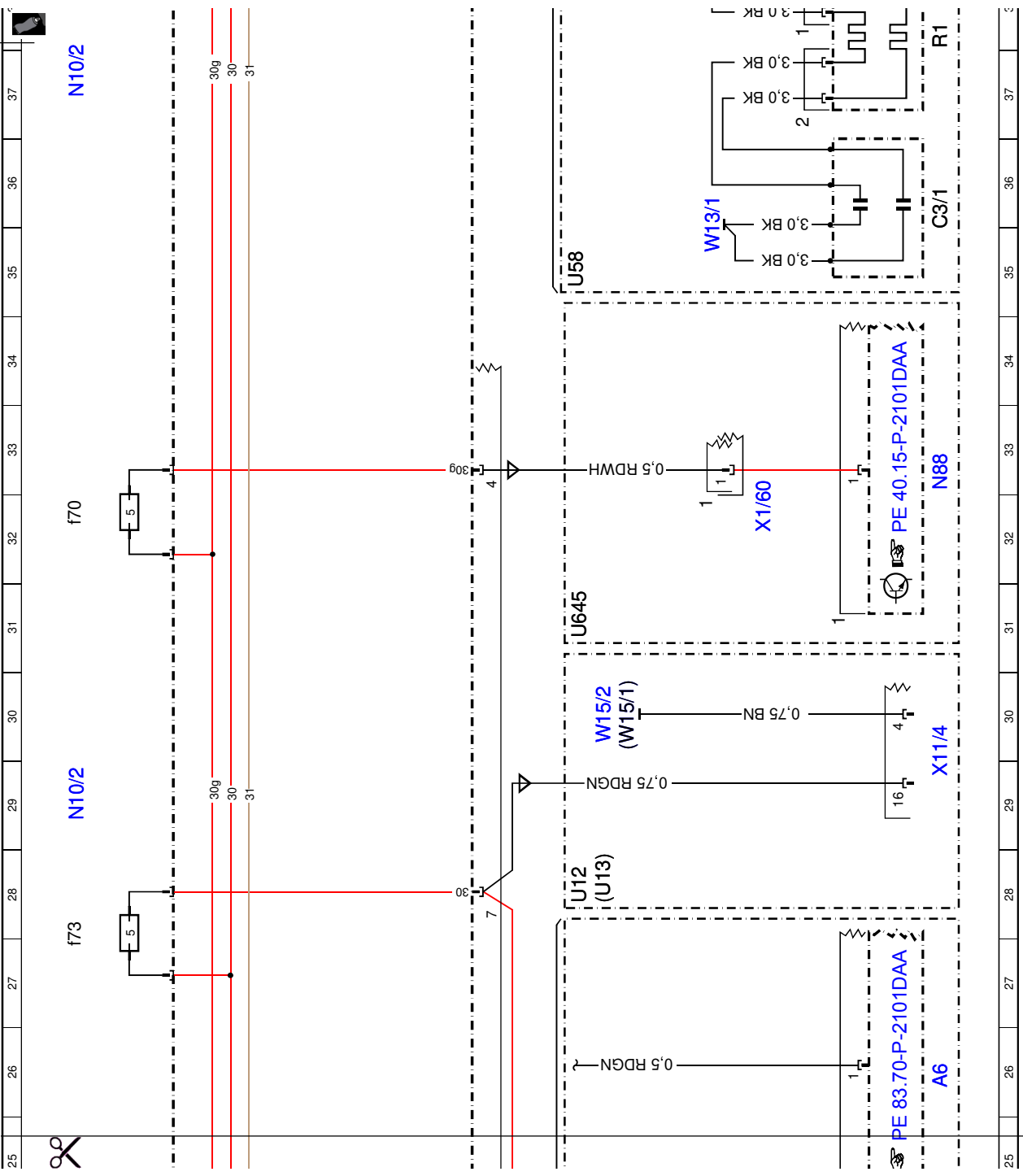
▼ Affix page 2 here ▼



N10/2

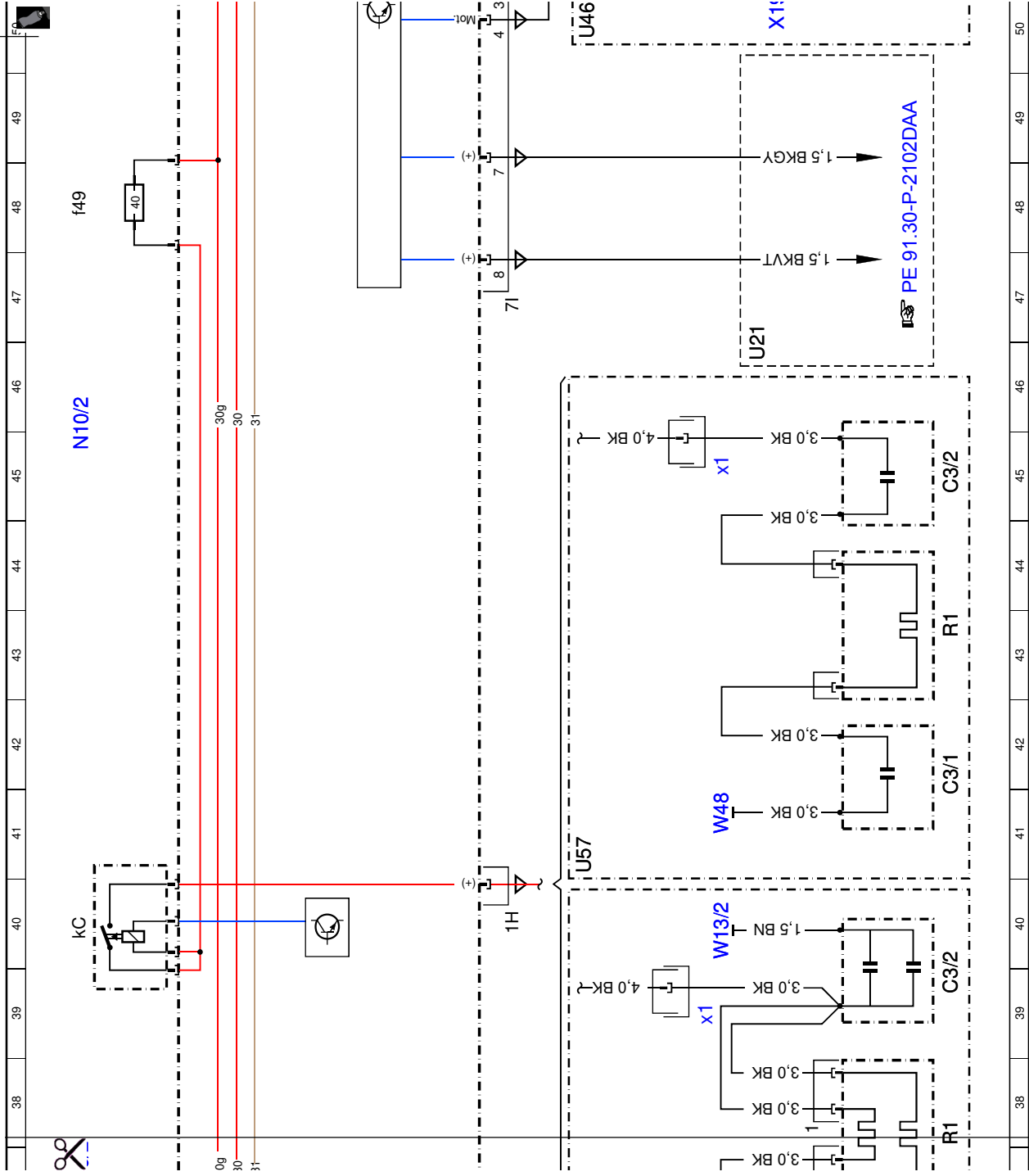
Cut here

▼ Affix page 3 here ▼



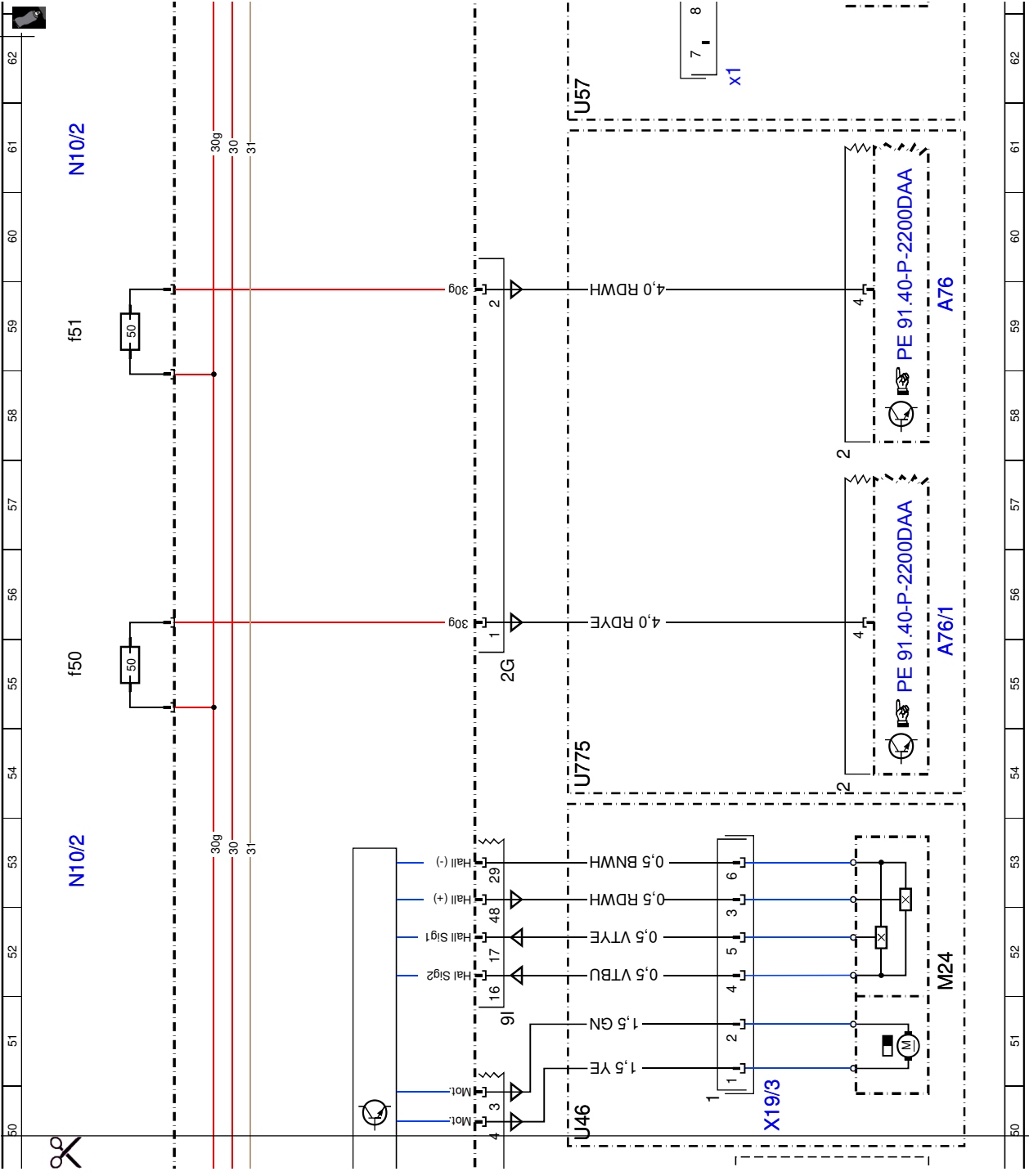
▼ Affix page 4 here ▼

Cut here



▼ Affix page 5 here ▼

Cut here



▼ Affix page 6 here ▼

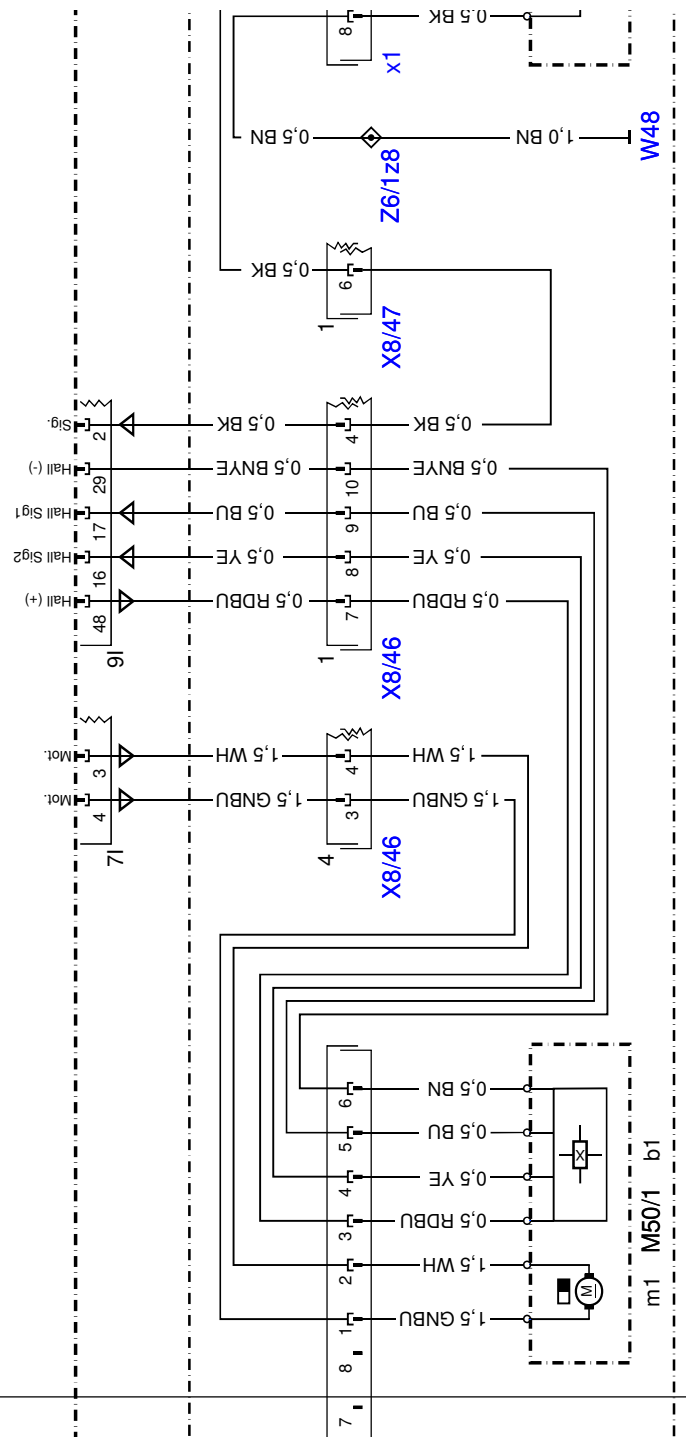
Cut here

62	63	64	65	66	67	68	69	70	71	72	73	74
----	----	----	----	----	----	----	----	----	----	----	----	----



N10/2

30g
30
31



62	63	64	65	66	67	68	69	70	71	72	73	74
----	----	----	----	----	----	----	----	----	----	----	----	----

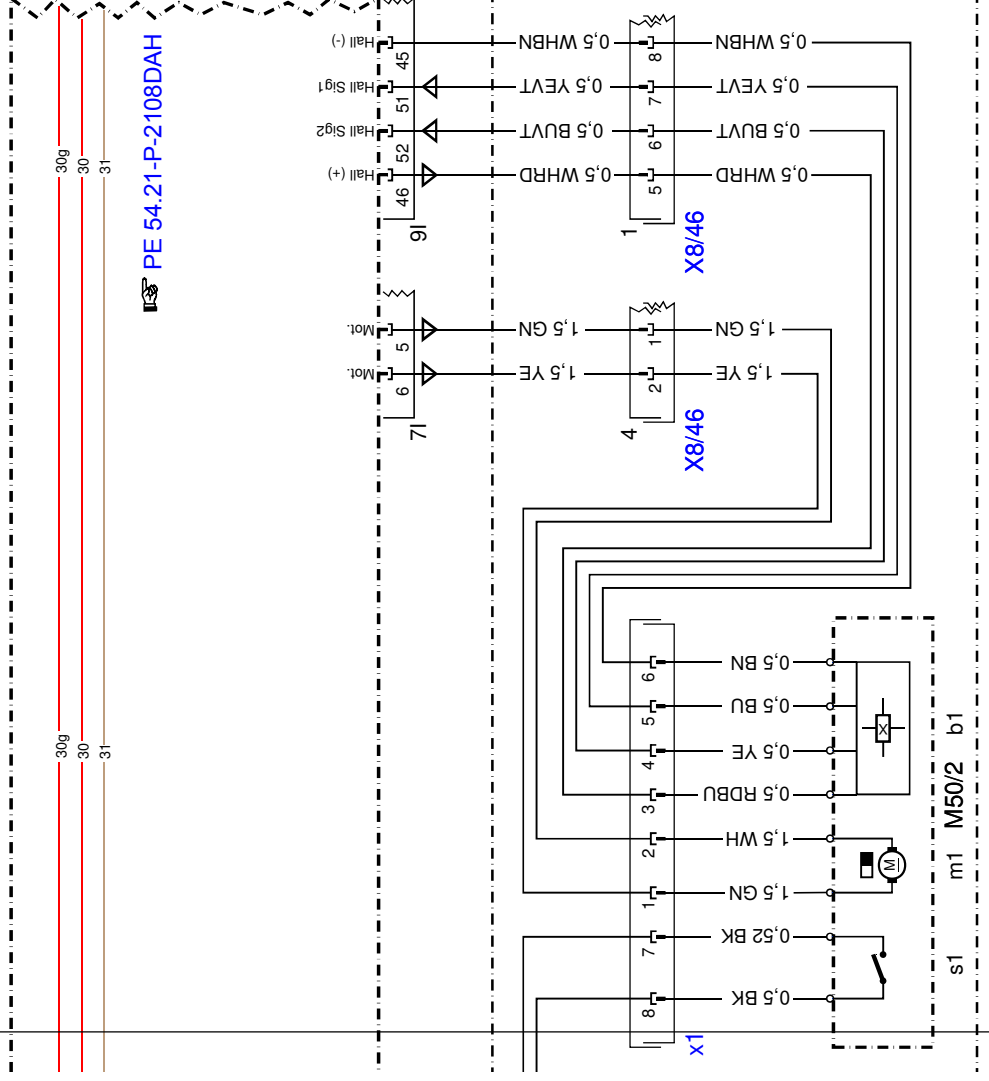
Cut here

▼ Affix page 7 here ▼



N10/2

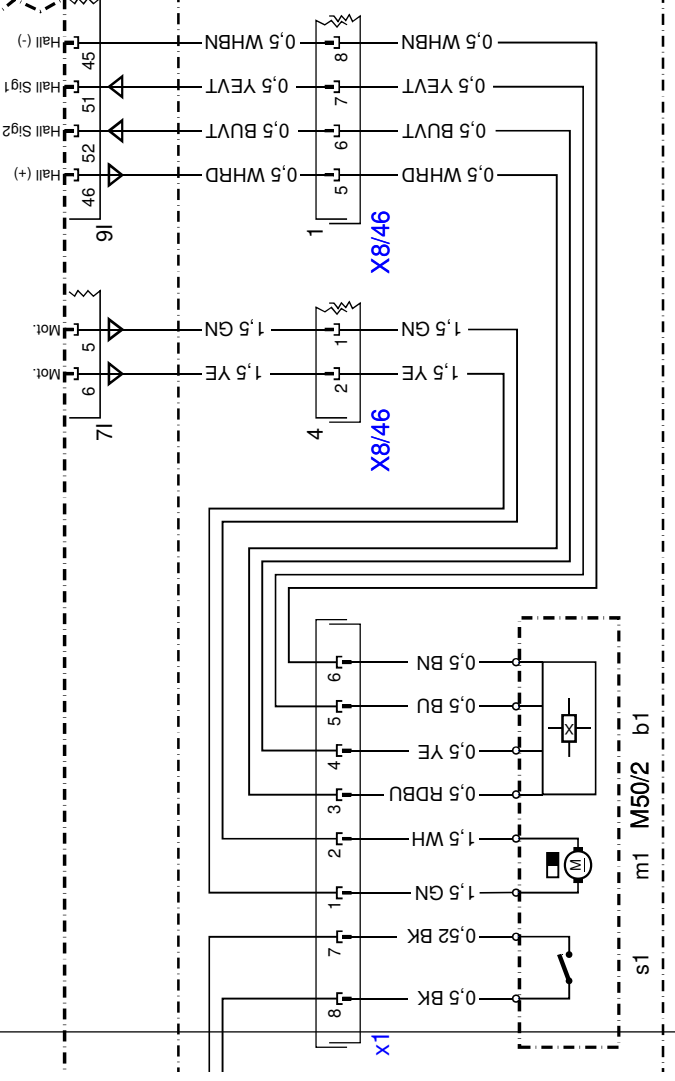
N10/2



30g
30
31

30g
30
31

PE 54.21-P-2108DAH



Cut here

▼ Affix page 8 here ▼

