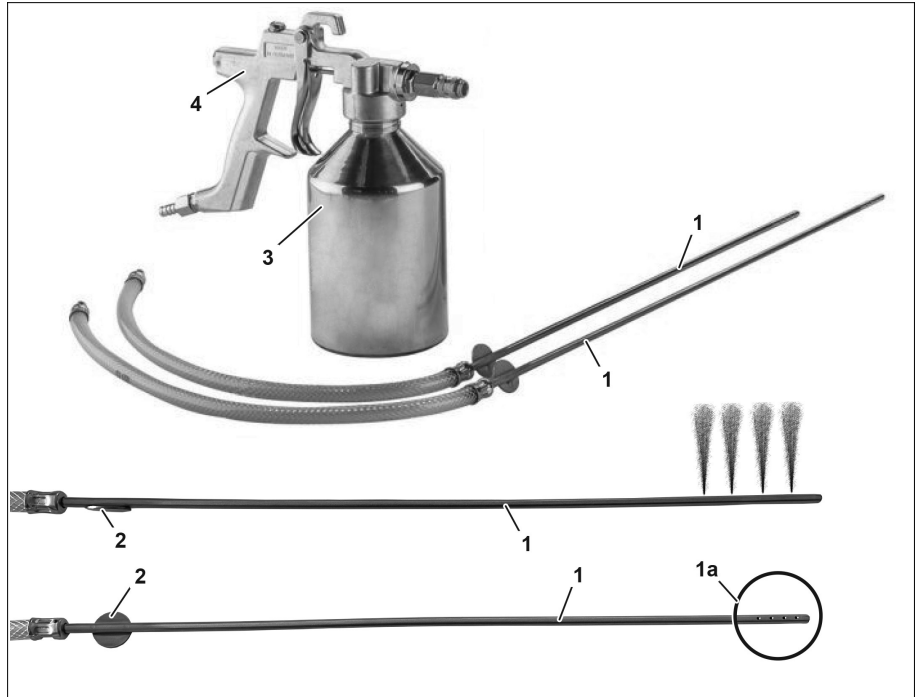


Model 117, 118, 156, 167, 176, 177, 190, 206, 217, 221, 222, 223, 230, 231, 240, 242, 243, 246, 247
Model 164, 166, 171, 172, 203, 204, 205, 207, 209, 210, 211, 212, 213, 216, 218, 219, 238, 253, 257, 290, 292, 293, 297
 with code 581 (Automatic air conditioning)

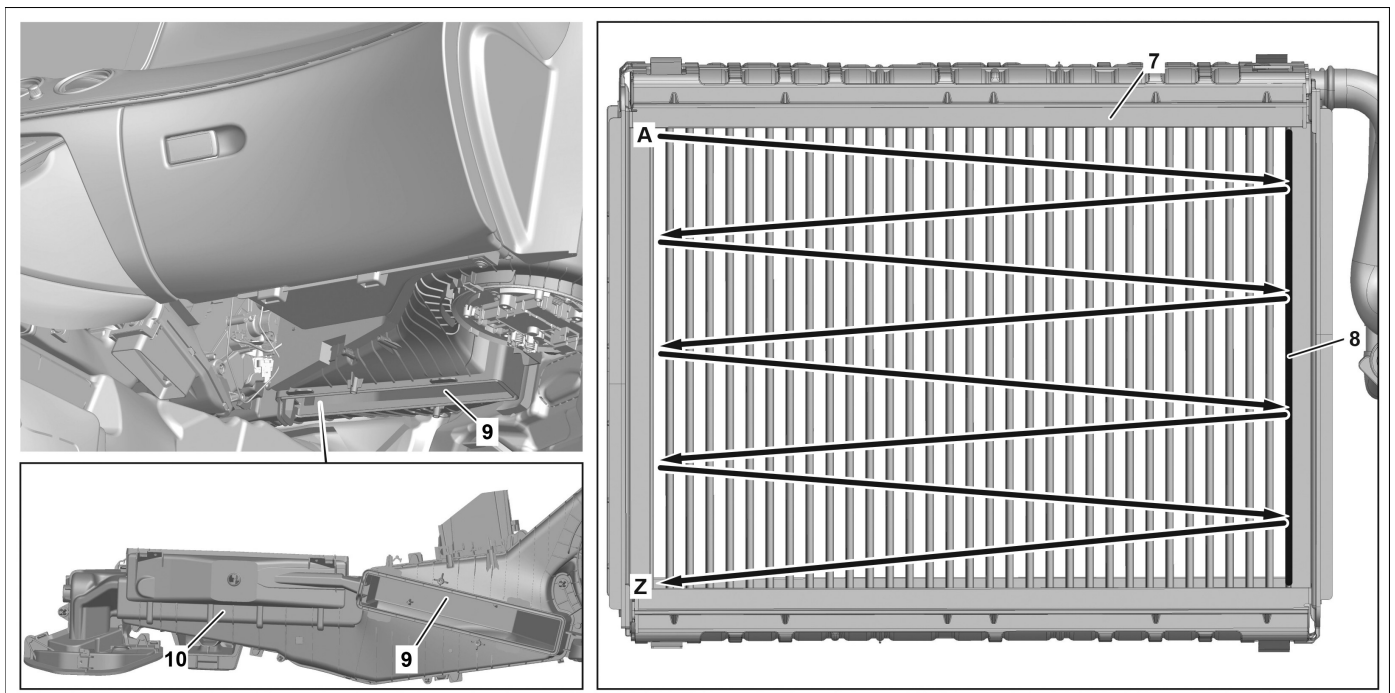
Repair materials

Number	Designation	Order number
BR00.45-Z-1081-04A	Pressure-feed spray gun with 2 cleaning probes (short and long) for A/C systems	A 000 581 00 04



P83.30-A112-06

Shown on model 213



P83.30-A106-09

1 Insert probe (1) of pressure-feed spray gun (4) with container (3) through the opening (9) of the activated charcoal particle filter into the evaporator housing (10).

2 Put thumb on guide pulley (2).

i This determines the spray direction.

i The spray bores (1a) are located opposite the guide pulley (2).

3 Operate pressure-feed spray gun (4), then distribute the cleaner, as shown, from (A) to (Z) through uniform movements of the probe (1) up to the end stop (8) over the entire surface of the evaporator (7).

i Only the cleaner approved by Daimler AG may be used: <https://xentryportal.mercedes-benz.com>

i Use entire content of cleaner.

i Observe the cleaner's exposure time.