

- Parts list -

Vehicle	WDD2120471A433653 (D02)	E 250 CGI / E 250	
Color	650 - CALCITWEISS - UNILACK	Equipment	701 - LEDERKOMBINATION - SCHWARZ / ANTHRAZIT
Assortment class	PC	Group	05 ENGINE TIMING
Sub-group	010 CAMSHAFT BEARING HOUSING AND CAMSHAFT		

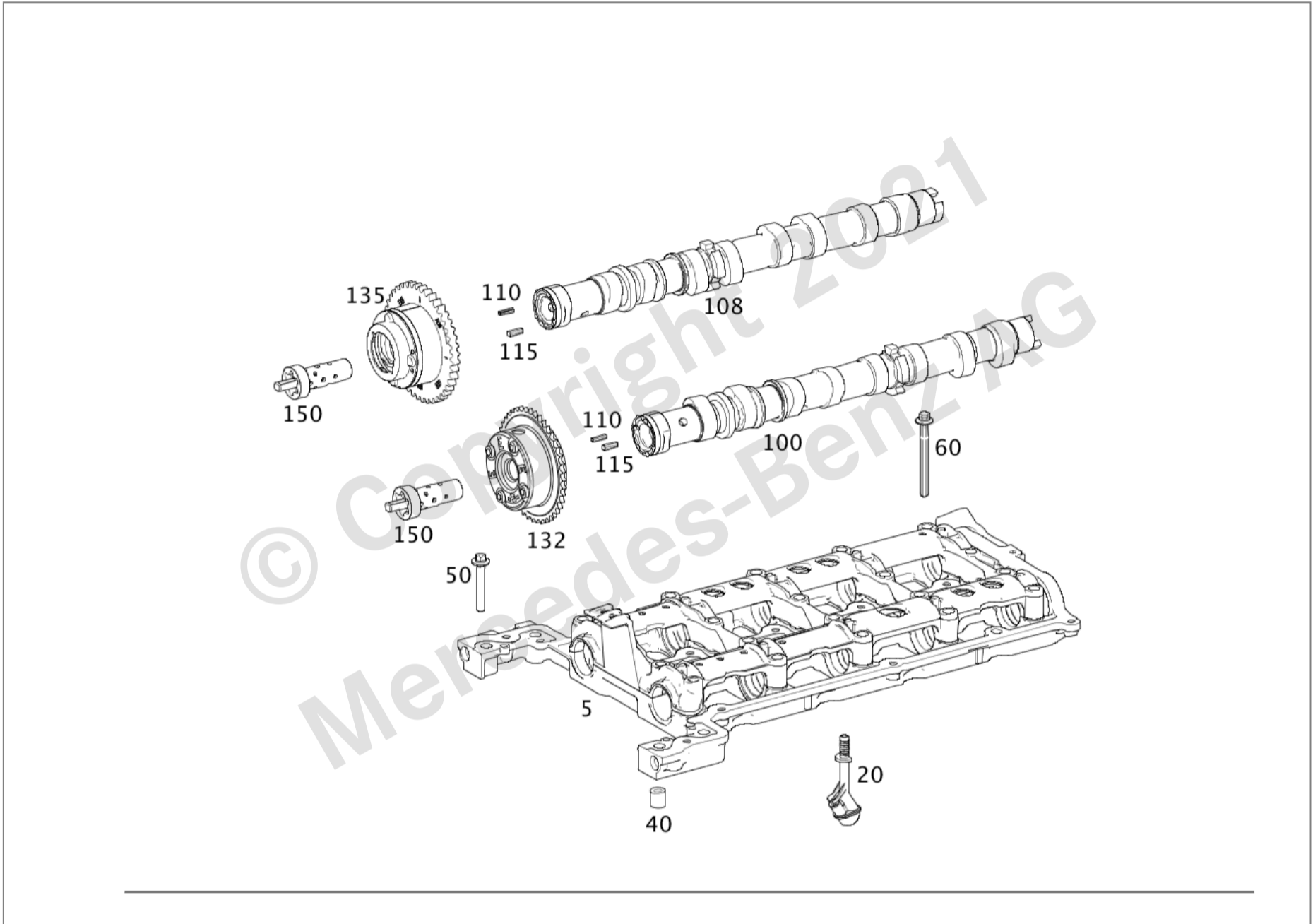


Image ID: drawing_B05010000006

Item	Part number	Designation/additional information	Qty
5	A 271 050 19 02	CAMSHAFT BEARING HOUSING	1
20	A 271 018 10 30	PIPING Oil drain	1
40	A 112 991 05 41	PILOT BUSHING Camshaft housing to cylinder head	2
50	A 113 990 02 22	SCREW Camshaft housing to cylinder head; M7X45	4
60	A 002 990 88 22	SCREW Camshaft housing to cylinder head	20
100	A 271 050 14 01	CAMSHAFT Inlet	1
108	A 271 050 15 01	CAMSHAFT Exhaust	1
		Replaced by: A 271 050 16 01	
108	A 271 050 16 01	CAMSHAFT Exhaust	1
		Replaces: A 271 050 15 01	

Parts Information

Item	Part number	Designation/additional information	Qty
110	A 611 997 02 10 	* CYLINDER PIN	2
115	N 308752 004000 	* ROLL PIN  [402] NO LONGER AVAILABLE	2
132	A 271 050 23 47  	CAMSHAFT POSITIONER Inlet Replaced by: A 271 050 27 47 Replaced by: A 271 050 29 47 Replaced by: A 271 050 25 47	1
132	A 271 050 27 47  	CAMSHAFT POSITIONER Inlet Replaced by: A 271 050 29 47 Replaced by: A 271 050 25 47 Replaces: A 271 050 23 47	1
132	A 271 050 29 47  	CAMSHAFT POSITIONER Inlet Replaced by: A 271 050 25 47 Replaces: A 271 050 27 47 Replaces: A 271 050 23 47	1
132	A 271 050 25 47  	CAMSHAFT POSITIONER Inlet Replaces: A 271 050 29 47 Replaces: A 271 050 27 47 Replaces: A 271 050 23 47	1
135	A 271 050 24 47  	CAMSHAFT POSITIONER Exhaust Replaced by: A 271 050 28 47 Replaced by: A 271 050 30 47 Replaced by: A 271 050 26 47	1
135	A 271 050 28 47  	CAMSHAFT POSITIONER Exhaust Replaced by: A 271 050 30 47 Replaced by: A 271 050 26 47 Replaces: A 271 050 24 47	1
135	A 271 050 30 47  	CAMSHAFT POSITIONER Exhaust Replaced by: A 271 050 26 47 Replaces: A 271 050 28 47 Replaces: A 271 050 24 47	1
135	A 271 050 26 47  	CAMSHAFT POSITIONER Exhaust Replaces: A 271 050 30 47 Replaces: A 271 050 28 47 Replaces: A 271 050 24 47	1
150	A 271 050 04 78	CENTRAL VALVE Camshaft adjuster to camshaft Replaced by: A 271 050 05 78	2
150	A 271 050 05 78	CENTRAL VALVE Camshaft adjuster to camshaft Replaces: A 271 050 04 78	2