

- Parts list -

Vehicle	WDDHF8HB9BA309250 (D02)	E 350 4MATIC	
Color	650 - undefined	Equipment	101 -
FIN: WDD2120871A309250		Assortment class	PC
Group	27 Automatic transmission	Sub-group	165 Transfer case inner parts

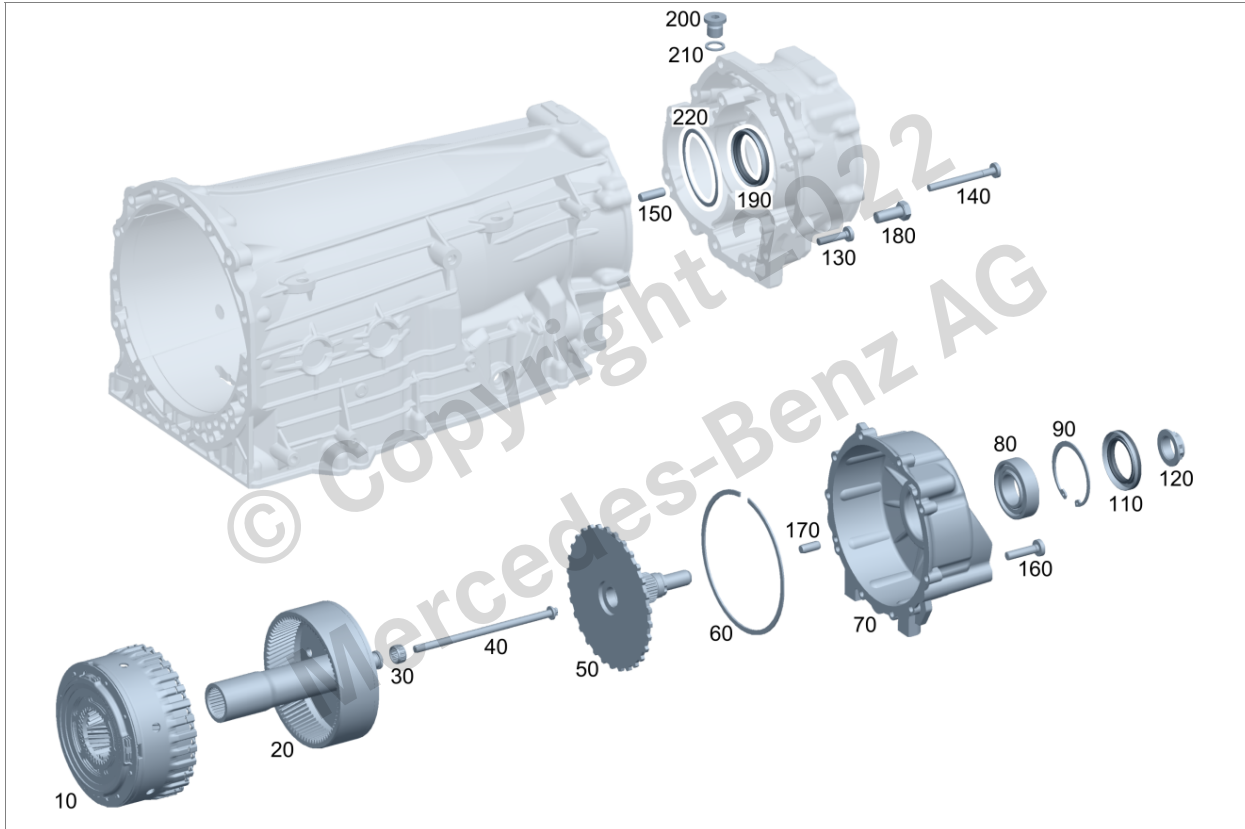


Image ID: drawing_PV000.010.090.682_version_001

Item	Part number	Designation/additional information	Qty
10	A 221 270 86 04	PLANET CARRIER Code: G960/G961/G962/G963/G964/G965/G966/G967/G968/G969/G985/G986;	1
20	A 221 270 03 45	RING GEAR Code: G960/G961/G962/G963/G964/G965/G966/G967/G968/G969/G972/G985/G986;	1
30	A 221 981 00 18	NEEDLE BEARING Code: G960/G961/G962/G963/G964/G965/G966/G967/G968/G969/G971/G972/G973/G985/G986;	2
40	N 000000 008248	HEXALOBULAR BOLT M8X165 Code: G960/G961/G962/G963/G964/G965/G966/G967/G968/G969/G985/G986;	1
50	A 221 270 03 26	SHAFT Output shaft Code: G960/G961/G962/G963/G964/G965/G966/G967/G968/G969/G985/G986;	1
60	A 001 994 09 40	SNAP RING Output shaft Code: G960/G961/G962/G963/G964/G965/G966/G967/G968/G969/G971/G972/G973/G985/G986;	1
70	A 222 274 00 10	COVER, TRANSM. HOUSING Code: G960/G961/G962/G963/G964/G965/G966/G967/G968/G969/G985/G986;	1
80	A 140 981 01 25	BALL BEARING Code: G960/G961/G962/G963/G964/G965/G966/G967/G968/G969/G985/G986;	1

Parts Information

Item	Part number	Designation/additional information	Qty
90	A 001 994 08 40	SNAP RING Code: G960/G961/G962/G963/G964/G965/G966/G967/G968/G969/G971/G972/G973/G985/G986;	1
110	A 015 997 12 46	RADIAL SHAFT SEALING RING Code: G960/G961/G962/G963/G964/G965/G966/G967/G968/G969/G971/G972/G973/G985/G986;	1
120	A 140 990 11 50	BIHEXAGONAL NUT W. FLANGE M26X1.5 Code: G960/G961/G962/G963/G964/G965/G966/G967/G968/G969/G971/G972/G973/G985/G986;	1
130	N 000000 002191	HEXALOBULAR BOLT Cap to transmission housing; M8X35 Code: G960/G961/G962/G963/G964/G965/G966/G967/G968/G969/G971/G972/G973/G985/G986;	9
140	N 000000 001433	HEXALOBULAR BOLT Cap to transmission housing; M8X80 Code: G960/G961/G962/G963/G964/G965/G966/G967/G968/G969/G971/G972/G973/G985/G986;	2
150	N 000000 003654	CYLINDER PIN Cap to transmission housing; 8M6X24-A1 Code: G960/G961/G962/G963/G964/G965/G966/G967/G968/G969/G971/G972/G973/G985/G986;	2
160	N 000000 002439	HEXALOBULAR BOLT M6X25 Code: G960/G961/G962/G963/G964/G965/G966/G967/G968/G969/G971/G972/G973/G985/G986;	10
170	N 000000 003653	CYLINDER PIN 6M6X14-A1 Code: G960/G961/G962/G963/G964/G965/G966/G967/G968/G969/G971/G972/G973/G985/G986;	2
180	A 000 990 83 00	HEXAGON HEAD BOLT Oil drain Code: G960/G961/G962/G963/G964/G965/G966/G967/G968/G969/G971/G972/G973/G985/G986;	1
190	A 013 997 72 46	SEALING RING Front axle Code: G960/G961/G972/G962/G963/G964/G965/G966/G967/G968/G969/G971/G973/G985/G986;	1
200	N 000908 012009	SCREW PLUG Oil replenishment; M12X1.5 Code: G960/G961/G962/G963/G964/G965/G966/G967/G968/G969/G971/G972/G973/G985/G986;	1
210	N 007603 012102	SEALING RING Oil replenishment Code: G960/G961/G962/G963/G964/G965/G966/G967/G968/G969/G971/G972/G973/G985/G986;	1
220	A 003 990 26 82	WINDOW Shim; 1.4 MM Code: G960/G961/G972/G962/G963/G964/G965/G966/G967/G985/G986;	NB
220	A 003 990 27 82	WINDOW Shim; 1.5mm Code: G960/G961/G972/G962/G963/G964/G965/G966/G967/G985/G986;	NB
220	A 003 990 28 82	WINDOW Shim; 1.6mm Code: G960/G961/G972/G962/G963/G964/G965/G966/G967/G985/G986;	NB
220	A 003 990 29 82	WINDOW Shim; 1.7 MM Code: G960/G961/G972/G962/G963/G964/G965/G966/G967/G985/G986;	NB
220	A 003 990 30 82	WINDOW Shim; 1.8mm Code: G960/G961/G972/G962/G963/G964/G965/G966/G967/G985/G986;	NB
220	A 003 990 31 82	WINDOW Shim; 1.9 MM Code: G960/G961/G972/G962/G963/G964/G965/G966/G967/G985/G986;	NB

Parts Information

Item	Part number	Designation/additional information	Qty
220	A 003 990 32 82	WINDOW Shim; 2.0 MM ☒ Code: G960/G961/G972/G962/G963/G964/G965/G966/G967/G985/G986;	NB
220	A 003 990 33 82	WINDOW Shim; 2.1 MM ☒ Code: G960/G961/G972/G962/G963/G964/G965/G966/G967/G985/G986;	NB