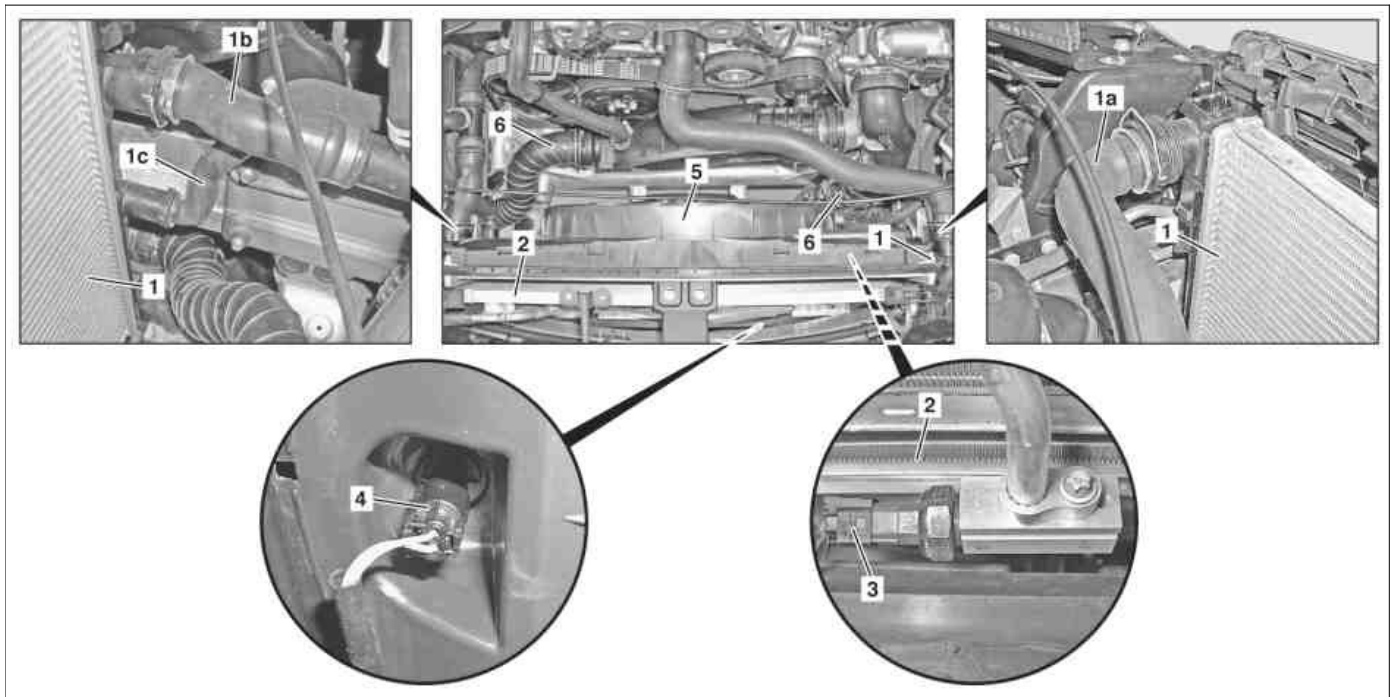


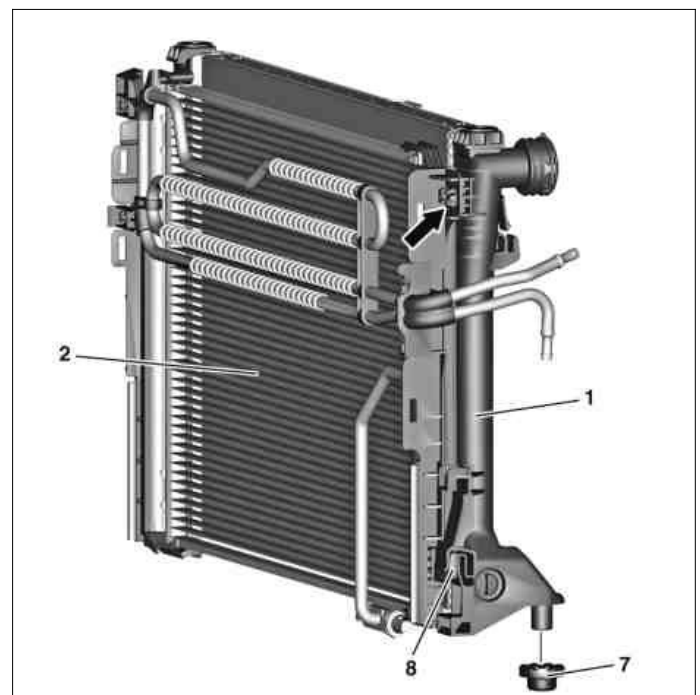
- MODEL 172 with ENGINE 271, 651
 MODEL 204 with ENGINE 271, 272, 274, 276, 642, 646, 651
 MODEL 207 with ENGINE 271, 272, 273, 276.9, 642, 651
 MODEL 212 with ENGINE 271
 MODEL 212 with ENGINE 274
 without CODE 924 (Bivalent natural gas drive)
 MODEL 218 with ENGINE 274




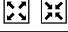

P20.20-2324-09


- | | | |
|-----------------|------------------------|------------------------|
| 1 Radiator | 1c Coolant hose | 4 Electrical connector |
| 1a Coolant hose | 2 Condenser | 5 Fan unit |
| 1b Coolant hose | 3 Electrical connector | 6 Charge air hoses |



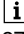



- | |
|---------------------|
| 1 Radiator |
| 2 Condenser |
| 7 Elastomer bearing |
| 8 Bracket |



P20.20-2325-12

 Danger !	Risk of death caused by vehicle slipping or toppling off of the lifting platform.	Align vehicle between vehicle lift columns and position the four support plates at the vehicle lift support points specified by the vehicle manufacturer.	AS00.00-Z-0010-01A
	Remove/install		
1	Drain coolant at radiator (1)	MODEL 172 with ENGINE 271, 651 MODEL 204 with ENGINE 271, 272, 642, 646, 651 MODEL 207 with ENGINE 271, 272, 273, 642, 651 MODEL 212 with ENGINE 271 MODEL 204 with ENGINE 276 MODEL 207 with ENGINE 276.9 ENGINE 274 in MODEL 204 (except 204.9) ENGINE 274 in MODEL 212 without CODE 924 (Bivalent natural gas drive) ENGINE 274 in MODEL 218	AR20.00-P-1142CW AR20.00-P-1142FH AR20.00-P-1142MR
2	Remove front engine cover	MODEL 172 with ENGINE 651	
3	Remove fan unit (5)	MODEL 172, 204, 207 with ENGINE 651 MODEL 172 with ENGINE 271 MODEL 212 with ENGINE 271 MODEL 212 with ENGINE 274 without CODE 924 (Bivalent natural gas drive) MODEL 218 with ENGINE 274	AR20.40-P-5050CW AR20.40-P-5050W AR20.40-P-5050EW
4	Remove front bumper	MODEL 218 with ENGINE 274 MODEL 212 with ENGINE 274 as of model year 2014 without CODE 924 (Bivalent natural gas drive)	AR88.20-P-2000EL AR88.20-P-2000EWM
5	Remove center reinforcement at the front	MODEL 218 with ENGINE 274 MODEL 204 with ENGINE 271, 272, 274, 276, 642, 646, 651 MODEL 207 with ENGINE 271, 272, 273, 276.9, 642, 651 MODEL 212 with ENGINE 271 MODEL 212 with ENGINE 274 without CODE 924 (Bivalent natural gas drive)	AR62.30-P-1570EL AR62.30-P-1570CW AR62.30-P-1570EW
6.1	Remove both lower engine compartment panelings	MODEL 204.9 with ENGINE 272, 276, 642, 651 MODEL 204.9 with ENGINE 272, 276, 642, 651	AR61.20-P-1105CY
6.2	Take off bottom engine compartment paneling at front	MODEL 172 with ENGINE 271 MODEL 204 with ENGINE 271, 272, 274, 276 MODEL 207 with ENGINE 271, 272, 273, 276.9 MODEL 212 with ENGINE 271 MODEL 212 with ENGINE 274 without CODE 924 (Bivalent natural gas drive) MODEL 218 with ENGINE 274 MODEL 172.4 with ENGINE 271 Gasoline MODEL 204.0/2 with ENGINE 271, 272, 274, 276 MODEL 204.3 with ENGINE 271, 274, 276 MODEL 207 with ENGINE 271, 272, 273, 276.9 MODEL 212 with ENGINE 271 MODEL 212 with ENGINE 274 without CODE 924 (Bivalent natural gas drive) MODEL 218 with ENGINE 274	AR61.20-P-1105W AR61.20-P-1105EW
6.3	Remove bottom section of soundproofing at front	MODEL 172 with ENGINE 651 MODEL 204 with ENGINE 642, 646, 651 MODEL 207 with ENGINE 642, 651 MODEL 172 with ENGINE 651 MODEL 204.0 with ENGINE 642, 646, 651 MODEL 204.2 with ENGINE 642, 646, 651 MODEL 204.3 with ENGINE 651 MODEL 207 with ENGINE 642, 651	AR94.30-P-5300W AR94.30-P-5300EW
7	Remove power steering cooler	MODEL 172 with ENGINE 651	AR46.25-P-3020WA
8	Remove charge air hoses (6)	 Installation: Replace sealing rings with bulges (old version) by sealing rings without bulges (new version).	AR09.41-P-1311-01AL

9	Lift cooling module and put down in the direction of the engine		
10	Disconnect electrical connections (3, 4); detach engine lines at radiator (1) and place to one side.		
11	Unclip charge air cooler on radiator (1) and remove	<p>MODEL 172 with ENGINE 271, 651 MODEL 204 with ENGINE 271, 642, 646, 651 MODEL 207 with ENGINE 271, 642, 651 MODEL 212 with ENGINE 271</p> <p>MODEL 204 (except 204.9) with ENGINE 274 MODEL 212 with ENGINE 274 without CODE 924 (Bivalent natural gas drive) MODEL 218 with ENGINE 274</p> <p> Do not remove bumper.</p>	<p>AR09.41-P-6817CW</p> <p>AR09.41-P-6817MR AR09.41-P-6817MRS</p>
12	Remove low temperature radiator	<p>MODEL 204 with ENGINE 272.982 MODEL 207 with ENGINE 272.982/984</p>	AR09.41-P-6831CDE
13	Unclip lower air duct segment from the cooler (1)	<p>MODEL 204 with ENGINE 272, 276 MODEL 207 with ENGINE 272, 273, 276.9</p>	
14	Unclip upper air duct segment from the cooler (1)	MODEL 172, 204, 207 with ENGINE 651	
15	Detach coolant vent line at cooler (1)	MODEL 204 with ENGINE 274	
16	Detach coolant hoses (1a, 1b, 1c) on radiator (1)		AR20.20-P-7441-01RQ
17	Disconnect oil cooling lines on radiator (1) and pull out	<p>MODEL 212 with ENGINE 274.9 with TRANSMISSION 722.995 without CODE 924 (Bivalent natural gas drive) MODEL 218 with ENGINE 274 with TRANSMISSION 722.995</p> <p>MODEL 204 with ENGINE 271 with TRANSMISSION 722.99 MODEL 204 with ENGINE 272 with TRANSMISSION 722.90 MODEL 204 with ENGINE 272 with TRANSMISSION 722.99 MODEL 204 with ENGINE 276 with TRANSMISSION 722.90 MODEL 204 with ENGINE 642 with TRANSMISSION 722.90 MODEL 204 with ENGINE 651 with TRANSMISSION 722.90/99 MODEL 204.08 with ENGINE 272 with TRANSMISSION 722.96 MODEL 204.08 with ENGINE 276 with TRANSMISSION 722.96 MODEL 204.08 with ENGINE 642 with TRANSMISSION 722.96 MODEL 204.08 with ENGINE 651 with TRANSMISSION 722.96 MODEL 204.09 with ENGINE 642 with TRANSMISSION 722.96 MODEL 204.28 with ENGINE 642 with TRANSMISSION 722.96 MODEL 204.28 with ENGINE 651 with TRANSMISSION 722.96 MODEL 204.29 with ENGINE 642 with TRANSMISSION 722.96 MODEL 204.38 with ENGINE 276 MODEL 204.904 with ENGINE 651 with TRANSMISSION 722.96 MODEL 204.98 with ENGINE 272 with TRANSMISSION 722.96 MODEL 204.99 with ENGINE 276 with TRANSMISSION 722.96 MODEL 204.99 with ENGINE 642 with TRANSMISSION 722.96 MODEL 204.99 with ENGINE 651 with TRANSMISSION 722.96 MODEL 207.388 with ENGINE 276.9 with TRANSMISSION 722.96 MODEL 204.0/2/3 with TRANSMISSION 722.6 MODEL 207 with TRANSMISSION 722.6 MODEL 212 with ENGINE 271 with TRANSMISSION 722.6</p>	<p>AR27.55-P-0600MR</p> <p>AR27.55-P-0600CV</p> <p>AR27.55-P-0600CWX</p> <p>AR27.55-P-0600CW</p> <p>AR27.55-P-0600EW</p>

		MODEL 207 with ENGINE 271 with TRANSMISSION 722.997 MODEL 207 with ENGINE 272 with TRANSMISSION 722.906 MODEL 207 with ENGINE 273 with TRANSMISSION 722.90 MODEL 207 with ENGINE 642 with TRANSMISSION 722.90 MODEL 207 with ENGINE 651 with TRANSMISSION 722.90 MODEL 212 with ENGINE 271 with TRANSMISSION 722.99	AR27.55-P-0600EV
18	Unclip condenser (2) from radiator (1) on the left and right (arrow)	 Installation: Ensure correct seating of the condenser (2) in the holder (8).	
19	Take out radiator (1) in an upward direction	 MODEL 207 with ENGINE 271, 272, 273, 276.9, 642, 651 Pass by the LH cooler mount carefully at hydraulic lines for cooler for P/S. The hydraulic lines can be damaged otherwise.  MODEL 207 with ENGINE 271, 272, 273, 276.9, 642, 651 Lift cooler (1) on the right.  Installation: Ensure correct seating of the elastomer bearing (7).	
20	Check cooler (1) for damage; replace if necessary	When reusing the cooler (1)  If one of the lower radiator mounts is damaged, this can be replaced by a repair kit.	
21	Install in the reverse order		
	Check		
22	Check cooling system for leaktightness	MODEL 204 with ENGINE 274 MODEL 212 with ENGINE 274 without CODE 924 (Bivalent natural gas drive) MODEL 218 with ENGINE 274 MODEL 172 with ENGINE 271, 651 MODEL 204 with ENGINE 271, 272, 642, 646, 651 MODEL 207 with ENGINE 271, 272, 273, 642, 651 MODEL 212 with ENGINE 271 MODEL 204 with ENGINE 276 MODEL 207 with ENGINE 276.9	AR20.00-P-1010MR AR20.00-P-1010CW AR20.00-P-1010FH