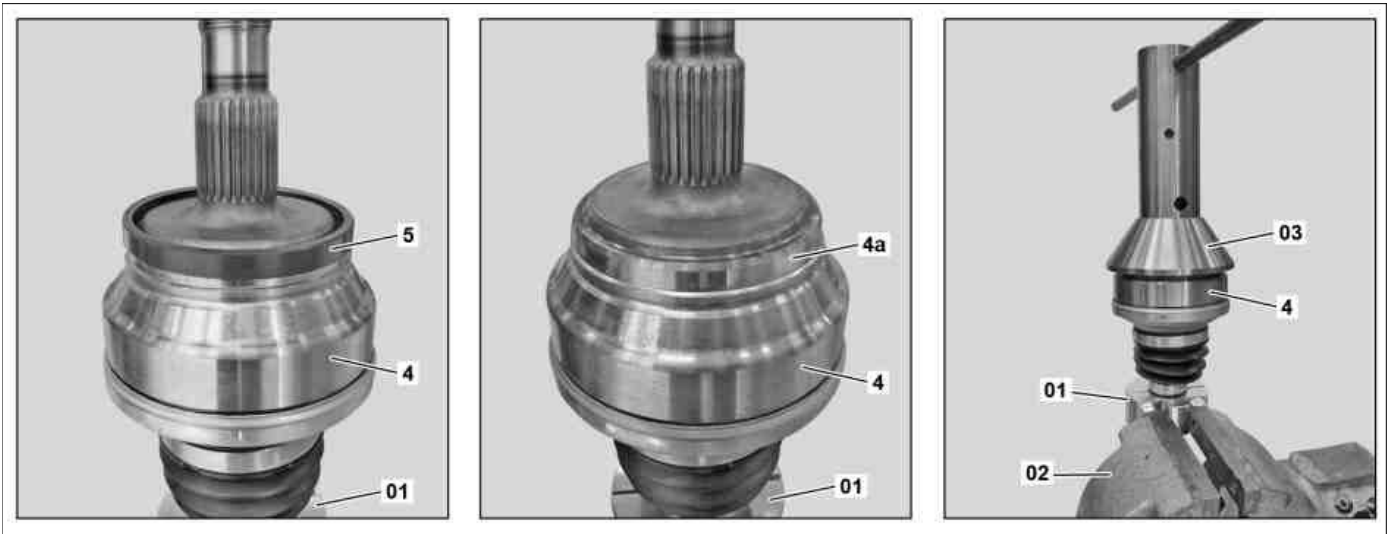


Model 129, 140, 170, 171, 172, 202, 203, 204, 207, 208, 209, 210, 211, 212, 215, 216, 218, 219, 220, 221, 230, 231



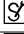
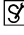
P42.30-2178-08

01 Clamping jaws
02 Vise

03 Assembly tool
4 External joint end

4a Contact surface
5 Pulse ring

| | Remove | | |
|---|------------------------|---|--|
| 1 | Remove rear axle shaft | Model 129, 140, 170, 202, 208, 210Rear axle shaft bolted on. Model 203, 209Rear axle shaft bolted on. Model 204, 207 Model 212, 218 Model 231 with engine 157, 276, 278 Model 170.435/444/445/447/449/465/466, 208.335/344/348/365/370/435/444/448/465/470Rear axle shaft (inserted) Model 215, 220Screwed rear axle shafts Model 215, 220Inserted rear axle shafts Model 203, 209Rear axle shaft (inserted) Model 203.018/065/218/265/718Rear axle differential 210E Model 203.040/042/043/046/052/240/242/243/246/252/730/740/742/743/746 Rear axle differential 187Model 203.054/056/254/256/756, 209.354/356/454/456Rear axle differential 200 Model 203.020/220, 209.320/420Rear axle differential 215 Model 230Inserted rear axle shafts Model 231 with engine 279 Model 230.474Screwed rear axle shafts Model 216 Model 221With inserted rear axle shafts Model 221.176With screwed rear axle shafts | AR35.30-P-0620A AR35.30-P-0620AC AR35.30-P-0620CW AR35.30-P-0620EW AR35.30-P-0620GG AR35.30-P-0620I AR35.30-P-0620IM AR35.30-P-0620P AR35.30-P-0620PF AR35.30-P-0620PI AR35.30-P-0620PQ AR35.30-P-0620R AR35.30-P-0620RKC AR35.30-P-0620RM AR35.30-P-0620SX AR35.30-P-0620SZ |

| | | | |
|---|---|---|--|
| | |  Assembly tool | *211589006100 |
| 6 | Remove rear axle shaft from vise (02) and detach clamping jaws (01) |  Clamping jaws | *220589023100 |
| 7 | Install rear axle shaft | <p>Model 129, 140, 170, 202, 208, 210Rear axle shaft bolted on.</p> <p>Model 203, 209Rear axle shaft bolted on.</p> <p>Model 204, 207</p> <p>Model 212, 218</p> <p>Model 231 with engine 157, 276, 278</p> <p>Model 170.435/444/445/447/449/465/466, 208.335/344/348/365/370/435/444/448/465/470Rear axle shaft (inserted)</p> <p>Model 215, 220Screwed rear axle shafts</p> <p>Model 215, 220Inserted rear axle shafts</p> <p>Model 203, 209Rear axle shaft (inserted)</p> <p>Model 203.018/065/218/265/718Rear axle differential 210E</p> <p>Model 203.040/042/043/046/052/240/242/243/246/252/730/740/742/743/746</p> <p>Rear axle differential 187Model 203.054/056/254/256/756, 209.354/356/454/456Rear axle differential 200</p> <p>Model 203.020/220, 209.320/420Rear axle differential 215</p> <p>Model 230Inserted rear axle shafts</p> <p>Model 231 with engine 279</p> <p>Model 230.474Screwed rear axle shafts</p> <p>Model 216</p> <p>Model 221With inserted rear axle shafts</p> <p>Model 221.176With screwed rear axle shafts</p> <p>Model 211.004/041/042/052/061/080/083/084/089/090/283/290</p> <p>Rear axle differential 187FEModel 211.004 with code 450 (Taxi version)</p> <p>Rear axle differential 198Model 211.006/065/082/087/092, 211.054/056 up to 5/31/06</p> <p>Rear axle differential 198Model 211.007/008/057, 211.054/056 as of 6/1/06</p> <p>Rear axle differential 200FEModel 211.016/023/026/028, 211.070/076/270 up to 8/31/03</p> <p>Rear axle differential 210EModel 211.020/022/029/072/077/272/276/277</p> <p>Rear axle differential 215FEModel 211.070/076/270 as of 9/1/03</p> <p>Rear axle differential 215FEModel 211.206/265/282/287/292, 211.254/256 up to 5/31/06</p> <p>with code 489 (AIRMATIC)</p> <p>Rear axle differential 198Model 211.208/257, 211.254/256 as of 6/1/06</p> <p>with code 489 (AIRMATIC)</p> <p>Rear axle differential 200FEModel 211.216/223/226</p> <p>with code 489 (AIRMATIC)</p> <p>Rear axle differential 210EModel 211.220/222 with code 489 (AIRMATIC)</p> <p>Rear axle differential 215FEModel 211.241/242/252/261/280/284/289</p> <p>with code 489 (AIRMATIC)Rear axle differential 187FE</p> <p>Model 211.076 up to 8/31/03</p> | <p>AR35.30-P-0620A</p> <p>AR35.30-P-0620AC</p> <p>AR35.30-P-0620CW</p> <p>AR35.30-P-0620EW</p> <p>AR35.30-P-0620GG</p> <p>AR35.30-P-0620I</p> <p>AR35.30-P-0620IM</p> <p>AR35.30-P-0620P</p> <p>AR35.30-P-0620PF</p> <p>AR35.30-P-0620PI</p> <p>AR35.30-P-0620PQ</p> <p>AR35.30-P-0620R</p> <p>AR35.30-P-0620RKC</p> <p>AR35.30-P-0620RM</p> <p>AR35.30-P-0620SX</p> <p>AR35.30-P-0620SZ</p> <p>AR35.30-P-0620T</p> <p>AR35.30-P-0620TA</p> |

