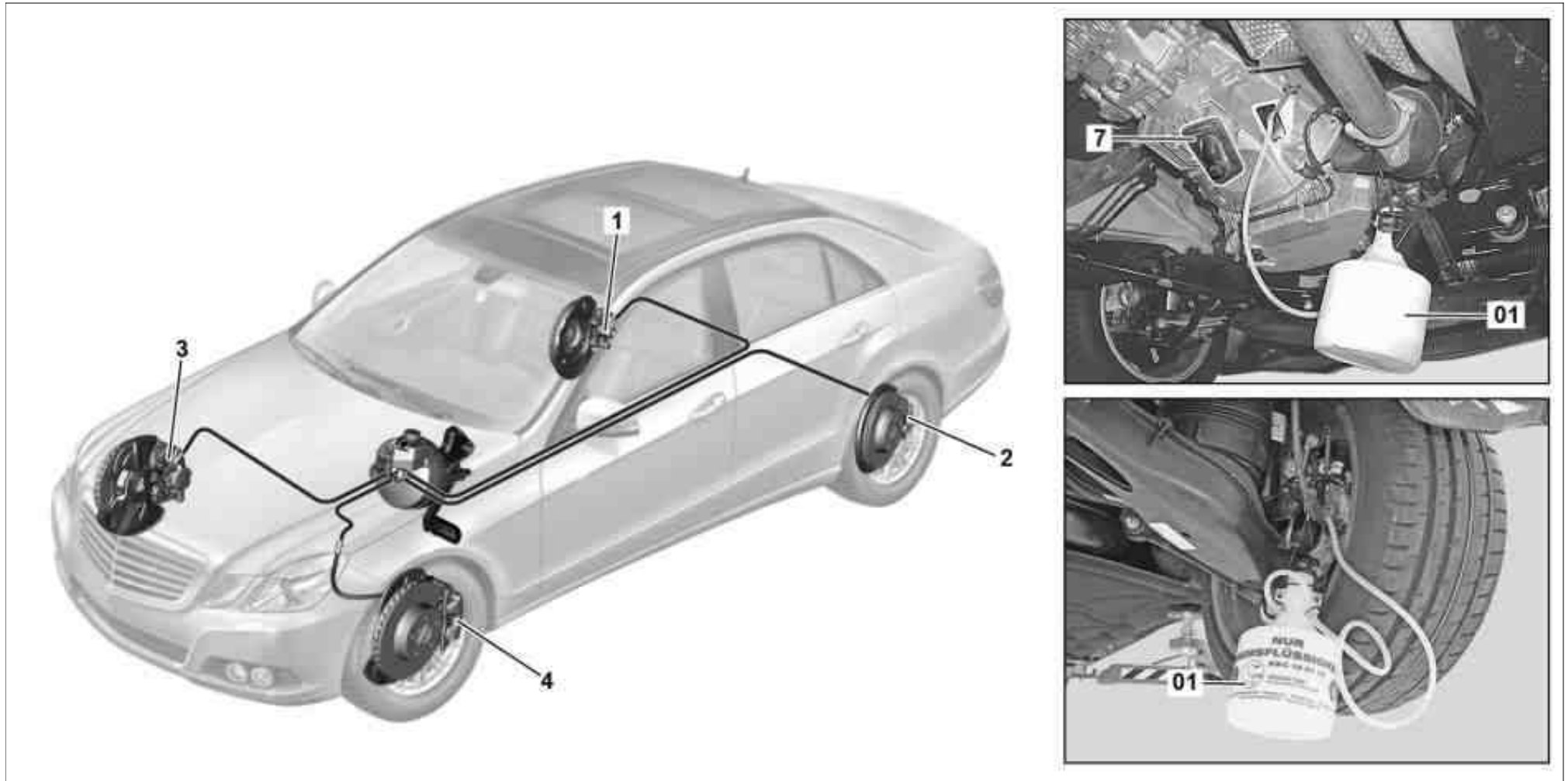


Document title Carrying out bleeding operation

Document number ar4210p001002ew

AR42.10-P-0010-02EW	Carrying out bleeding operation	
WS	000 588 01 82 00 Filling unit	WS25.00-P-0016B

Model 166, 172, 207, 212, 218, 292



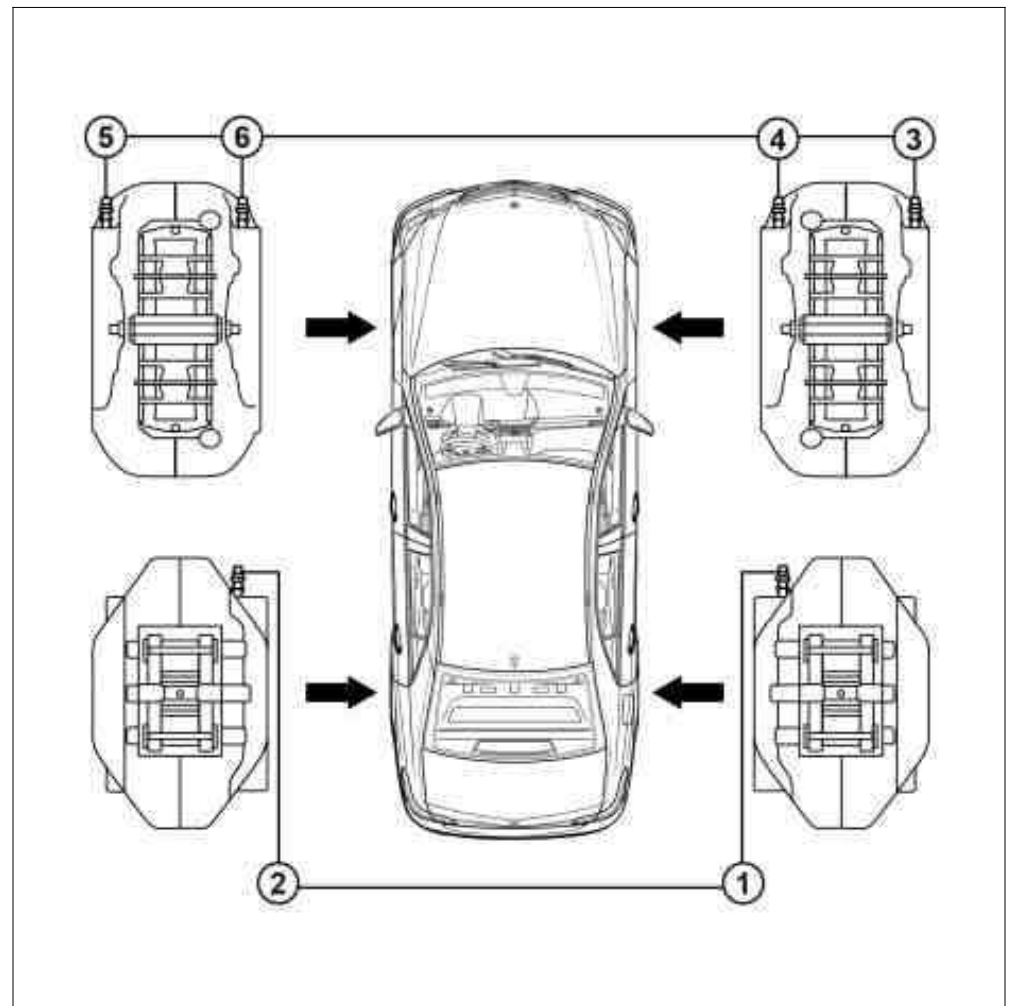
P42.10-2755-09

Shown on model 212 without code B07 (Ceramic brake system)

- | | | | | | |
|----|--------------|---|-------------|---|-------------|
| 01 | Bleed bottle | 2 | Bleed screw | 4 | Bleed screw |
| 1 | Bleed screw | 3 | Bleed screw | 7 | Cover |

Shown on model 212 with code B07 (Ceramic brake system)

- 1 Bleed screw
- 2 Bleed screw
- 3 Bleed screw
- 4 Bleed screw
- 5 Bleed screw
- 6 Bleed screw


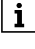
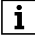


P42.00-2157-12

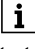
- | | | | |
|-----|--|----|---|
| 1 | Set bleeding pressure on filling and bleeding unit to 2.0 bar. | 8 | Repeat operation steps 3 to 7 on remaining bleed screws (2, 3, 4, 5, 6). |
| 2 | Remove the caps of the bleed screws (1, 2, 3, 4, 5, 6) on the brake calipers. | 9 | Remove caps of bleed screws (1, 2, 3, 4, 5, 6) on brake calipers. |
| 3 | Connect bleed hose of bleed bottle (01) to bleed screw of brake caliper (1). | 10 | Remove cover (7) from clutch housing.

On models fitted with manual transmission. |
| 4 | Open bleed screw (1) on brake caliper. | 11 | Remove cap from bleed screw of central clutch release bearing.

On models fitted with manual transmission. |
| 5.1 | To bleed the hydraulic system of the brake system after the hydraulic system has been opened for repair purposes. Depress brake pedal repeatedly until fresh brake fluid flows out free of bubbles at bleed screw (1) of brake caliper.

<p> To bleeding the brake system correctly it is absolutely essential to pump the brake pedal throughout the entire bleeding process. Otherwise brake system malfunctions and a failure of the brake system can occur due to remaining residual air. To prevent air from being drawn in, do not pump the brake pedal in a jerking manner but instead release it slowly.</p> <p> Helper required.</p> <p> The bleed screw (1) can remain open during the entire pumping process. Required total volume of brake fluid: approx. 1.5 liter.</p> | 12 | Perform operation steps 3-7 at bleed screw of central clutch release bearing.

On models fitted with manual transmission. |
| 5.2 | When replacing the brake fluid, if the hydraulic system for the brake system was not opened beforehand for repair purposes. Keep bleed screw open until the brake fluid flows out.

<p> Pumping of the brake pedal is not necessary. Required total volume of brake fluid: approx. 1.5 liter.</p> | 13 | Attach cap of bleed screw of central clutch release bearing. |
| 6 | Close bleed screw. | 14 | Attach cover (7) to clutch housing. |
| 7 | Detach bleed hose of bleed bottle (01) from bleed screw of brake caliper (1). | | |