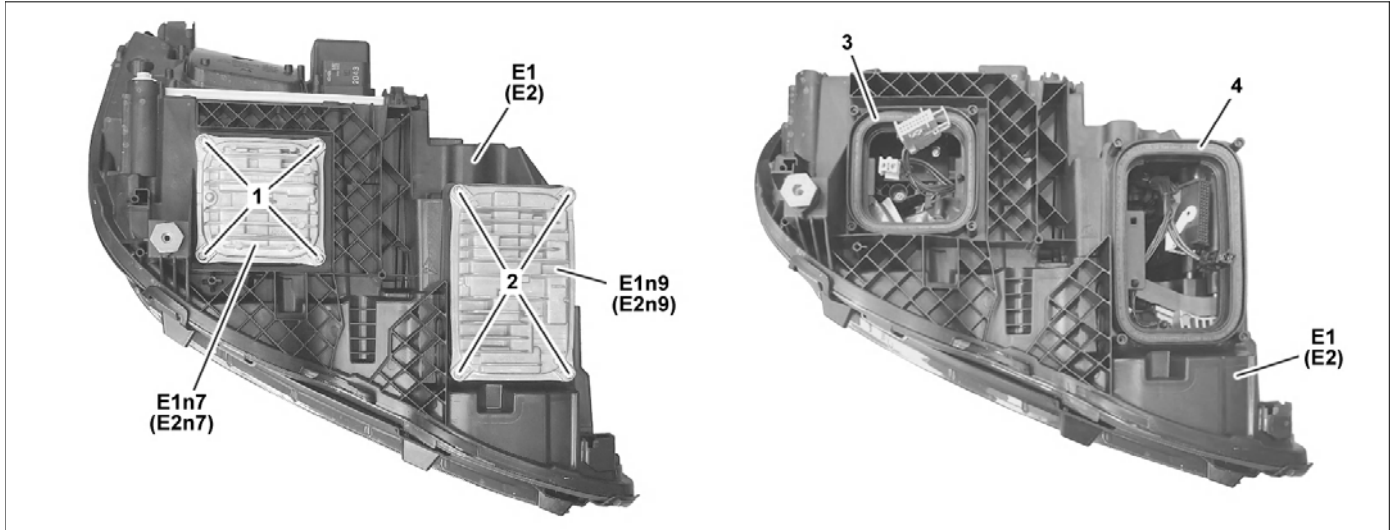


MODEL 207, 212
with CODE 640 (Headlamps, LED, dynamic, SAE, right-side traffic)

MODEL 207, 212
with CODE 641 (Headlamps, LED, dynamic, left-side traffic)

MODEL 207, 212
with CODE 642 (Headlamps, LED, dynamic, right-side traffic)



P82.10-7222-08

- 2 Bolts
- 4 Seal
- E1 Left front lamp unit

- E1n9 Left headlamp control unit
- E2 Right front lamp unit
- E2n9 Right headlamp control unit

	Information on preventing damage to electronic components due to electrostatic discharge		AH54.00-P-0001-01A
	Remove/install		
1 	Carry out initial startup of left headlamp control unit (E1n9) or right headlamp control unit (E2n9) Connect STAR DIAGNOSIS and read out fault memory	When replacing left headlamp control unit (E1n9) or right headlamp control unit (E2n9).	AD00.00-P-2000-04A
2	Remove left front lamp unit (E1) or right front lamp unit (E2)	MODEL 212 as of model year 2014 with CODE 640 (Headlamps, LED, dynamic, SAE, right-side traffic) MODEL 212 as of model year 2014 with CODE 641 (Headlamps, LED, dynamic, left-side traffic) MODEL 212 as of model year 2014 with CODE 642 (Headlamps, LED, dynamic, right-side traffic) MODEL 207 as of model year 2014 with CODE 640 (Headlamps, LED, dynamic, SAE, right-side traffic) MODEL 207 as of model year 2014 with CODE 641 (Headlamps, LED, dynamic, left-side traffic) MODEL 207 as of model year 2014 with CODE 642 (Headlamps, LED, dynamic, right-side traffic)	AR82.10-P-4730EWM AR82.10-P-4730ECM

3	Remove screws/bolts (2) at left headlamp control unit (E1n9) or at right headlamp control unit (E2n9)		
4	Pull out left headlamp control unit (E1n9) or right headlamp control unit (E2n9) until electrical connectors can be separated	i Installation: Ensure the seal (4) is seated correctly on the left front lamp unit (E1) or on the right front lamp unit (E2).	
5	Disconnect electrical connectors and remove left headlamp control unit (E1n9) or right headlamp control unit (E2n9)		
6	Install in the reverse order		