

Document number: pe82.10-p-2000-97daa

Document title: Wiring diagram of exterior lights

Code: **Designation:** **Position:**

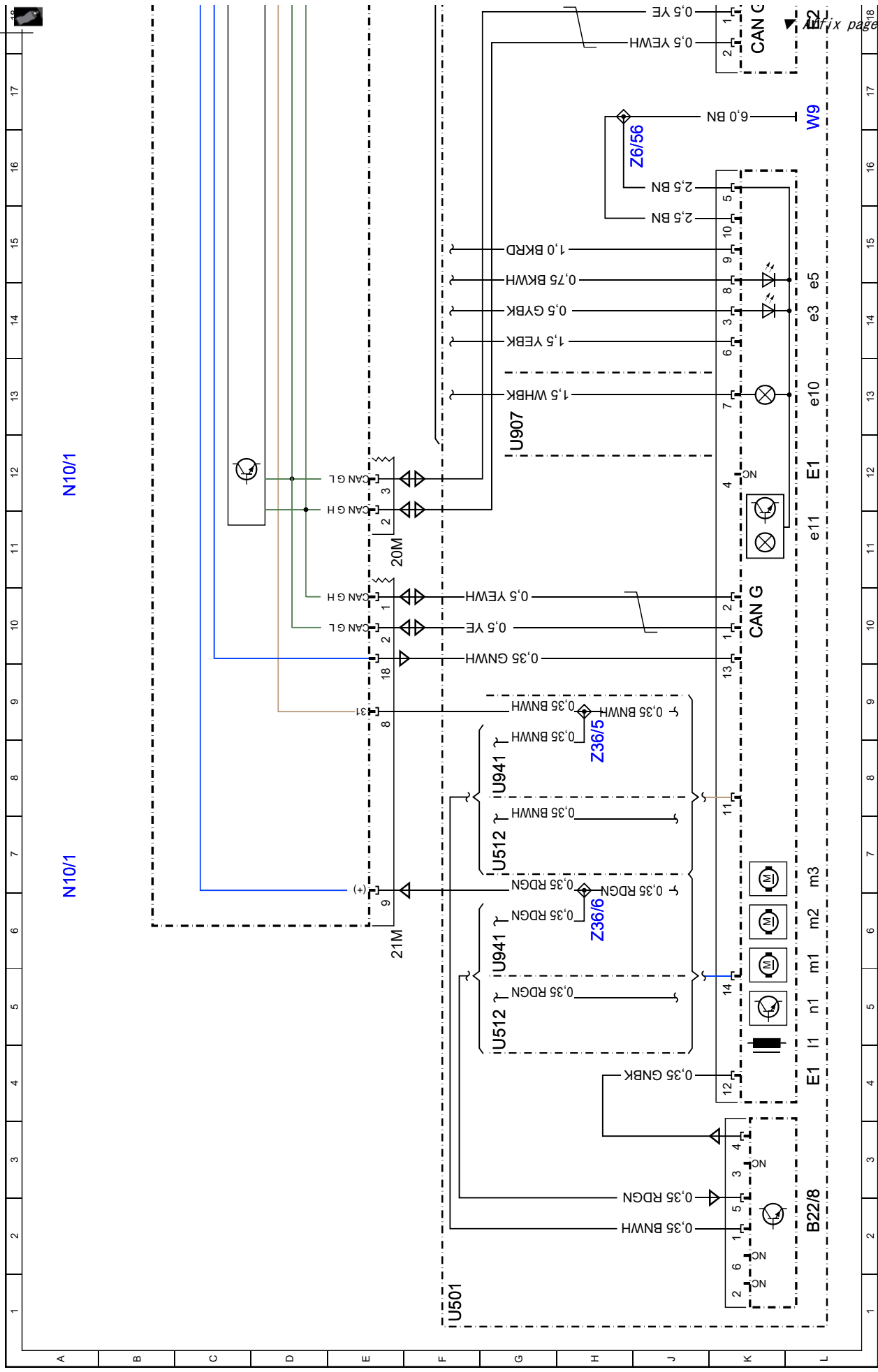
A0	Color code key	48L
B22/8	Left front level sensor	2L
CAN G	Front end CAN	10K
CAN G	Front end CAN	18K
E1	Left front lamp unit	4L
E1	Left front lamp unit	12L
E1	Left front lamp unit	27L
E1	Left front lamp unit	33L
E1e1	Left high beam	27L
E1e10	Left xenon bulb with integrated ignition module	13L
E1e11	Left infrared lamp	11L
E1e2	Left low beam	28L
E1e3	Left front standing and parking lamp	14L
E1e3	Left front standing and parking lamp	14L
E1e5	Left front turn signal lamp	29L
E1e5	Left front turn signal lamp	14L
E1e5	Left front turn signal lamp	29L
E111	Left high beam solenoid	4L
E1m1	Left headlamp range adjustment actuator motor	6L
E1m1	Left headlamp range adjustment actuator motor	31L
E1m2	Left active curve illumination actuator motor	6L
E1m3	Left light distribution actuator motor	7L
E1n1	Left xenon lamp control unit	5L
E2	Right front lamp unit	18L
E2	Right front lamp unit	25L
E2	Right front lamp unit	35L
E2	Right front lamp unit	42L
E2e1	Right high beam	36L
E2e10	Right xenon bulb with integrated ignition module	22L
E2e11	Right infrared lamp	24L
E2e2	Right low beam	36L
E2e3	Right front standing and parking lamp	23L
E2e3	Right front standing and parking lamp	37L
E2e5	Right front turn signal lamp	23L
E2e5	Right front turn signal lamp	37L
E211	Right high beam solenoid	18L
E2m1	Right headlamp range adjustment actuator motor	20L
E2m1	Right headlamp range adjustment actuator motor	39L
E2m2	Right active curve illumination actuator motor	20L
E2m3	Right light distribution actuator motor	21L

Document number: pe82.10-p-2000-97daa

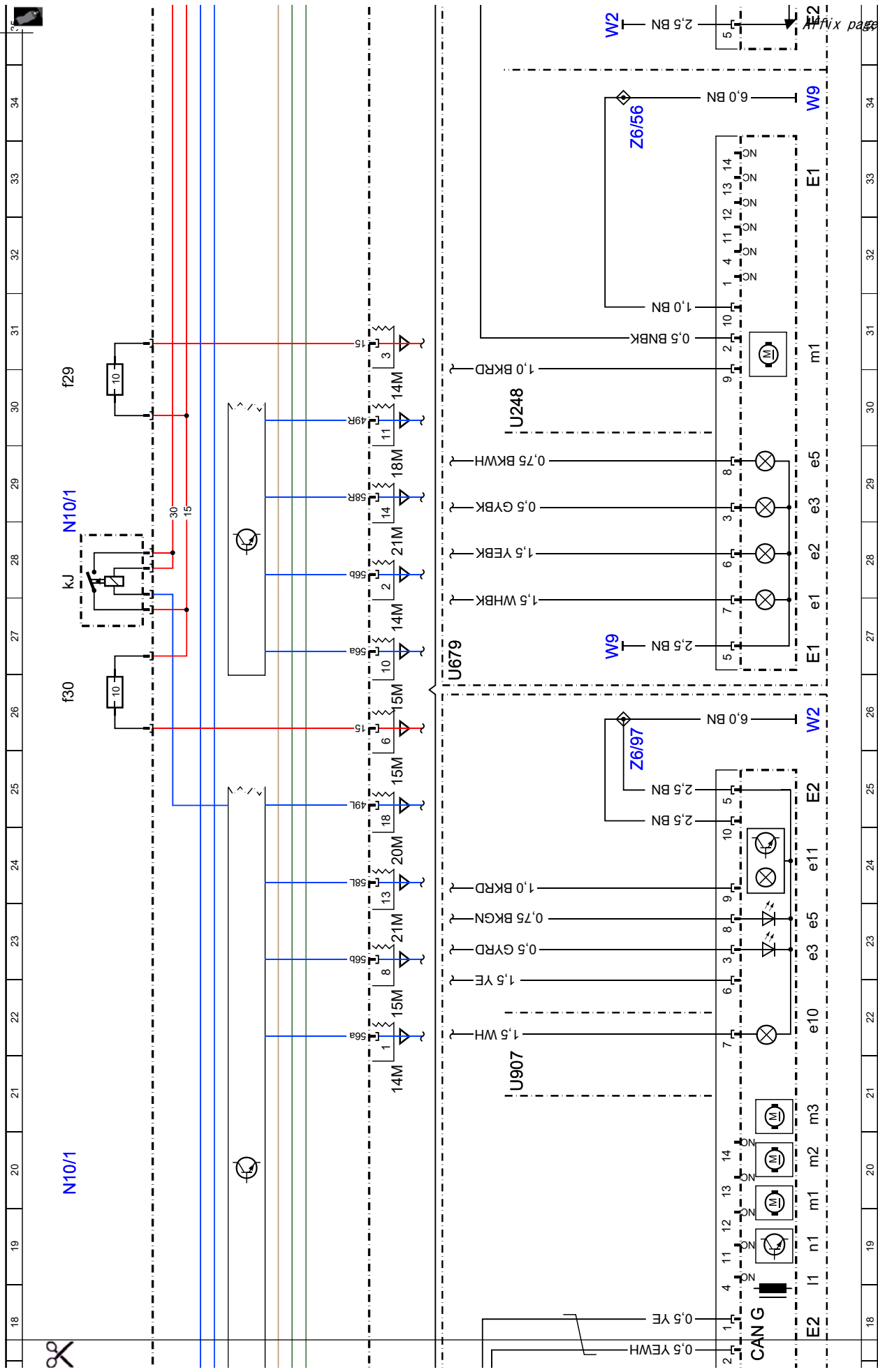
Document title: Wiring diagram of exterior lights

Code: Designation: Position:

E2n1	Right xenon light control unit	19L
N10/1	Front SAM control unit with fuse and relay module	7A
N10/1	Front SAM control unit with fuse and relay module	12A
N10/1	Front SAM control unit with fuse and relay module	20A
N10/1	Front SAM control unit with fuse and relay module	28A
N10/1	Front SAM control unit with fuse and relay module	36A
N10/1f29	Fuse 29	30A
N10/1f30	Fuse 30	26A
N10/1kJ	Circuit 15 relay	28A
U248	Valid for headlamp range adjustment for halogen headlamps	30G
U248	Valid for headlamp range adjustment for halogen headlamps	38G
U501	Valid for xenon headlamps	1F
U512	Valid for electronic level control	4G
U512	Valid for electronic level control	7G
U679	Valid for version without xenon headlamps	26F
U907	Valid for Night View Assist	12G
U907	Valid for Night View Assist	21G
U941	Valid without electronic level control	5G
U941	Valid without electronic level control	8G
W2	Right front ground point at lamp unit	26L
W2	Right front ground point at lamp unit	35H
W2	Right front ground point at lamp unit	43L
W9	Left front ground point (at lamp unit)	17L
W9	Left front ground point (at lamp unit)	34L
W9	Left front ground point (at lamp unit)	27H
Z36/5	Headlamp range adjustment sensor ground connector sleeve	8H
Z36/6	Sensor voltage supply connector sleeve	6H
Z6/56	Circuit 31 connector sleeve	16J
Z6/56	Circuit 31 connector sleeve	34J
Z6/97	Right lamp unit circuit 31 connector sleeve	26J
Z6/97	Right lamp unit circuit 31 connector sleeve	42J



fix page 2 here



cut here

page 3 here

