

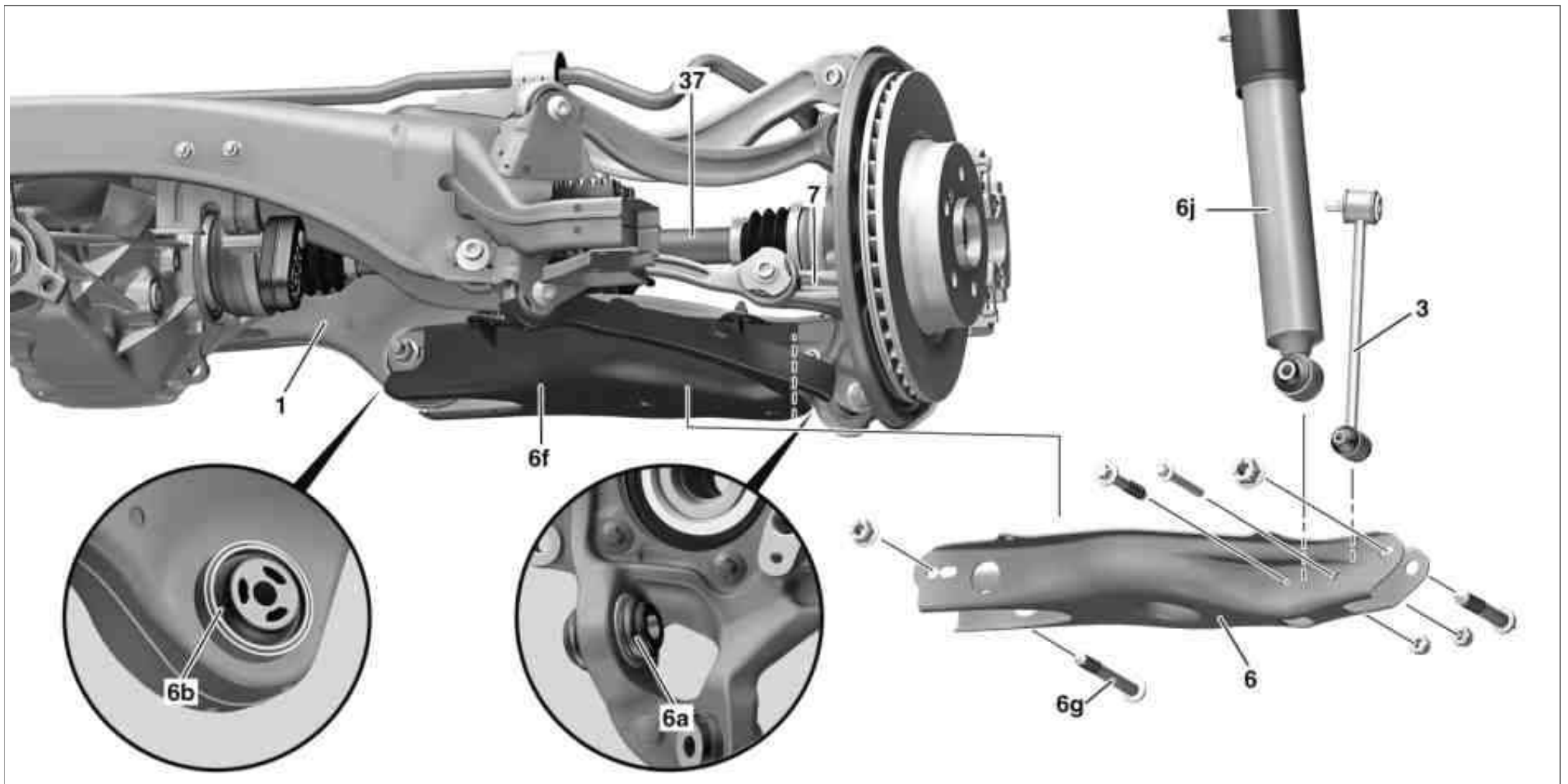
Document title Remove/install spring link and elastomer bearing

Document number ar3520p0114ew

Model 212, 218



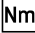
Modification notes

24.02.2011	"Installation note for replacing spring control arm nuts and bolts on wheel carrier" added	Operation step 7	
------------	--	------------------	--



P35.20-2215-09

1	Rear axle carrier	6b	Rubber mount	7	Wheel carrier
3	Link rod	6f	Cover	37	Rear axle shaft
6	Spring control arm	6g	Screw		
6a	Supporting joint	6j	Shock absorber		

 	Remove/install		
	Risk of death caused by vehicle slipping or toppling off of the lifting platform.	Align vehicle between vehicle lift columns and position the four support plates at the vehicle lift support points specified by the vehicle manufacturer.	AS00.00-Z-0010-01A
	Notes on self-locking nuts and bolts		AH00.00-N-0001-01A
	Notes on repair work on suspension components		AH00.00-P-0100-01A
1	Secure vehicle on vehicle lift		AR00.60-P-0100EWS
2	Remove rear wheel		AP40.10-P-4050EW
3	Remove left and right rear diagonal strut	Model 212.2, 218.9  Bolt, rear diagonal strut bracket mount to body	*BA61.10-P-1006-01H
4.1	Remove steel spring	Model 212.0/1 except code 488 (Steel/air suspension) except code 489 (AIRMATIC) Model 218.3 except code 488 (Steel/air suspension) except code 489 (AIRMATIC)	AR32.20-P-0230EW
4.2	Remove air spring		

		Model 212.0/1 with code 488 (Steel/air suspension) with code 489 (AIRMATIC) Model 212.2 Model 218 with code 488 (Steel/air suspension) with code 489 (AIRMATIC)	AR32.22-P-1500EW
5	Remove link rod (3) from spring control arm (6)	Nut, link rod to spring control arm	*BA32.20-P-1001-04N
6	Detach shock absorber (6j) from spring control arm (6)	Installation: Raise wheel carrier (7) using transmission jack and transmission plate until the rear axle shaft (37) is roughly horizontal, then tighten all the bolted connections which have been screwed on loosely. Self-locking nut, shock absorber to spring control arm	*BA32.25-P-1001-03M
7	Remove spring control arm (6) from wheel carrier (7) and rear axle carrier (1)	Installation: Fit the bolted connections loosely. Installation: Spring control arm nuts and bolts on wheel carrier must be replaced each time they are removed. Self-locking nut, spring control arm to wheel carrier Self-locking nut, spring control arm to rear axle carrier	*BA35.20-P-1002-01D *BA35.20-P-1001-01D
	Check		
8	Check rubber bushing (6b) in rear axle carrier (1)	If necessary: ↓ Remove/install rubber bushing (6b) on spring control arm (6) Removal and installation tool Extraction and insertion tool Press	AR35.20-P-0114-01CW *220589014300 *204589044300 *202589044310
9	Check supporting joint (6a) in wheel carrier (7)	If necessary: ↓ Remove/install supporting ball joint (6a) of wheel carrier (7) Antifriction paste, rubber parts 2.5 kg, DBL 6867.00 Removal and installation tool Insertion tool	AR35.20-P-0116-01CW *BR00.45-Z-1002-06A *202589004300 *204589024300
10	Install in the reverse order		
11	Perform wheel alignment check		AR40.20-P-0200EW

Rear axle torsion bar

Number	Designation			Model 212	Model 218
BA32.20-P-1001-04N	Nut, link rod to spring control arm	Stage 1	Nm	20	20
		Stage 2	∠°	180	180

Rear axle shock absorber

Number	Designation			Model 212	Model 218
BA32.25-P-1001-03M	Self-locking nut, shock absorber to spring control arm	Stage 1	Nm	60	60
		Stage 2	∠°	60	60

Spring control arm

Number	Designation			Model 212	Model 218
BA35.20-P-1001-01D	Self-locking nut, spring control arm to rear axle carrier	Stage 1	Nm	50	50
		Stage 2	∠°	90	90

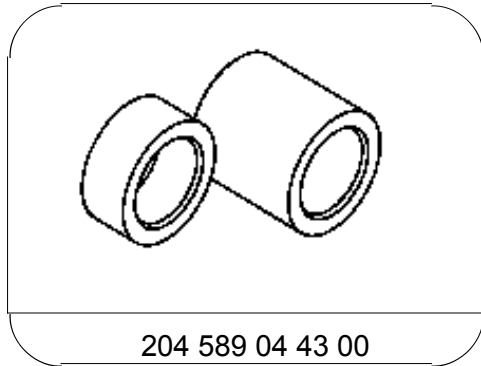
Spring control arm

Number	Designation			Model 212	Model 218
--------	-------------	--	--	-----------	-----------

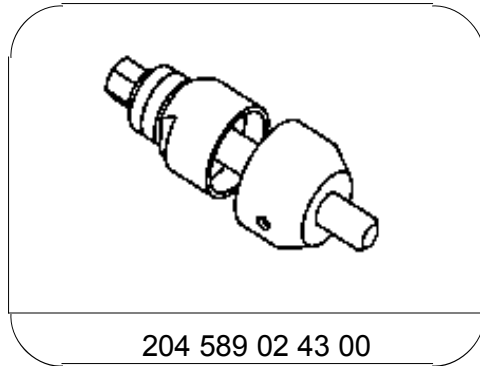
BA35.20-P-1002-01D	Self-locking nut, spring control arm to wheel carrier	Stage 1	Nm	80	80
		Stage 2	⊘°	90	90

Nm Frame floor assembly

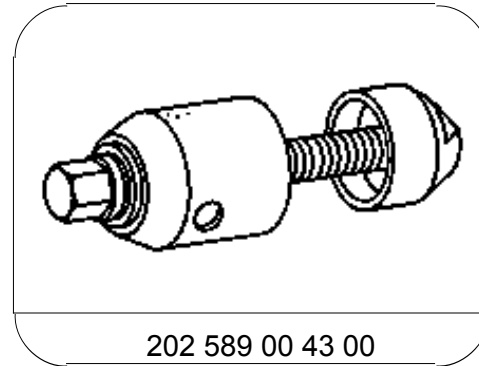
Number	Designation		Model 212	Model 218
BA61.10-P-1006-01H	Bolt, rear diagonal strut bracket mount to body	Nm	60	60



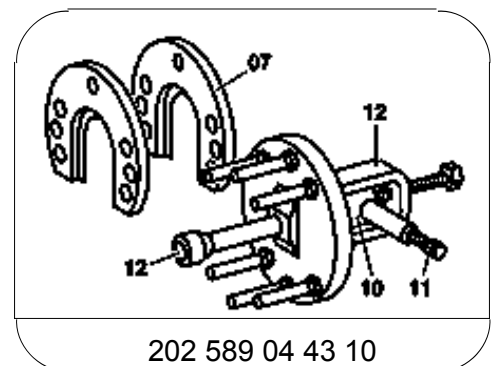
204 589 04 43 00
Extraction and insertion tool



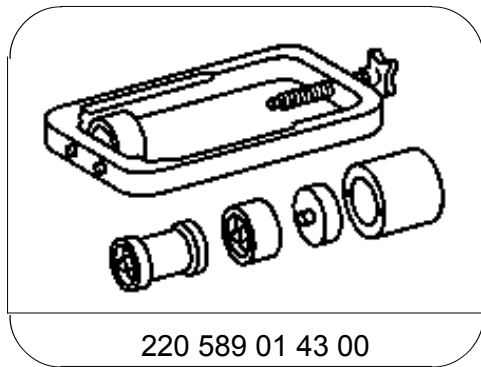
204 589 02 43 00
Insertion tool



202 589 00 43 00
Removal and installation tool



202 589 04 43 10
Press



220 589 01 43 00
Removal and installation tool

Repair materials

Number	Designation	Order number
BR00.45-Z-1002-06A	Antifriction paste, rubber parts 2.5 kg, DBL 6867.00	A 000 989 01 60