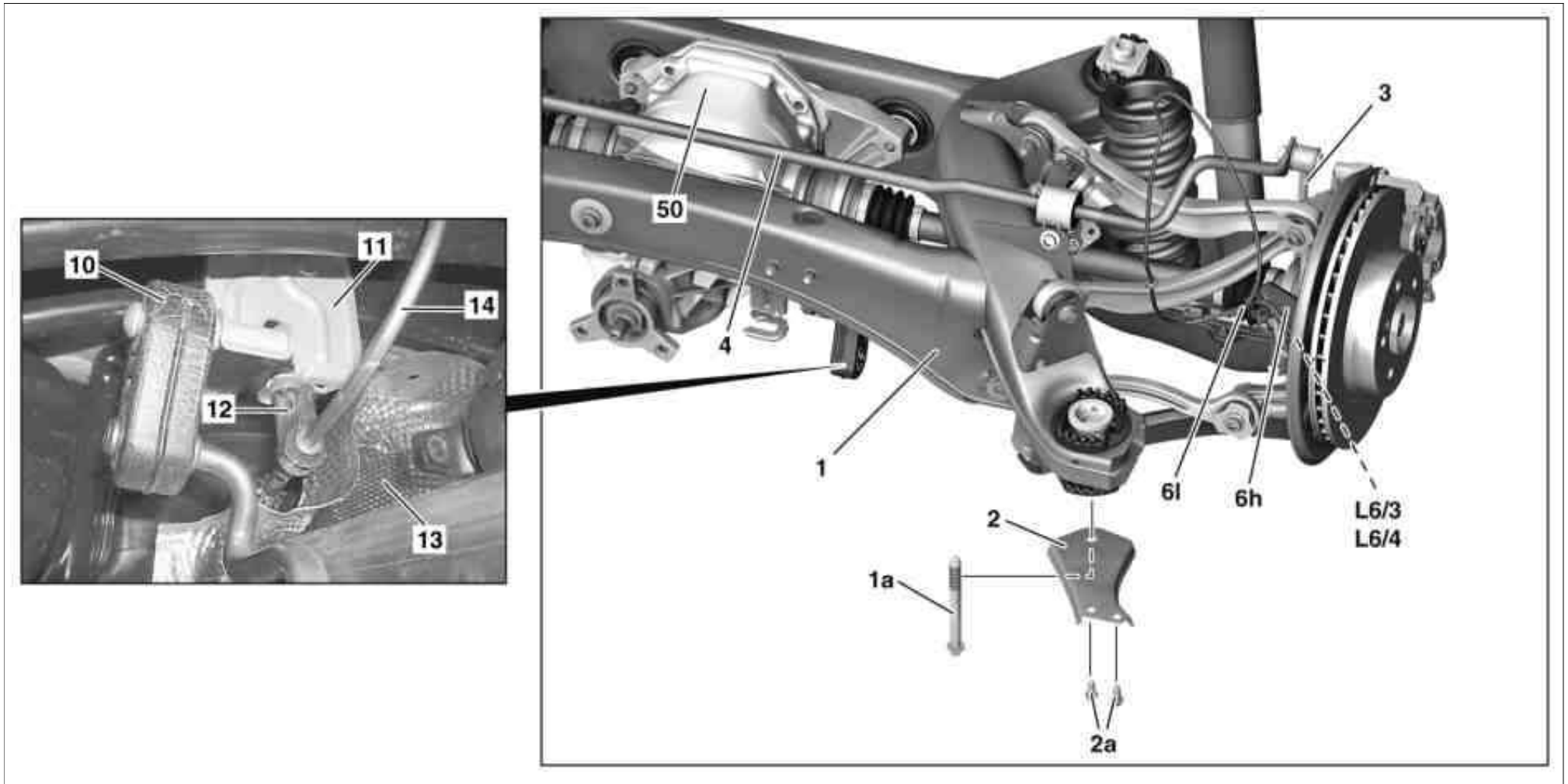


Document title Remove/install stabilizer bar on rear axle

Document number ar3220p0315ew



P32.35-2033-09

1 Rear axle carrier

3 Link rod

4 Stabilizer bar

☒ ☒	Remove/install		
	Risk of death caused by vehicle slipping or toppling off of the lifting platform.	Align vehicle between columns of vehicle lift and position four support plates at vehicle lift support points specified by vehicle manufacturer.	AS00.00-Z-0010-01A
⚠	Notes on self-locking nuts and bolts		AH00.00-N-0001-01A
		⚠ While working on the rear axle care must be taken to ensure that the surface of all aluminum components do not get any scratches, cracks and notches. Otherwise the service life of the parts will be reduced.	
1	Lower front rear axle carrier (1)		AR35.10-P-0015EW
2	Detach link rods (3) from torsion bar (4)	Nm	*BA32.20-P-1002-04N
3	Detach torsion bar (4) from rear axle carrier (1) and remove	Nm	*BA32.20-P-1003-04N
4	Install in the reverse order		

Nm Rear axle stabilizer bar

Number	Designation		Model 212	Model 218
BA32.20-P-1002-04N	Nut, link rod to stabilizer bar	Nm	50	40
BA32.20-P-1003-04N	Bolt, torsion bar to rear axle carrier	Nm	80	80