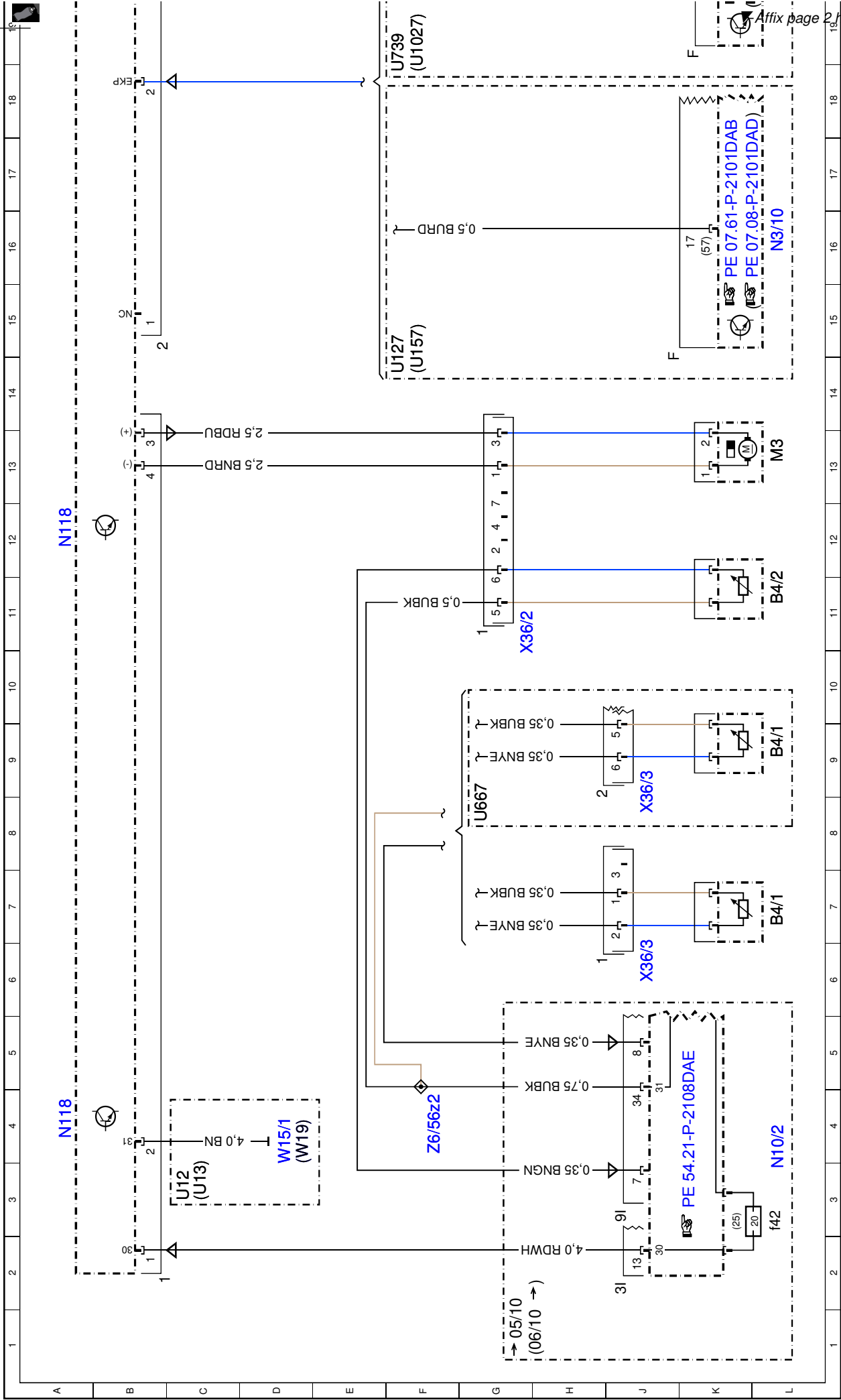


Document number: pe47.40-p-2101-97daa

Document title: Wiring diagram for fuel pump control unit

Code: **Designation:** **Position:**

A0	Color code key	40L
B4/1	Left fuel level indicator sensor	7L
B4/1	Left fuel level indicator sensor	9L
B4/2	Right fuel level indicator sensor	11L
B4/7	Fuel pressure sensor	27L
CAN C	Drive train CAN	24K
M3	Fuel pump (FP)	13L
N10/1	Front SAM control unit with fuse and relay module	31L
N10/1f34	Fuse 34	30L
N10/2	Rear SAM control unit with fuse and relay module	4L
N10/2f42	Fuse 42	3L
N118	Fuel pump control unit	4A
N118	Fuel pump control unit	12A
N118	Fuel pump control unit	20A
N118	Fuel pump control unit	28A
N3/10	ME-SFI [ME] control unit	16L
N3/10	ME-SFI [ME] control unit	20L
U1027	Valid for gasoline engine 271 continuous fuel injection system (electronic)	18F
U12	Valid for left-hand drive vehicles	3C
U127	Valid for combustion engines 272 and 273 KE	14F
U127	Valid for combustion engines 272 and 273 KE	26F
U13	Valid for right-hand drive vehicles	3C
U157	Valid for combustion engine 272 DE	14F
U157	Valid for combustion engine 272 DE	26F
U667	Valid for California	8G
U739	Valid for gasoline engine 271 DE	26F
U739	Valid for gasoline engine 271 DE	18F
W15/1	Right footwell ground point	4D
W19	Right front seat crossmember ground point	4D
X30/21	Drive train CAN voltage distributor electrical connector	24L
X36/2	Fuel pump and vehicle rear wiring harness electrical connector	11H
X36/3	Fuel pump harness electrical connector	6J
X36/3	Fuel pump harness electrical connector	9J
Z6/56z2	Circuit 31 connector sleeve	4F



Affix page 2 here ▼

