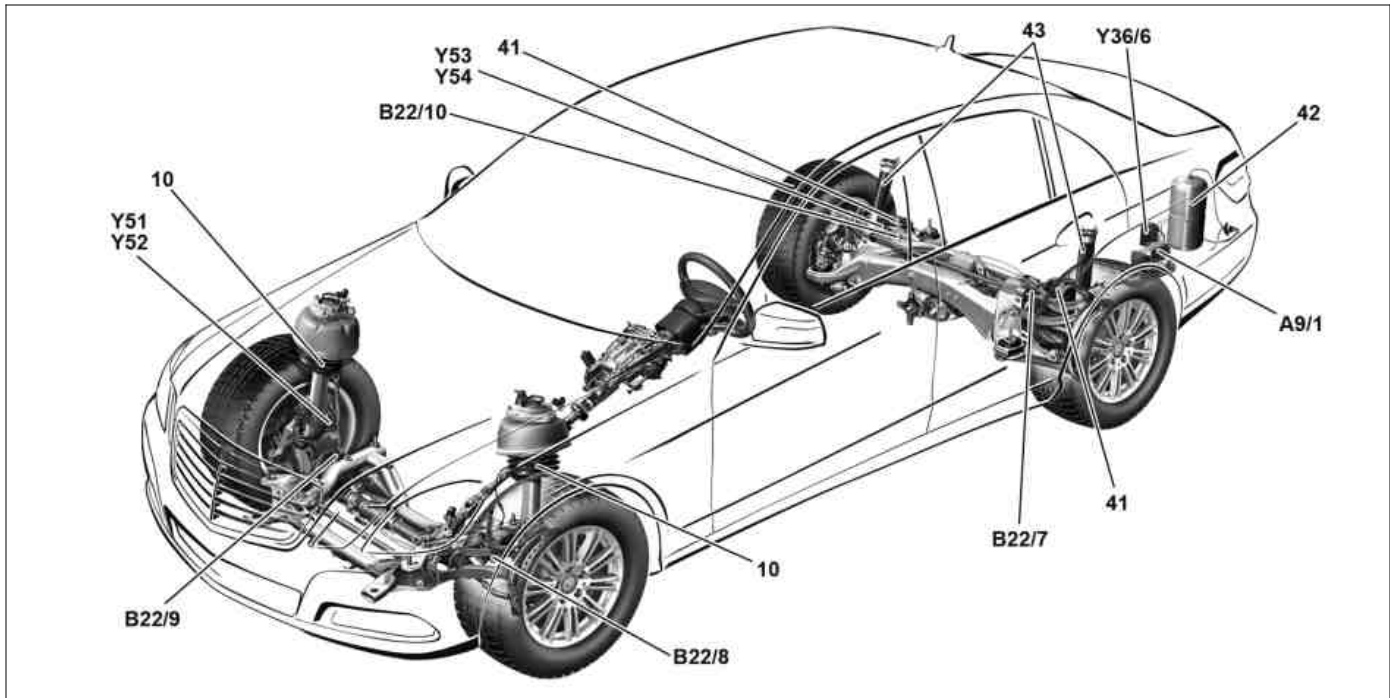


**MODEL 212**

with CODE 488 (Steel/air suspension)

with CODE 489 (AIRMATIC (air suspension with continuous damper adjustment))

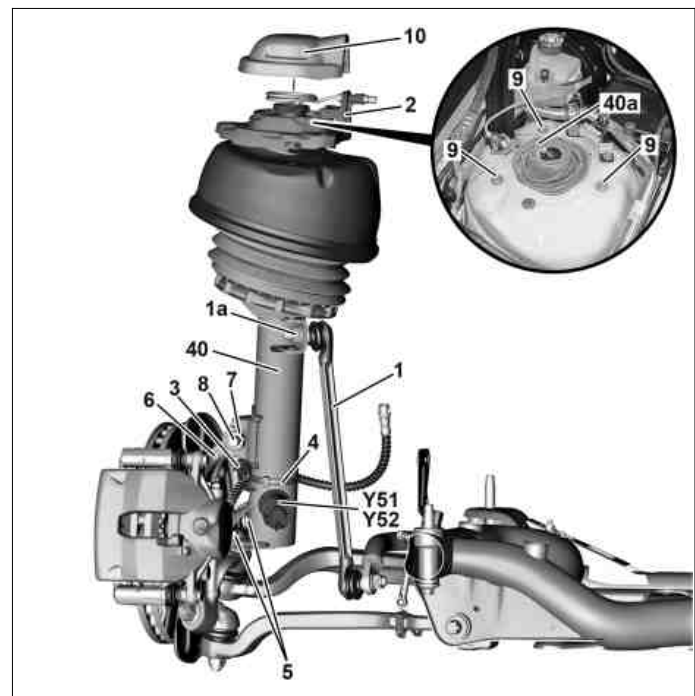


P32.22-2459-09

**Shown on model 212 with code (489) AIRmatic (air suspension with continuous damper adjustment)**

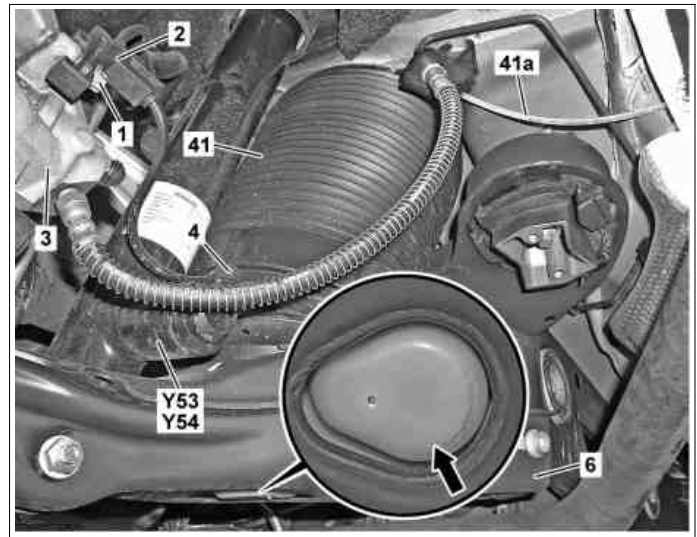
41	Air spring	A9/1	AIRMATIC compressor
42	Central reservoir (pressure reservoir)	Y36/6	AIRMATIC valve unit

6	Steering knuckle
8	Top screw/bolt
9	Screws/bolts
10	Cover
40	Air suspension strut
40a	Pressure line



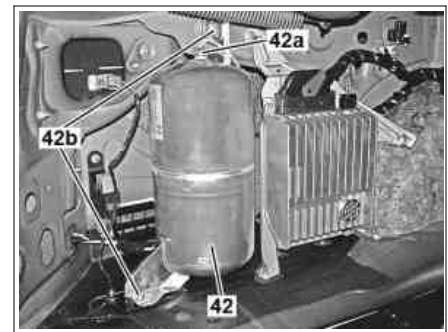
P32.22-2463-12

- 3 Brake caliper
- 6 Spring control arm
- 41 Air spring
- 41a Pressure line





P32.22-2461-11

- 42 Central reservoir (pressure reservoir)
- 42a Pressure line connection
- 42b Nuts



P32.22-2464-01

☒ ☒	Remove/install		
i	Notes on AIRmatic		AH32.22-P-1000-02EW
1	Open engine hood and raise to vertical position		
2	Remove cover (10) over suspension strut tower	i Wait for approximately 10 to 15 minutes after spraying the leakage detection spray. This allows smaller leaks to be detected (bubbles form). Larger leaks can be seen immediately.	
◀	<b>Check</b>		
3	Check pressure line connections (40a) on front air suspension struts (40)	Leak detection spray for USA  Leak detection spray Nm Pressure line to front suspension strut/valve unit ☒ Knife ☒ Socket wrench bit Use leakage detection spray to check for leakages, if necessary: ↓ Repair AIRmatic pressure line connection.	*BR00.45-Z-1004-03A  *BR00.45-Z-1002-03A *BA32.22-P-1011-03E  *000589122800  AR32.22-P-2001-02SX AR00.60-P-0100EWS
4	Raise vehicle using the vehicle lift and secure in place		
◀	<b>Check</b>		
5	Check pressure line connections (41a) on air springs (41)	Leak detection spray for USA  Leak detection spray Nm Pressure line to air suspension/valve unit ☒ Socket wrench bit ☒ Knife Use leakage detection spray to check for leakages, if necessary:	BR00.45-Z-1004-03A  BR00.45-Z-1002-03A *BA32.22-P-1010-03E  *000589122800

		Repair AIRmatic pressure line connection.	AR32.22-P-2001-02SX AR32.22-P-2017EW
6	Create access to central reservoir (42) for leak test		
	 <b>Check</b>		
7	Check pressure line connection (42a) on central reservoir (42)	Leak detection spray for USA  Leak detection spray  Pressure line, pressure reservoir to pressure reservoir  Knife  Socket wrench bit Use leakage detection spray to check for leakages, if necessary: ↓ Repair AIRmatic pressure line connection.	BR00.45-Z-1004-03A  BR00.45-Z-1002-03A *BA32.22-P-1008-03E  *000589122800  AR32.22-P-2001-02SX AR32.22-P-2001EW
8	Create access to AIRMATIC compressor (A9/1) for leak test		
	 <b>Check</b>		
9	Check pressure line connections on AIRMATIC compressor (A9/1)	Leak detection spray for USA  Leak detection spray  Pressure line to compressor/valve unit  Socket wrench bit  Knife Use leakage detection spray to check for leakages, if necessary: ↓ Repair AIRmatic pressure line connection.	BR00.45-Z-1004-03A  BR00.45-Z-1002-03A *BA32.22-P-1007-03E  *000589122800  AR32.22-P-2001-02SX AR32.22-P-2015EW
10	Create access to AIRmatic valve unit (Y36/6) for leak test		
	 <b>Check</b>		
11	Check pressure line connections on AIRMATIC valve unit (Y36/6)	Leak detection spray for USA  Leak detection spray  Pressure line, pressure reservoir to valve unit  Knife  Socket wrench bit Use leakage detection spray to check for leakages, if necessary: ↓ Repair AIRmatic pressure line connection.	BR00.45-Z-1004-03A  BR00.45-Z-1002-03A *BA32.22-P-1009-03E  *000589122800  AR32.22-P-2001-02SX
12	Install in the reverse order		

 Air suspension

Number	Designation		MODEL 212
BA32.22-P-1007-03E	Pressure line to compressor/valve unit	Nm	3,5 (±0,5)

 Air suspension

Number	Designation		MODEL 212
BA32.22-P-1011-03E	Pressure line to front suspension strut/valve unit	Nm	2 (+0,5)

 Air suspension

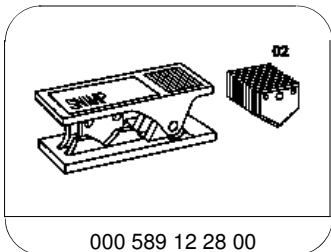
Number	Designation		MODEL 212
BA32.22-P-1008-03E	Pressure line, pressure reservoir to pressure reservoir	Nm	5 (+0,5)

**Nm** Air suspension

Number	Designation		MODEL 212
BA32.22-P-1009-03E	Pressure line, pressure reservoir to valve unit	Nm	2 (+0,5)

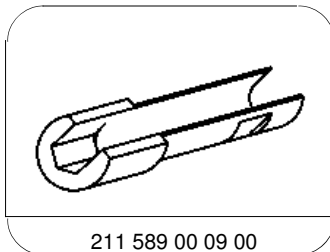
**Nm** Air suspension

Number	Designation		MODEL 212
BA32.22-P-1010-03E	Pressure line to air suspension/valve unit	Nm	2 (+0,5)



000 589 12 28 00

Knife



211 589 00 09 00

Socket wrench bit

**Repair materials**

Number	Designation	Order number
BR00.45-Z-1002-03A	Leak detection spray	Christof Fischer GmbH, Augsburger Strasse 289-293, 70327 Stuttgart Germany Tel. +49 711 30502-0 Fax +49 711 30502-10 www.kaeltfischer.de
BR00.45-Z-1004-03A	Leakage detection spray for USA	LIQUI MOLY Gary Boyd 1820 Clark Avenue Long Beach, CA 90815 USA Phone +1 562 5975519 Fax: +1 562 5975269 www.liqui-moly.com