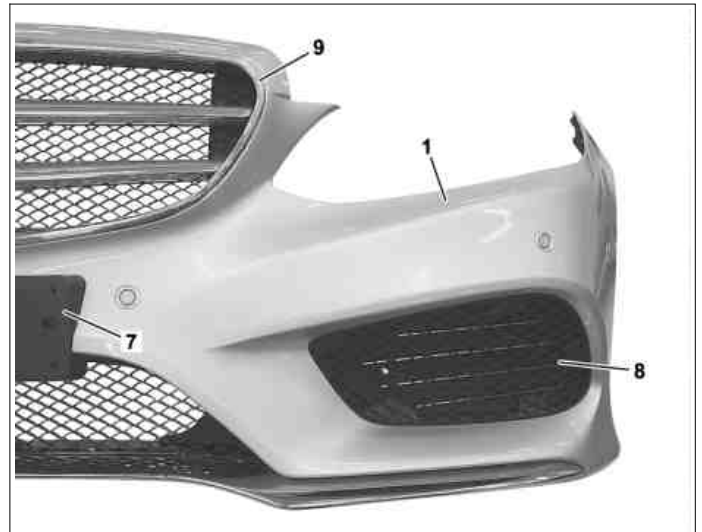


Model 212
as of model year 2014

Shown with CODE 954 (AVANTGARDE)

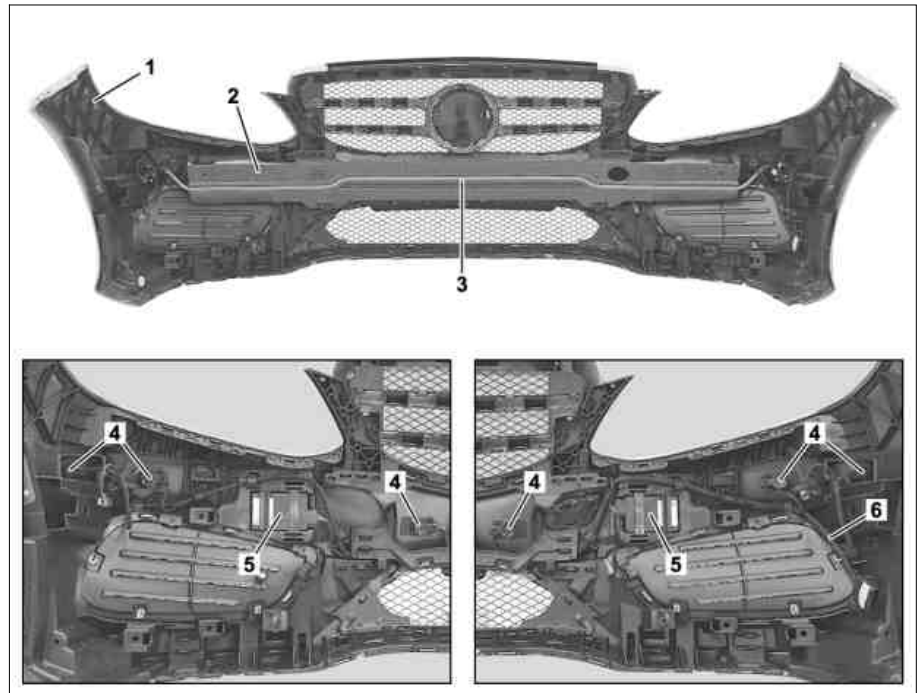
- 1 Front bumper
- 7 License plate bracket
- 8 Air grille
- 9 Chrome molding on radiator trim



P88.20-3970-11

Shown with CODE 954 (AVANTGARDE)

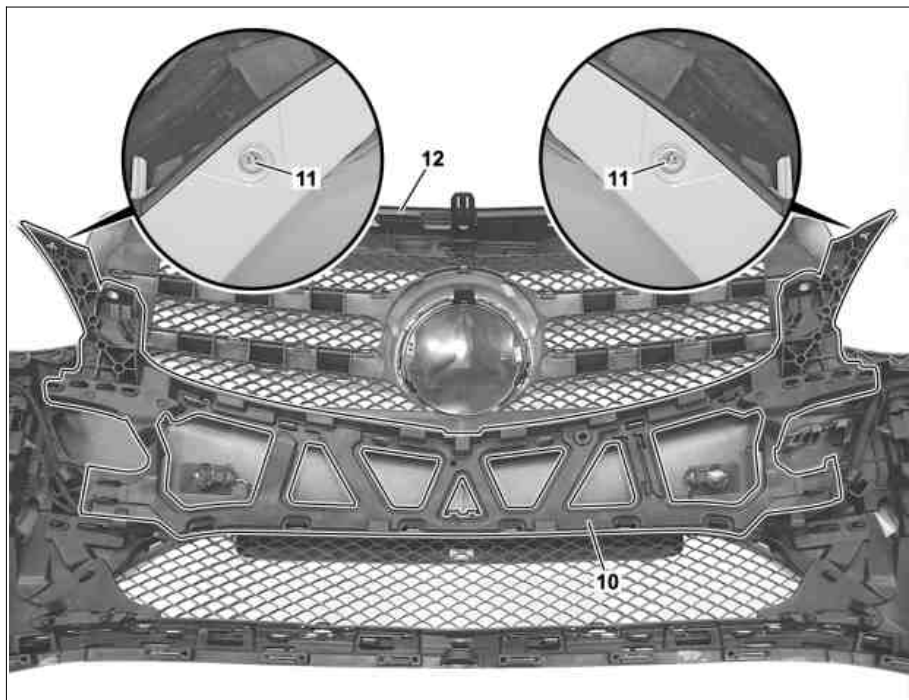
- 1 Front bumper
- 2 Impact absorber
- 3 Pedestrian protection sensor
- 4 Parktronic sensors
- 5 DISTRONIC Plus sensor
- 6 Electrical wiring harness



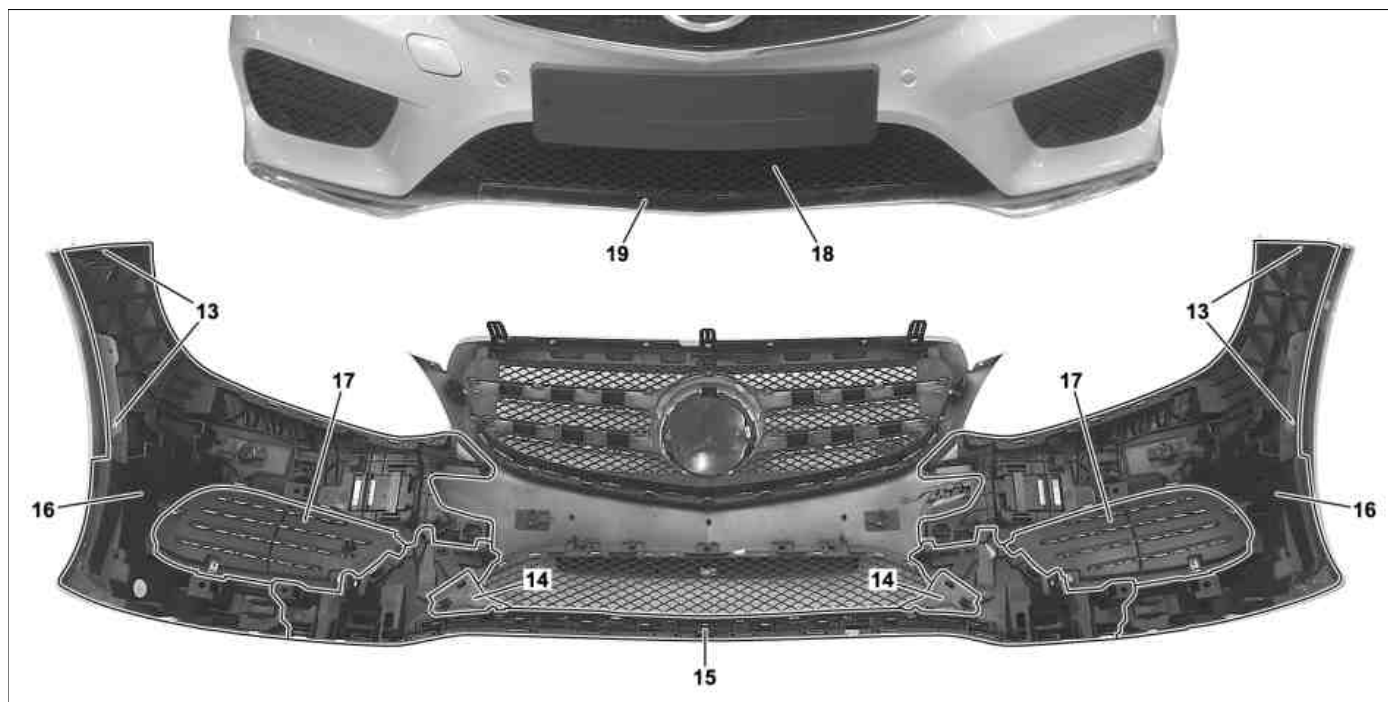
P88.20-3966-06

Shown with CODE 954 (AVANTGARDE)

- 10 Center basic carrier
- 11 Blind rivet
- 12 Lip



P88.20-3967-06



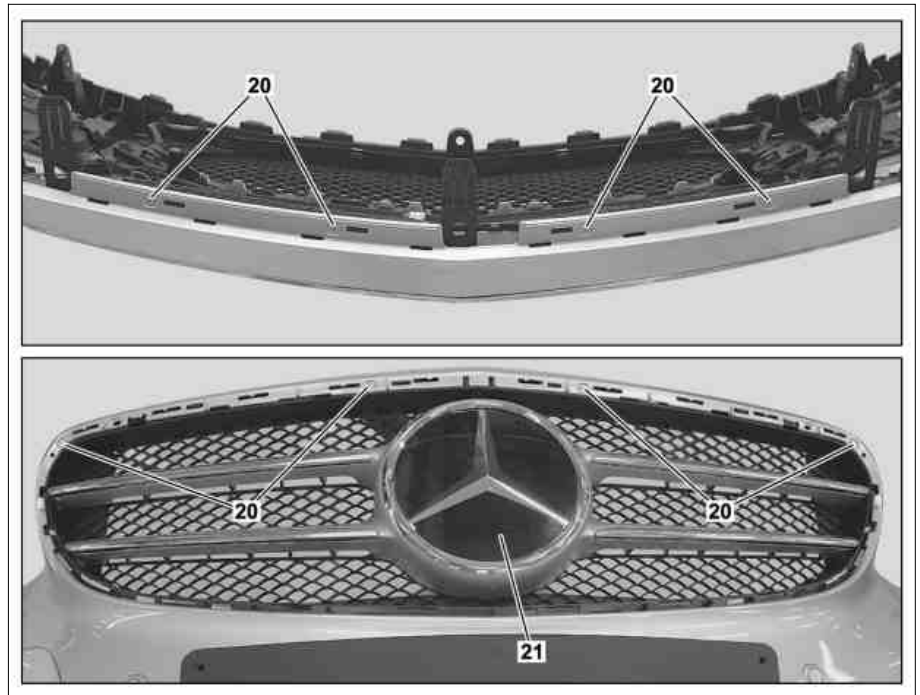
P88.20-3969-09

Shown with CODE 954 (AVANTGARDE)

- | | |
|-------------------------|----------------------|
| 13 Pop rivets | 17 Air grille cover |
| 14 Bracket | 18 Bottom air grille |
| 15 Bottom basic carrier | 19 Lower trim piece |
| 16 Side basic carrier | |

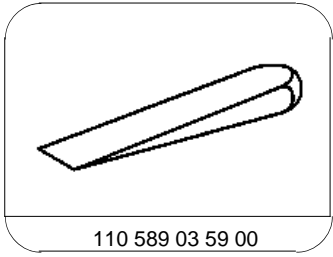
Shown with CODE 954 (AVANTGARDE)

- 20 Pop rivets
- 21 Radiator grille



P88.40-3082-06

	Disassemble/assemble		
1	Remove front bumper (1)		AR88.20-P-2000EWM
2	Remove license plate bracket (7)		
3	Remove air grille (8)		
4	Remove chrome molding on radiator grille (9) from radiator grille	☑ Mounting wedge	*110589035900
5	Remove pedestrian protection sensors (3)	With CODE U60 (Pedestrian protection)	AR91.60-P-0950EWM
6	Remove impact absorber (2) General information on the impact absorber		AH88.20-P-1000-01A
7	Drill out blind rivets (11) and remove center basic carrier (10)	☑ Mounting wedge	*110589035900
8	Remove Parktronic sensors (4) with electrical wiring harness (6)	With CODE 220 (PARKTRONIC) with CODE 230 (Exclusive parking assist) i If installed.	AR54.65-P-0001EW
9	Remove DISTRONIC Plus sensors (5) with electrical wiring harness (6)	With CODE 233 (DISTRONIC PLUS) i If installed.	
10	Drill out blind rivets (13) and remove bracket (14), bottom basic carrier (15) and side basic carrier (16)	☑ Mounting wedge	*110589035900
11	Remove air grille covers (17) and bottom air grille (18)	☑ Mounting wedge	*110589035900
12	Remove lower trim piece (19)	☑ Mounting wedge	*110589035900
13	Remove sealing lip (12)		
14	Drill out blind rivets (20) and remove radiator grille (21) toward rear	☑ Mounting wedge	*110589035900
15	Assemble in the reverse order		
16	Check		
16	Check whether PARKTRONIC or active parking assist is ready for operation	i Switch on ignition and PARKTRONIC, engage reverse gear and release parking brake. The PARKTRONIC automatically performs a self-test and the operational readiness is signaled via the warning indicators.	



110 589 03 59 00

Mounting wedge