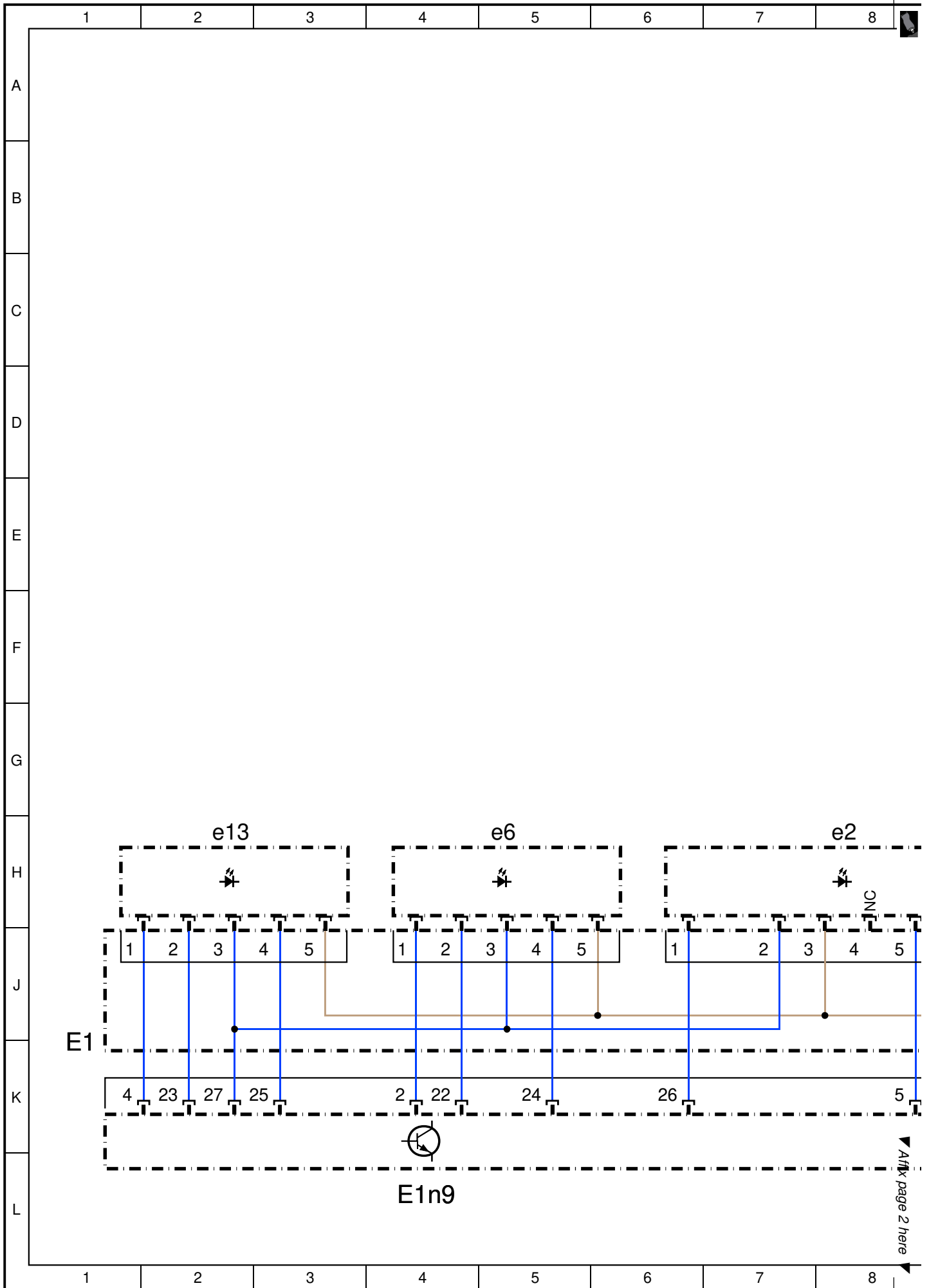
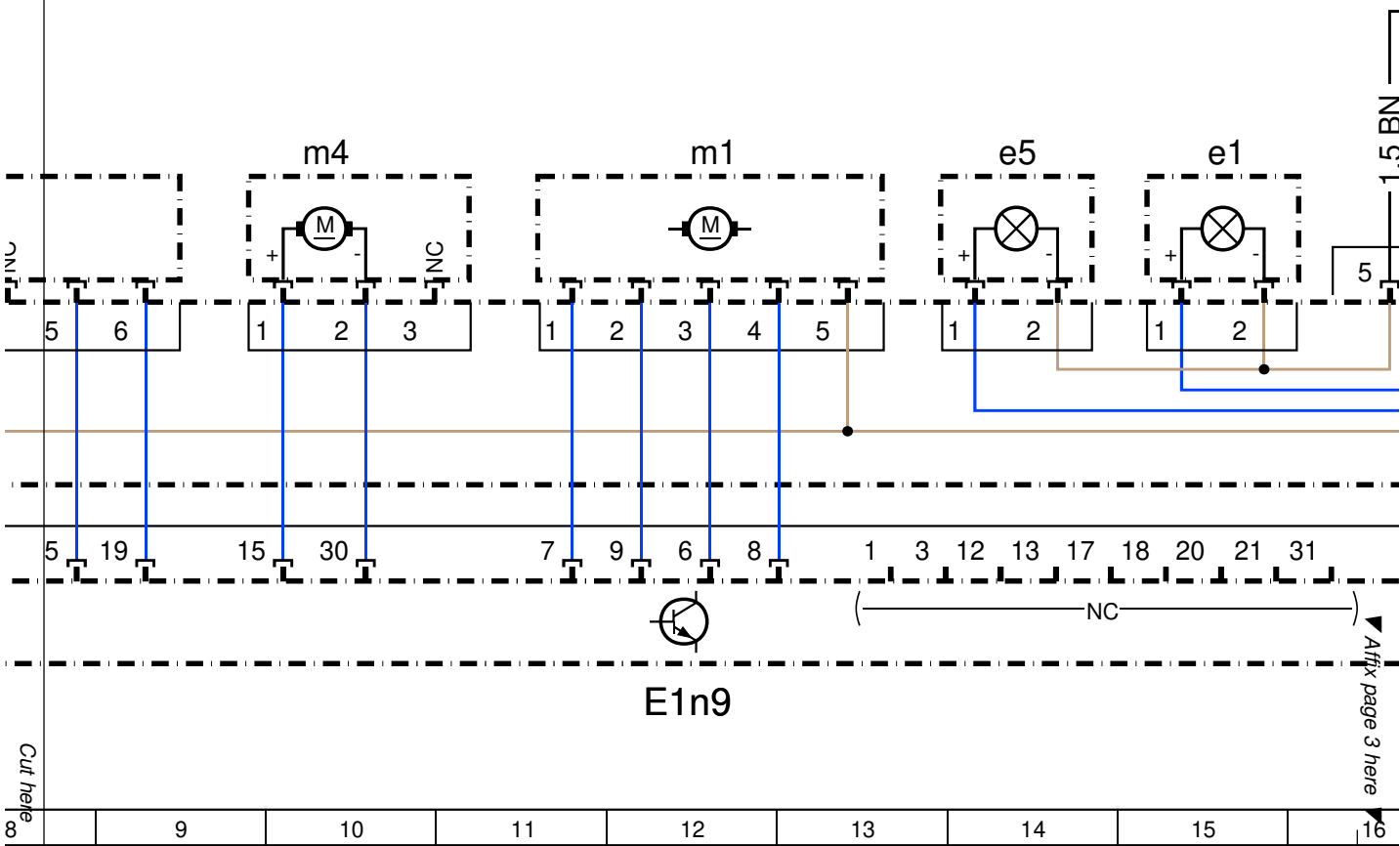
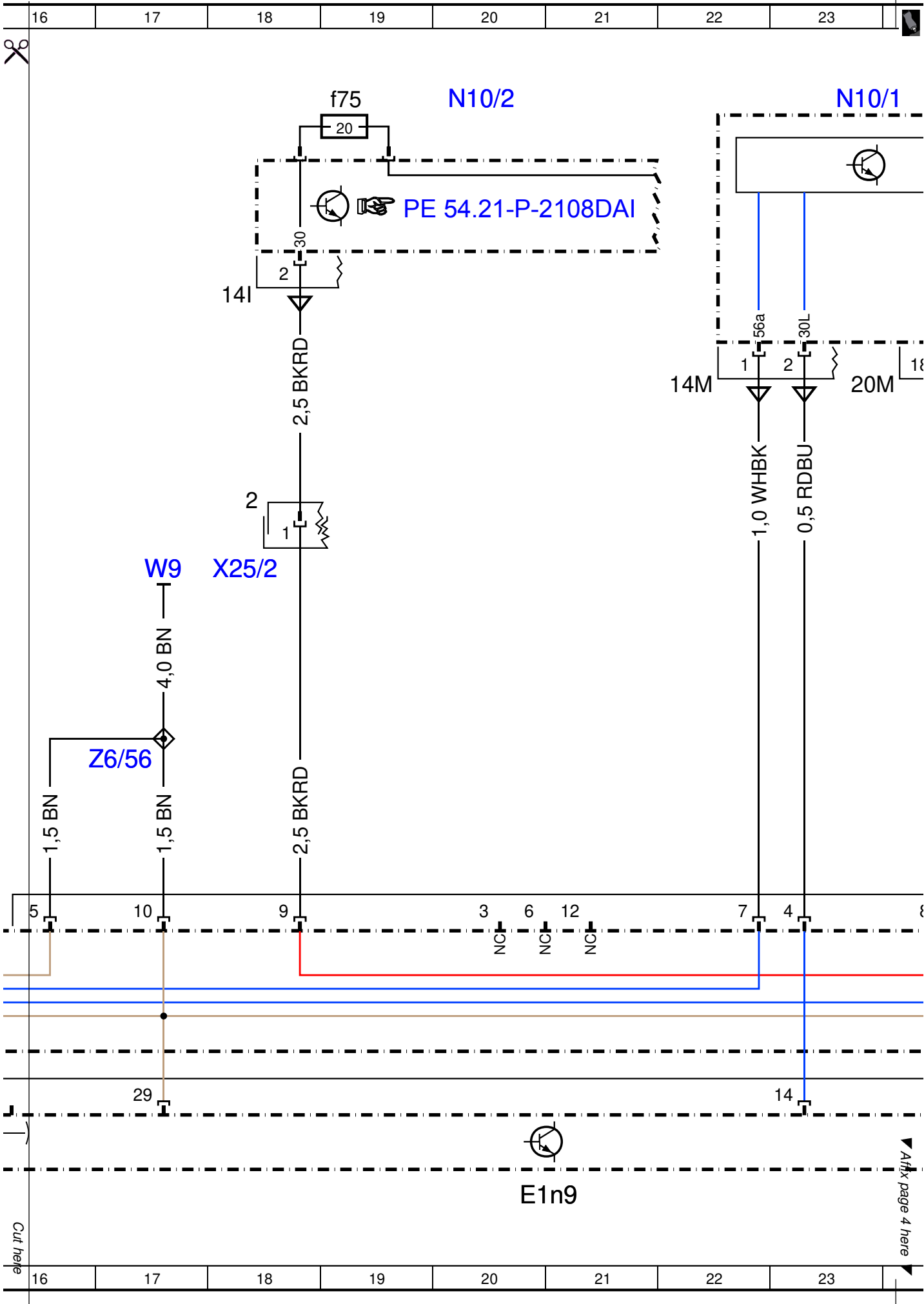


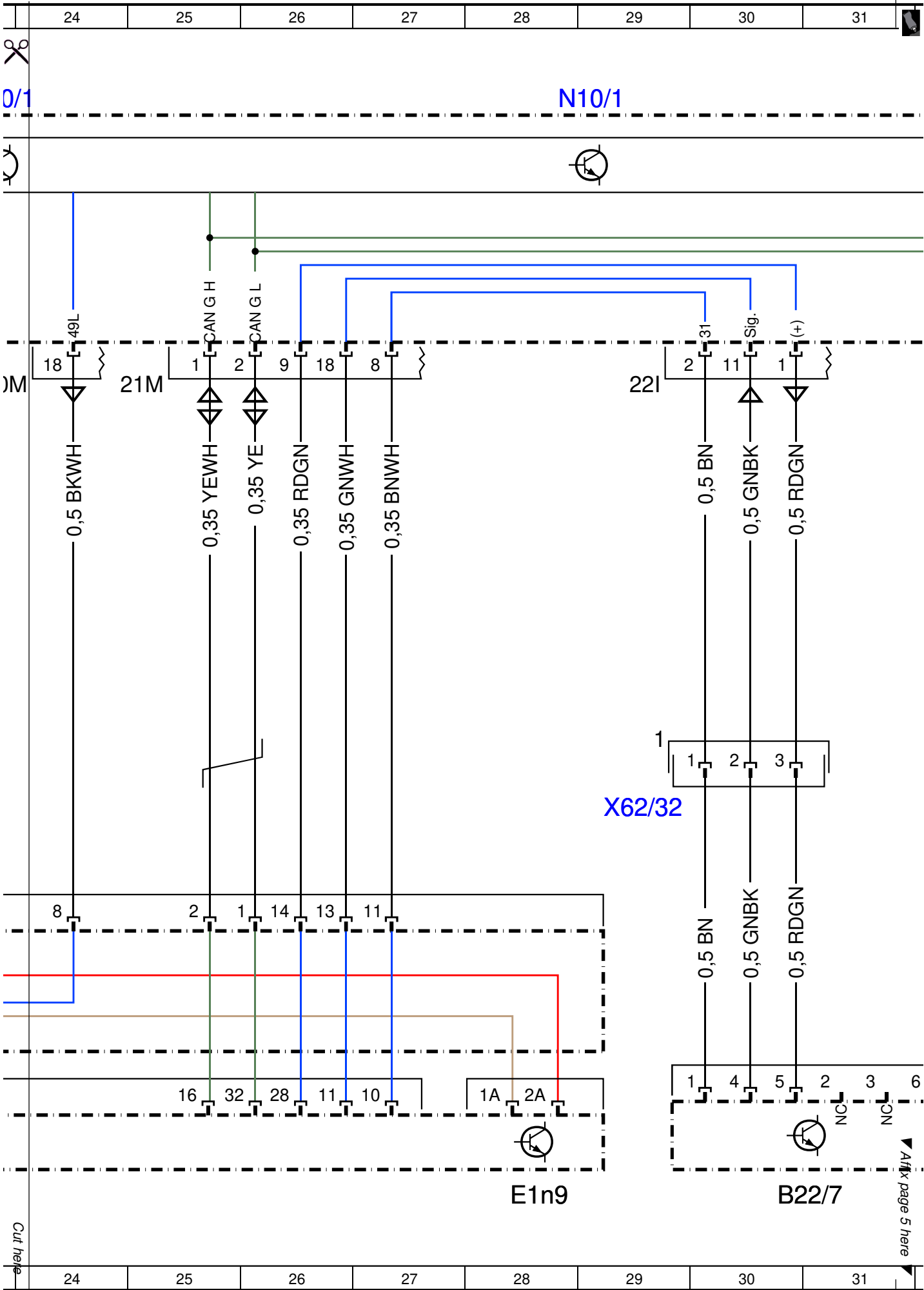
Document number: pe82.10-p-2000-97dab
Document title: Wiring diagram of exterior lights

Code:	Designation:	Position:
A0	Color code key	64L
B22/7	Left rear level sensor	30L
Code 494	USA version	58A
E1	Left front lamp unit	1K
E1e1	Left high beam	15H
E1e13	Left parking light and daytime running light	2H
E1e2	Left low beam	8H
E1e5	Left front turn signal lamp	14H
E1e6	Left front side-marker lamp	5H
E1m1	Left headlamp range adjustment actuator motor	12H
E1m4	Left LED signaling lights actuation module fan motor	10H
E1n9	Left headlamp control unit	4L
E1n9	Left headlamp control unit	12L
E1n9	Left headlamp control unit	20L
E1n9	Left headlamp control unit	28L
E2	Right front lamp unit	32K
E2e1	Right high beam	46H
E2e13	Right parking light and daytime running light	34H
E2e2	Right low beam	39H
E2e5	Right front turn signal lamp	45H
E2e6	Right front side-marker lamp	36H
E2m1	Right headlamp range adjustment actuator motor	43H
E2m4	Right LED signaling lights actuation module fan motor	41H
E2n9	Right headlamp control unit	33L
E2n9	Right headlamp control unit	37L
E2n9	Right headlamp control unit	46L
E2n9	Right headlamp control unit	52L
E2n9	Right headlamp control unit	58L
N10/1	Front SAM control unit with fuse and relay module	23A
N10/1	Front SAM control unit with fuse and relay module	28A
N10/1	Front SAM control unit with fuse and relay module	37A
N10/1	Front SAM control unit with fuse and relay module	45A
N10/1	Front SAM control unit with fuse and relay module	52A
N10/2	Rear SAM control unit with fuse and relay module	20A
N10/2	Rear SAM control unit with fuse and relay module	56A
N10/2	Rear SAM control unit with fuse and relay module	61A
N10/2f74	Fuse 74	55A
N10/2f75	Fuse 75	19A
N10/2f89	Fuse 89	60A
U2	Valid for all except USA	54A
W2	Right front ground point at lamp unit	48E
W9	Left front ground point (at lamp unit)	17E
X25/2	Engine compartment/interior electrical connector	18E
X25/2	Engine compartment/interior electrical connector	57G
X62/32	Rear axle electrical connector, left distributor	29H
Z6/56	Circuit 31 connector sleeve	17G
Z6/97	Right lamp unit circuit 31 connector sleeve	48G



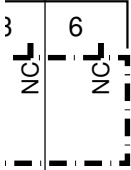
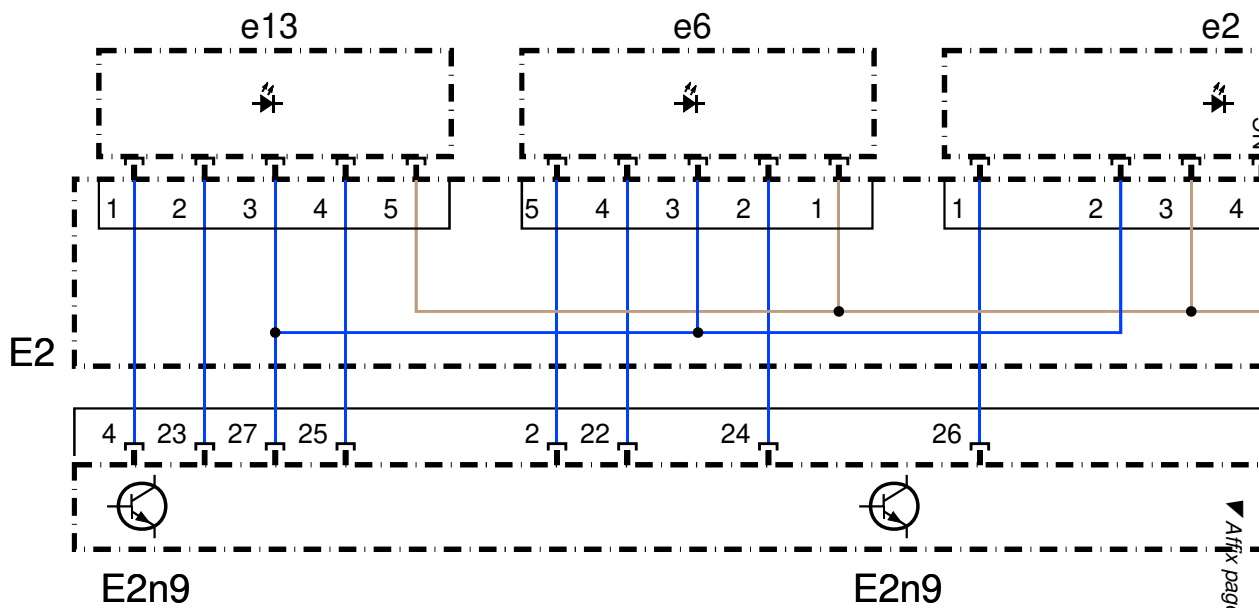








N10/1

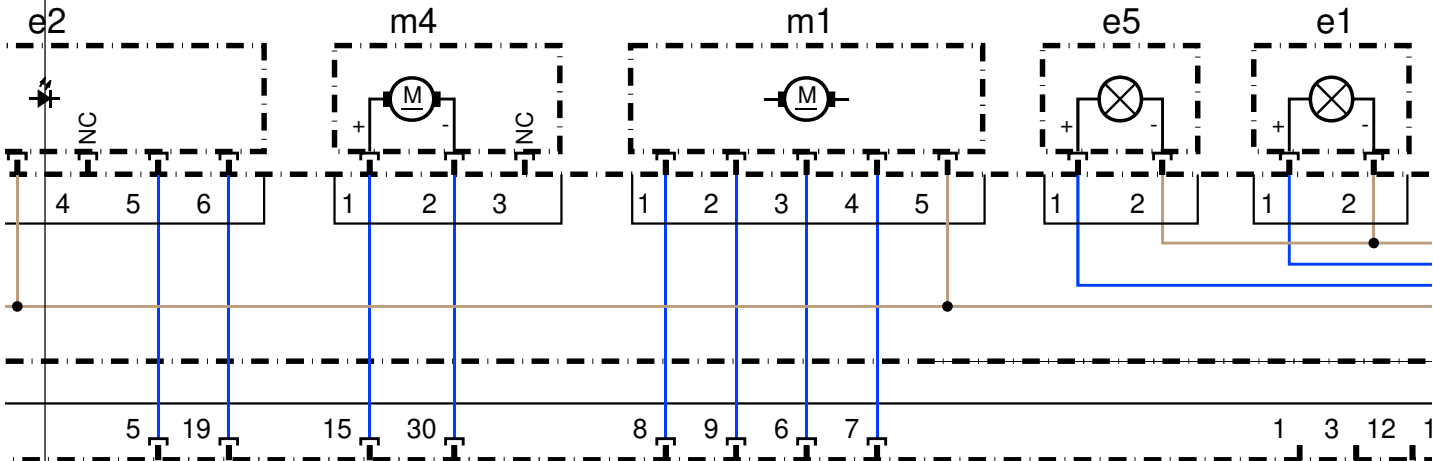


Cut here

▲ Affix page 6 here



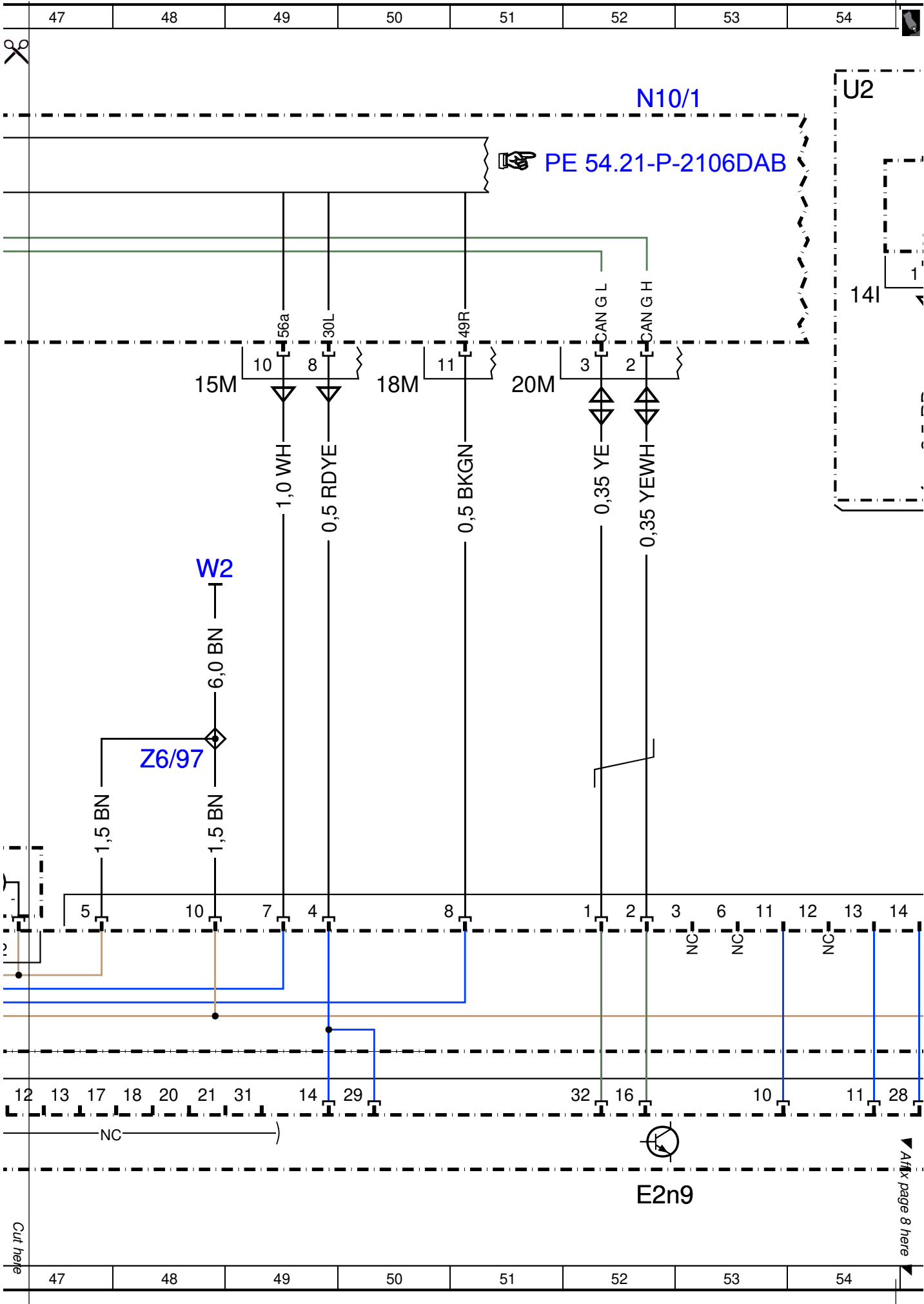
N10/1

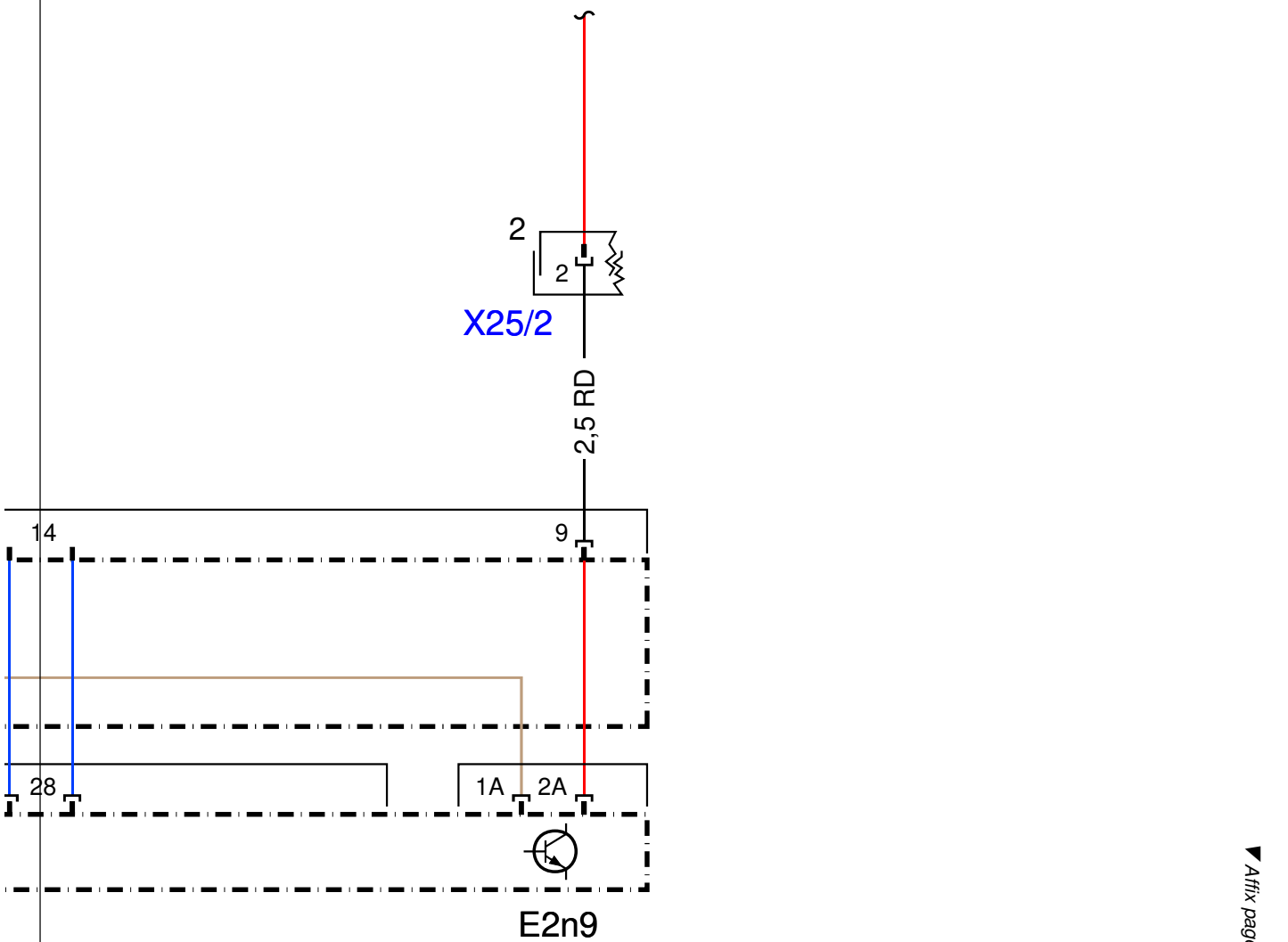
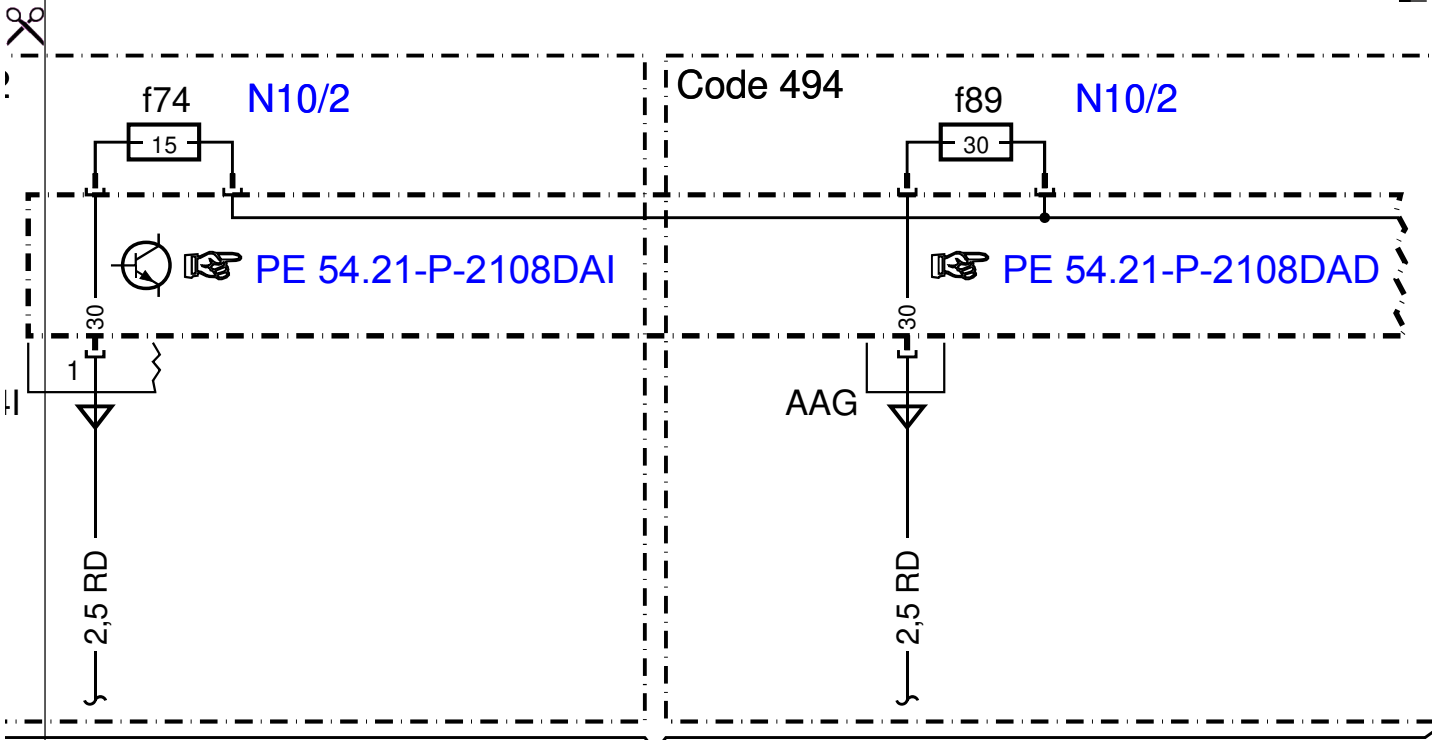


E2n9

▲ Affix page 7 here

▼ Cut here





Cut here

▼ Affix page 9 here

