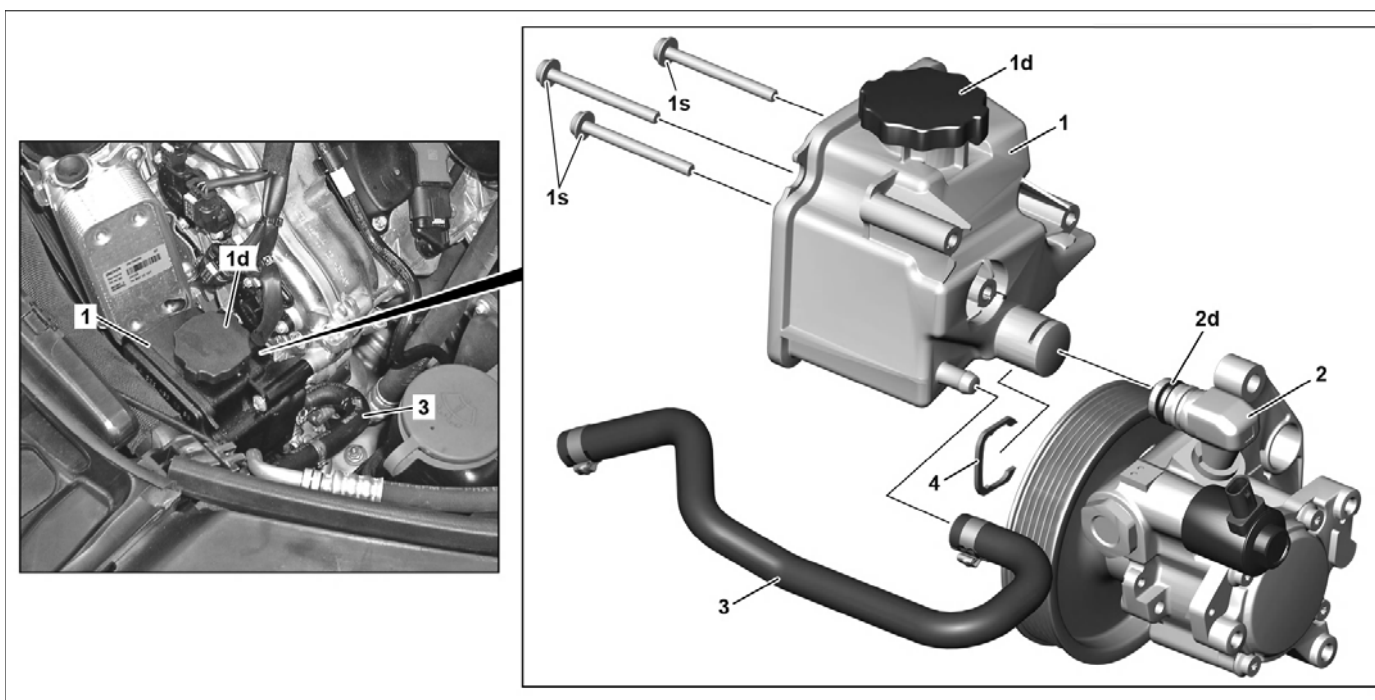



MODEL 212 with ENGINE 272, 273




P46.30-2280-09

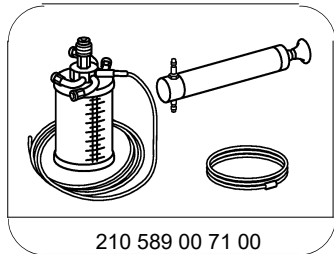
- 1 Power steering expansion reservoir
- 1d Cap
- 1s Bolts
- 2 Power steering pump
- 2d Sealing ring
- 3 Return flow pipe
- 4 Clip

☒ ☒	Remove/install		
	Risk of injury to skin or eyes from hydraulic fluid spraying out under pressure. Risk of poisoning from swallowing hydraulic fluid.	Depressurize hydraulic system completely before starting any work on it. Wear protective clothing and safety glasses.	AS00.00-Z-0013-01A
1	Open engine hood and raise to vertical position	ⓘ MODEL 212 with CODE U60 (Pedestrian protection) Close engine hood: The clamping lever must be fitted and locked.	AR88.40-P-1000EW
2	Remove front engine cover	ⓘ Pull the front engine cover upward and out of the mountings.	
3	Remove the left engine intake air duct		
4	Remove cap (1d) and extract oil from the expansion reservoir (1)	☑ Hand pump	*210589007100
5	Remove coolant hose from holder on oil-water heat exchanger	ENGINE 273	
6	Detach return line (3) from expansion reservoir (1)	ⓘ Collect escaping oil with rags and seal connections immediately. ⓘ Installation: Replace hose clamp. ☑ Record plug	*129589009100
7	Remove screws/bolts (1s)	Nm Expansion reservoir bolt	*BA46.30-P-1003-01T
8	Press out clamp (4) to the side	ⓘ Use suitable screwdriver. ⓘ Installation: Mount clamp using press-on tool. ☑ Press-on tool	*272589014000
9	Remove expansion reservoir (1) from connection fitting of power steering pump (2)	ⓘ Seal off connection immediately. ☑ Record plug	*129589009100

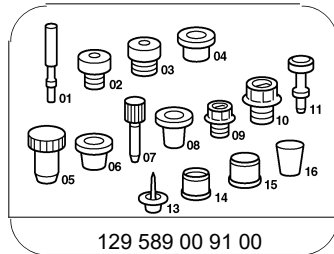
10	Install in the reverse order		
11	Fill and bleed power steering pump (2)		AR46.30-P-0010EW
12	Check oil level in expansion reservoir (1) and correct if necessary		
 AP		MODEL 212 except CODE 211 (Direct steering)	AP46.00-P-4612EW

 Power steering pump

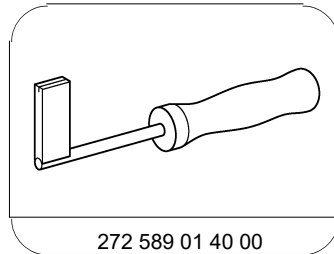
Number	Designation		MODEL 212
BA46.30-P-1003-01T	Expansion reservoir bolt	Nm	9



Hand pump



Record plug



Press-on tool