

- Parts list -

Vehicle	WDDHF5FB3EB057429 (D04)	E 300 Sedan	
Color	890 - undefined	Equipment	215 -
FIN: WDD2120551B057429		Assortment class	PC
Group	83 Heating and ventilation	Sub-group	110 Water deflector with intake bowl

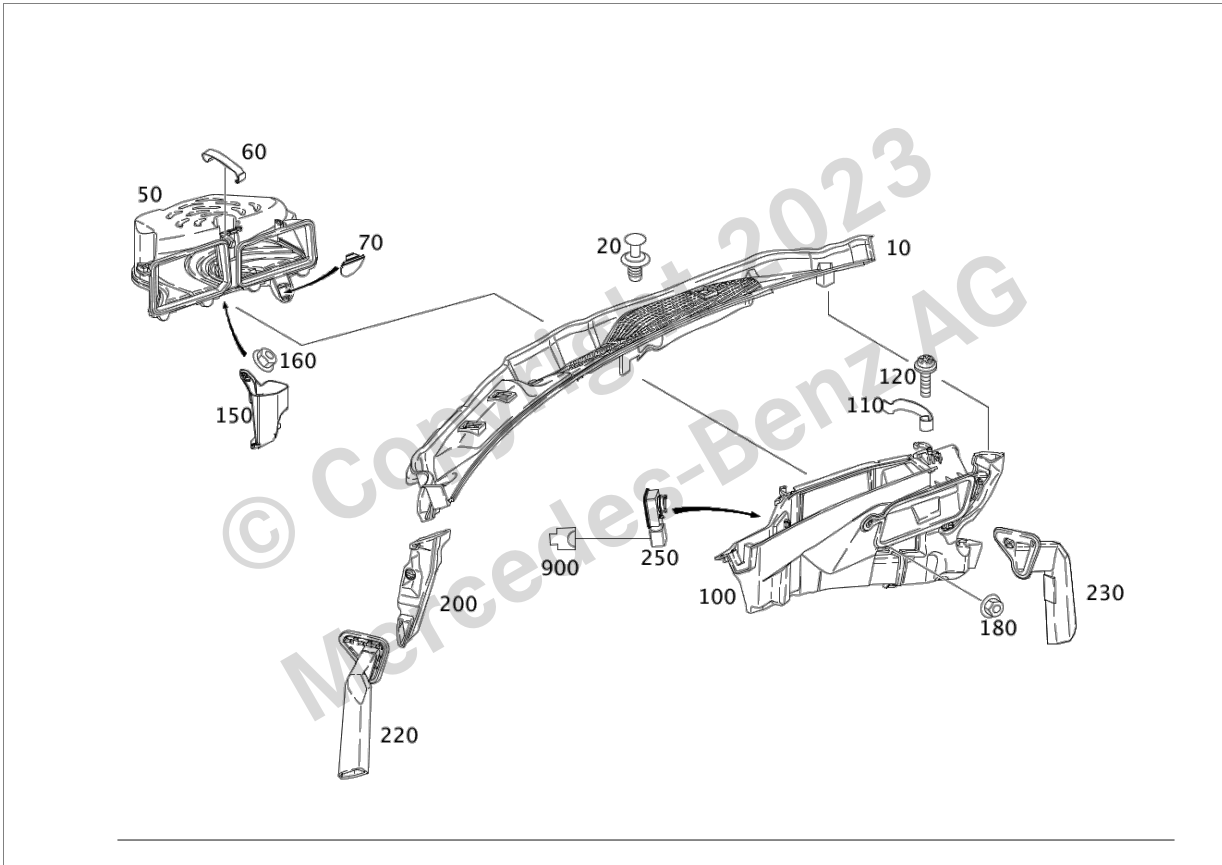





Image ID: drawing_B83110000156

Item	Part number	Designation/additional information	Qty
10	A 212 830 00 13 Ⓢ	COVER	1
20	A 123 990 05 92	EXPANSION RIVET MOUNTING, COVER	4
50	A 212 830 01 03 Ⓢ Ⓢ	HOUSING AIR INTAKE	1
60	A 001 991 75 70 Ⓢ	* CLAMP	1
70	A 212 832 00 84 Ⓢ	* VALVE	2
100	A 212 830 01 44 Ⓢ Ⓢ	HOUSING	1
110	A 001 991 74 70 Ⓢ	* CLAMP	2
120	A 001 984 62 29 Ⓢ	* HEXALOBULAR BOLT HOUSING FASTENING; 5X10	2

Parts Information

Item	Part number	Designation/additional information	Qty
150	A 212 832 08 25 	FITTING FRONT	1
160	N 000000 004011	NUT-AND-WASHER ASSEMBLY AT FITTING; M6	1
180	N 000000 004011	NUT-AND-WASHER ASSEMBLY AIR DUCT TO FRONT PANEL; M6	4
200	A 212 832 09 25 	FITTING LEFT	1
220	A 212 832 05 25	FITTING LEFT BOTTOM	1
230	A 212 832 06 25	FITTING RIGHT BOTTOM	1
250	A 204 542 02 18	NOX SENSOR GASEOUS POLLUTANT SENSOR  Code: 581;	1
900	A 220 540 06 81	RECEPTACLE HOUSING POLLUTANT SENSOR B31; 3-PIN MQS	1