

MODEL 212.0 /1

except CODE (489) AIRmatic (air suspension with continuous damper adjustment)

except CODE (488) Steel/air suspension

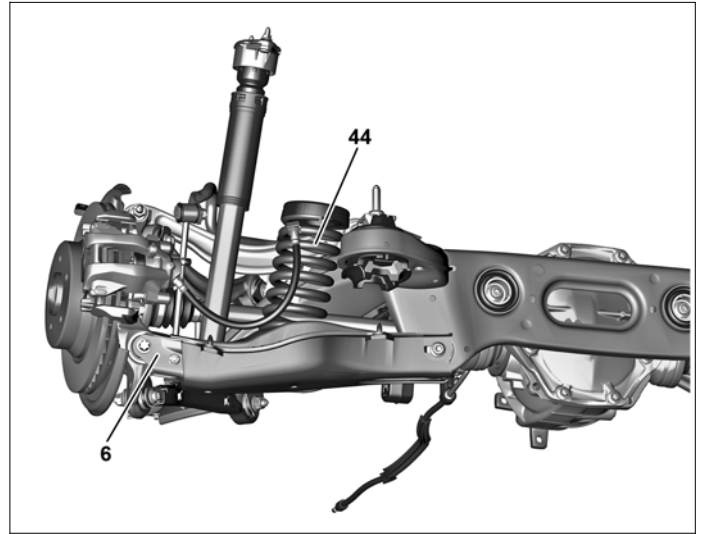
MODEL 218

except CODE (489) AIRmatic (air suspension with continuous damper adjustment)

except CODE (488) Steel/air suspension

6 Spring control arm

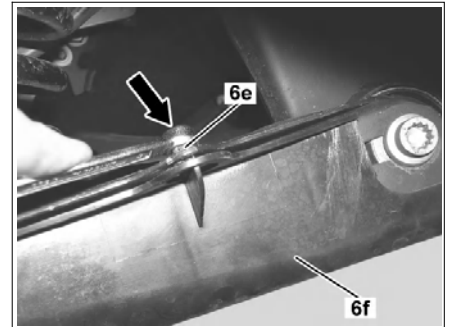
44 Rear spring



P32.20-2244-11

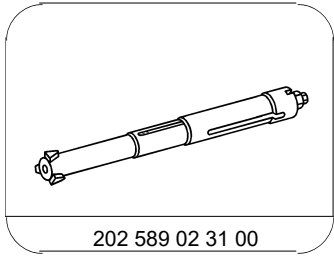
6e Lock

6f Cover



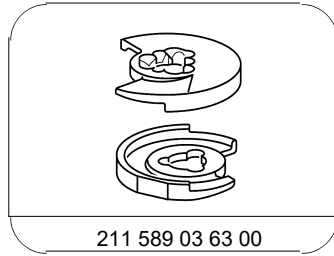
P35.20-2239-01

☒ ☒	Remove/install		
	<b>Risk of injury</b> caused by <b>pinching or crushing</b> when working on springs or spring bodies that are under tension	Use only approved tensioning devices; shield off hazard area if necessary. Inspect special tools for damage and proper operation (visual inspection). Wear protective gloves.	AS00.00-Z-0001-01A
	<b>Risk of death</b> caused by vehicle slipping or toppling off of the lifting platform.	Align vehicle between columns of vehicle lift and position four support plates at vehicle lift support points specified by vehicle manufacturer.	AS00.00-Z-0010-01A
ⓘ	Notes on self-locking nuts and bolts		AH00.00-N-0001-01A
		ⓘ While working on the rear axle care must be taken to ensure that the surfaces of aluminum components do not get any scratches, cracks and notches. Otherwise the service life of the of the parts will be reduced.	
1	Remove rear wheel		AP40.10-P-4050EW
2	Detach cover (6f) from spring control arm (6)	ⓘ Compress locks (6e) of cover (6f) using sleeve or box wrench (arrow).	
3	Tension rear spring (44)	☑ Tensioning device ☑ Clamping plates	AR32.20-P-0200-06EW *202589023100 *211589036300
4	Remove rear spring (44) from spring control arm (6)	ⓘ <b>Installation:</b> Clean supporting surface of rear spring (44) on spring control arm (6).	
5	Install in the reverse order		
6	Check headlamp adjustment and correct if necessary		AP82.10-P-8260EW



202 589 02 31 00

Tensioning device



211 589 03 63 00

Clamping plates