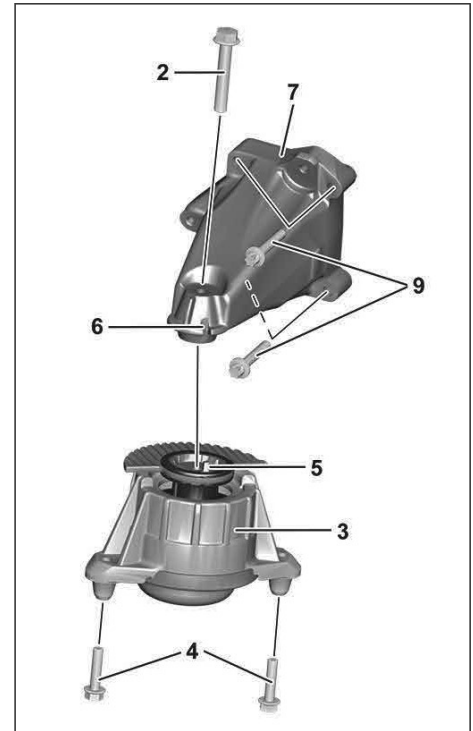


AR22.10-P-1260EWS	Remove/install front engine mount and/or engine support	17.10.2016
-------------------	---	------------

Engine 272, 273 in model 212

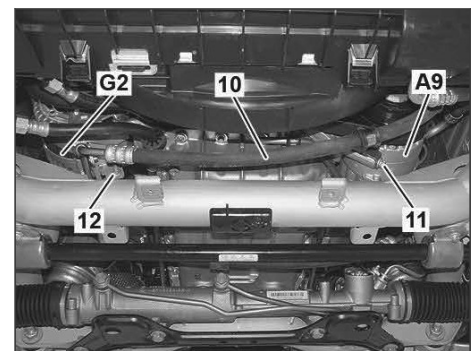
- 2 Screw/bolt
- 3 Engine mount
- 4 Screw/bolts
- 5 Anti-twist lock
- 6 Cutout
- 7 Engine support
- 9 Screw/bolts



P22.10-2462-03

Shown on engine 273

- 10 Hydraulic line
- 11 Screw/bolt
- 12 Nut
- A9 Refrigerant compressor
- G2 Alternator



P46.30-2275-01

	Danger !	Risk of death caused by vehicle slipping or toppling off of the lifting platform.	Align vehicle between vehicle lift columns and position the four support plates at the vehicle lift support points specified by the vehicle manufacturer.	AS00.00-Z-0010-01A
	Remove/install			
1	Remove air filter housing			AR09.10-P-1150EWS
2	Detach vacuum line of brake system from intake manifold	Engine 272.983 in model 212		AR43.10-P-0355EW
3	Detach crankcase ventilation hose from centrifuge	Engine 272.983 in model 212		AR01.20-P-2100EWS
4	Remove poly-V belt			AR13.20-P-0001EWS

5	Remove screw/bolts (2) on engine mount (3) from above	Bolt, front engine mount to engine support Engine mount wrench set	BA22.10-P-1001-03E 001 589 01 16 00
6	Mount engine hoist and raise engine		AR33.10-P-0105EW
7	Remove engine compartment paneling		AR61.20-P-1105EW
8	Removes screw/bolts (4) for engine mount (3)	Bolt, front engine mount to front axle carrier	BA22.10-P-1002-03E
9	Remove screw/bolt (11) and unscrew nut (12)	Nut, high-pressure line to alternator bracket Screw/bolt, refrigerant compressor to timing case/crankcase/engine support	BA46.30-P-1006-01T BA83.55-P-1001-01M
10	Remove hydraulic line (10) and bracket from A/C compressor (A9) and alternator (G2)		
11	Take out engine mount (3)	Always replace engine mount (3) in pairs. Remove left engine mount (3) over front axle carrier. Installation: The anti-twist locks (5) of the engine mounts (3) must fit in the notches (6) of the engine supports (7). Pay attention to environmental protection regulations for disposal of engine mounts (3). Dispose engine mounts (3) into mixed scrap.	
	Remove left engine support (7)		
12	Remove screw/bolts (9) and crankcase and remove left engine support (7)	Remove left engine support (7) from over front axle carrier. Bolt, engine support to crankcase	BA22.10-P-1001-02A
	Remove right engine support (7)		
13	Detach ground line from battery		AR54.10-P-0003EW
14	Remove screw/bolts (9) and crankcase and remove right engine support (7)	Bolt, engine support to crankcase	BA22.10-P-1001-02A
15	Install in the reverse order		

Engine support (engine side)

Number	Designation		Engine 272	Engine 273
BA22.10-P-1001-02A	Bolt, engine support to crankcase	Stage 1	Nm	20
		Stage 2	┘°	90

Engine mount, engine support (engine side)

Number	Designation			Model 212	
BA22.10-P-1001-03E	Bolt, front engine mount to engine support	M10	Nm	50	
		M12	Stage 1	Nm	85
			Stage 2	┘°	90

Engine mount, engine support (engine side)

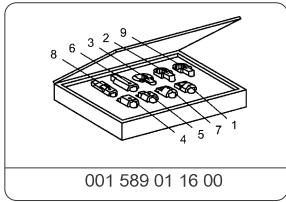
Number	Designation			Model 212
BA22.10-P-1002-03E	Bolt, front engine mount to front axle carrier	M8	Nm	28

Nm Power steering pump

Number	Designation		Model 212
BA46.30-P-1006-01T	Nut, high-pressure line to alternator bracket	Nm	8

Nm Refrigerant compressor

Number	Designation		Engine 272	Engine 273
BA83.55-P-1001-01M	Screw/bolt, refrigerant compressor to timing case/crankcase/engine support	Nm	20	20



Engine mount wrench set