

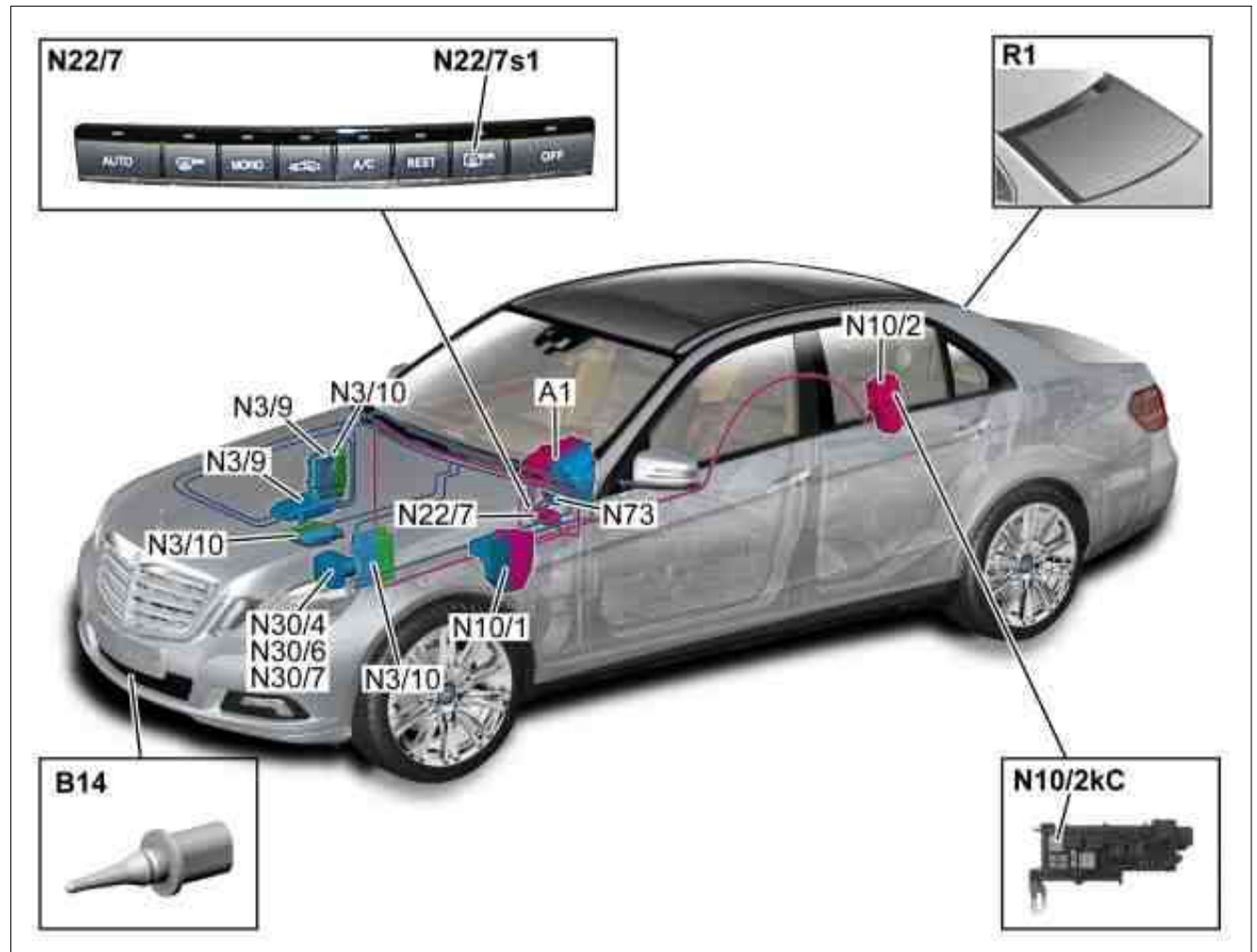
Document title Overview of automatic climate control system components

Document number gf8340p9995fl

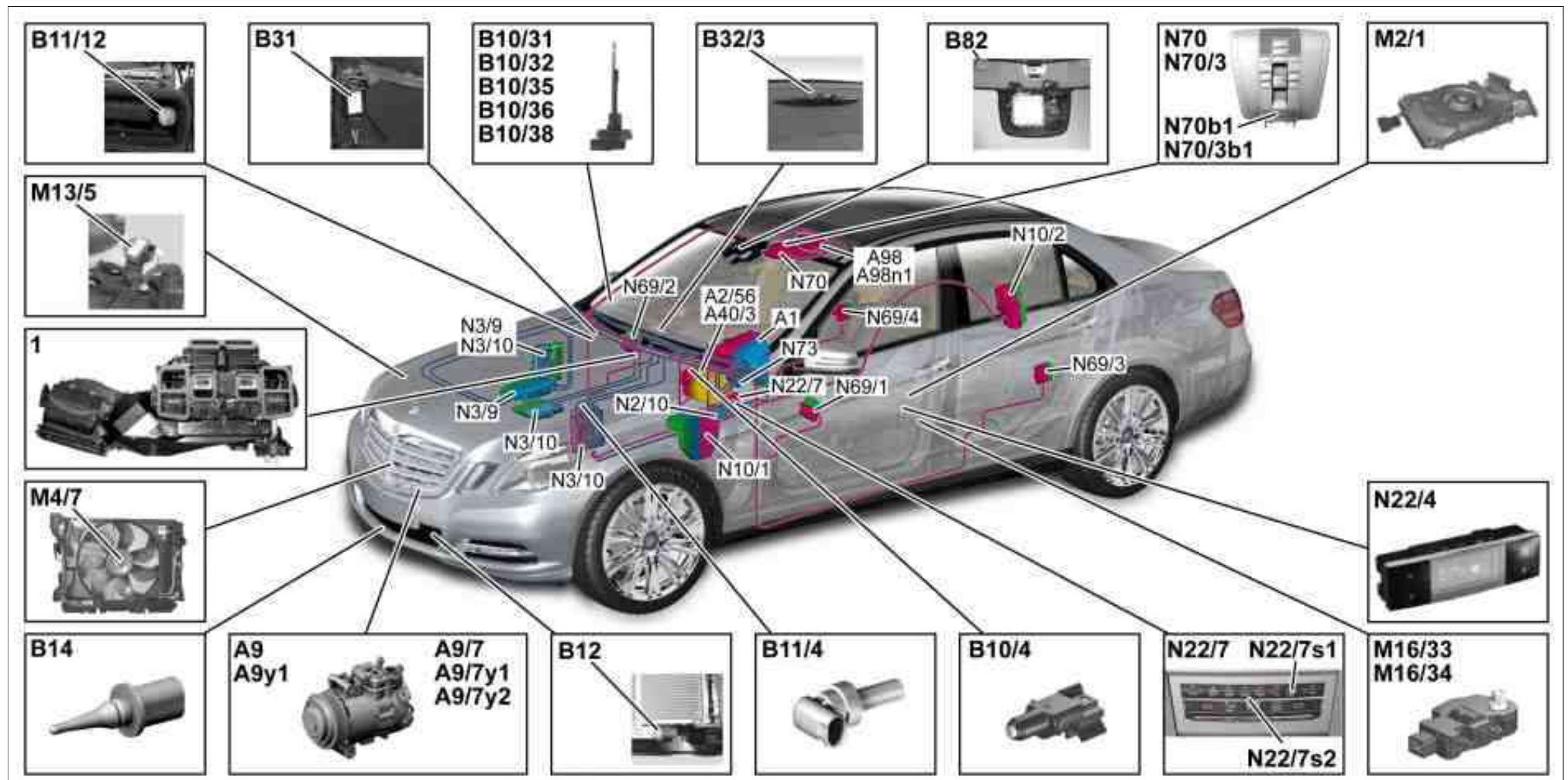
MODEL 212

Heated rear window (HHS), shown on model 212.0

- A1 Instrument cluster
- B14 Outside temperature sensor
- N3/9 CDI control unit (diesel engine, with engine 642 positioned on right, with engine 651 positioned at center)
- N3/10 ME-SFI [ME] control unit (gasoline engine, with engine 156 located on right, with engine 271, 274, 276 located on left, with engine 157, 272, 273, 278 located in center)
- N10/1 Front SAM control unit with fuse and relay module
- N10/2 Rear SAM control unit with fuse and relay module
- N10/2kC Heated rear window relay
- N22/7 Automatic air conditioning control and operating unit
- N22/7s1 Rear window heater button
- N30/4 Electronic Stability Program control unit (model 212 (except 212.074/075/076/077/092/095/098/274/275/276/277/292/298) except CODE 233 (DISTRONIC PLUS))
- N30/6 Regenerative braking system control unit (model 212.095/098/298)
- N30/7 Premium Electronic Stability Program control unit (model 212 (except 212.095/098/298) with CODE 233 (DISTRONIC PLUS), model 212.074/075/076/077/092/274/275/276/277/292)
- N73 Electronic ignition switch control unit
- R1 Rear window heater



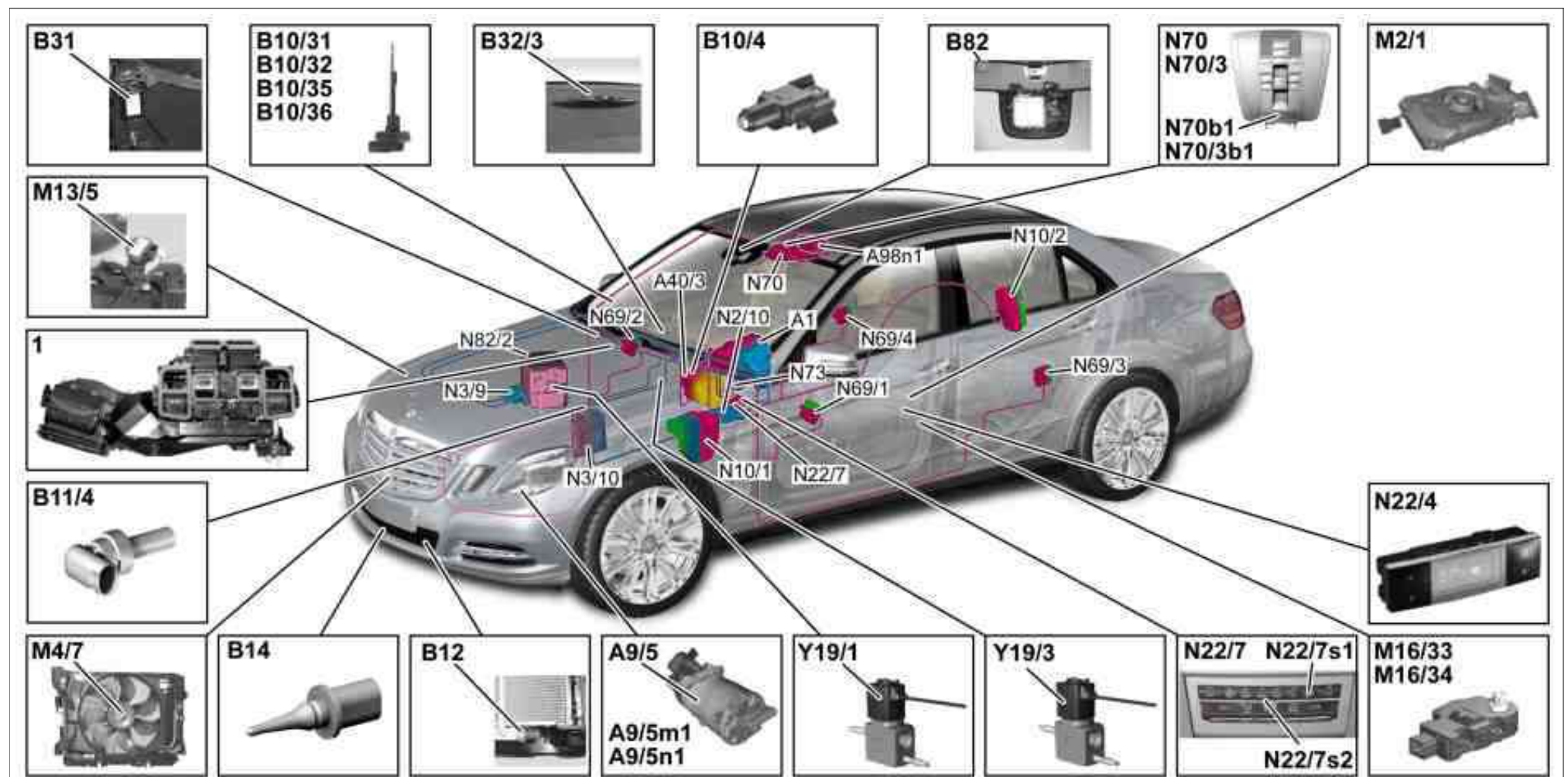
P67.29-2123-76



P83.40-4731-79

Automatic air conditioning, model 212 (except 212.095/098/298), shown on model 212.0

1	Air conditioning housing	M2/1	Rear blower motor (with CODE 581 (Comfort automatic air conditioning))
A1	Instrument cluster	M4/7	Combustion engine and air conditioning with integrated control fan motor
A2/56	Radio with auto pilot system (with CODE 511 (Audio 50 APS with DVD changer))	M13/5	Coolant circulation pump (with CODE 581 (Comfort automatic air conditioning) or CODE 965 (Electrical preinstallation for rental car) or CODE B03 (ECO start/stop function))
A9	A/C compressor (except CODE B09 (A/C compressor with magnetic clutch))	M16/33	Left B-pillar air distribution actuator motor (with CODE 581 (Comfort automatic air conditioning))
A9y1	A/C compressor regulating valve (except CODE B09 (A/C compressor with magnetic clutch))	M16/34	Right B-pillar air distribution actuator motor (with CODE 581 (Comfort automatic air conditioning))
A9/7	A/C compressor with magnetic clutch (with CODE B09 (A/C compressor with magnetic clutch))	N2/10	Supplemental restraint system control unit
A9/7y1	A/C compressor regulating valve (with CODE B09 (A/C compressor with magnetic clutch))	N3/9	CDI control unit (diesel engine, with engine 642 positioned on right, with engine 651 positioned at center)
A9/7y2	A/C compressor magnetic clutch (with CODE B09 (A/C compressor with magnetic clutch))	N3/10	ME-SFI [ME] control unit (gasoline engine, with engine 156 located on right, with engine 271, 274, 276 located on left, with engine 157, 272, 273, 278 located in center)
A40/3	COMAND controller unit (with CODE 512 (COMAND APS with DVD changer) or with CODE 527 (COMAND APS with single DVD drive (with navigation)) or with CODE 531 (COMAND APS))	N10/1	Front SAM control unit with fuse and relay module
A98	Panoramic sliding sunroof control module (with CODE 413 (Panoramic glass sunroof with top sliding sunroof))	N10/2	Rear SAM control unit with fuse and relay module
A98n1	Panoramic sliding sunroof control unit (with CODE 413 (Panoramic glass sunroof with top sliding sunroof))	N22/4	Rear automatic climate control operating unit (with code (581) Comfort automatic air conditioning)
B10/4	Interior temperature sensor	N22/7	Automatic air conditioning control and operating unit
B10/31	Left side air outlet temperature sensor	N22/7s1	Rear window heater button
B10/32	Right side air outlet temperature sensor	N22/7s2	Air recirculation mode button
B10/35	Left front footwell air outlet temperature sensor	N69/1	Left front door control unit
B10/36	Right front footwell air outlet temperature sensor	N69/2	Right front door control unit
B10/38	Rear footwell vent air outlet temperature sensor (with CODE 581 (Comfort automatic air conditioning) up to 28.02.2011)	N69/3	Left rear door control unit
B11/4	Coolant temperature sensor	N69/4	Right rear door control unit
B11/12	Dew point sensor (with CODE 581 (Comfort automatic air conditioning) up to 31.05.2010)	N70	Overhead control panel control unit (with CODE 414 (Power glass tilting/sliding roof))
B12	Refrigerant pressure sensor	N70b1	Interior temperature sensor with integrated fan (with CODE 414 (Power glass tilting/sliding roof))
B14	Outside temperature sensor	N70/3	Overhead control panel electronics (except CODE 414 (Power glass tilting/sliding roof))
B31	Pollutant sensor (with CODE 581 (Comfort automatic air conditioning))	N70/3b1	Interior temperature sensor with integrated fan (except CODE 414 (Power glass tilting/sliding roof))
B32/3	Sun sensor	N73	Electronic ignition switch control unit
B82	Humidity/temperature sensor Vehicle interior (as of 01.12.2009 or with CODE B03 (ECO start/stop function))		

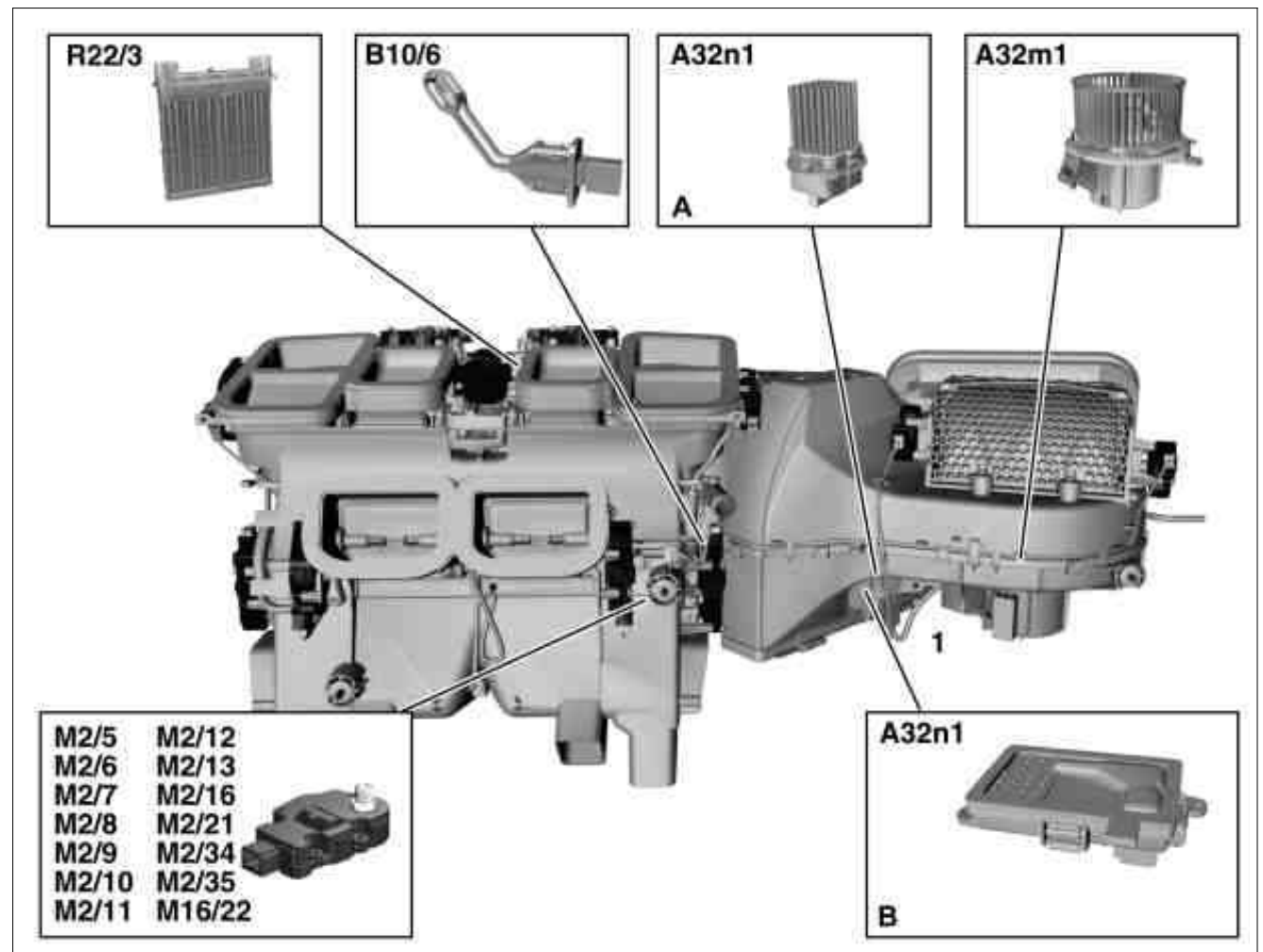


Automatic air conditioning, model 212.095/098/298, shown on model 212.098

1	Air conditioning housing	M16/34	Right B-pillar air distribution actuator motor (with CODE 581 (Comfort automatic air conditioning))
A1	Instrument cluster	N2/10	Supplemental restraint system control unit
A9/5	Electric refrigerant compressor	N3/9	CDI control unit (diesel engine, with engine 651 positioned at center)
A9/5m1	Refrigerant compressor electric motor	N3/10	ME-SFI [ME] control unit (gasoline engine, with engine 276 positioned at left)
A9/5n1	Refrigerant compressor control unit and power electronics	N10/1	Front SAM control unit with fuse and relay module
A40/3	COMAND controller unit (with CODE 512 (COMAND APS with DVD changer) or with CODE 527 (COMAND APS with single DVD drive (with navigation)) or with CODE 531 (COMAND APS))	N10/2	Rear SAM control unit with fuse and relay module
A98	Panoramic sliding sunroof control module (with CODE 413 (Panoramic glass sunroof with top sliding sunroof))	N22/4	Rear automatic climate control operating unit (with code (581) Comfort automatic air conditioning)
A98n1	Panoramic sliding sunroof control unit (with CODE 413 (Panoramic glass sunroof with top sliding sunroof))	N22/7	Automatic air conditioning control and operating unit
B10/4	Interior temperature sensor	N22/7s1	Rear window heater button
B10/31	Left side air outlet temperature sensor	N22/7s2	Air recirculation mode button
B10/32	Right side air outlet temperature sensor	N69/1	Left front door control unit
B10/35	Left front footwell air outlet temperature sensor	N69/2	Right front door control unit
B10/36	Right front footwell air outlet temperature sensor	N69/3	Left rear door control unit
B11/4	Coolant temperature sensor	N69/4	Right rear door control unit
B12	Refrigerant pressure sensor	N70	Overhead control panel control unit (with CODE 414 (Power glass tilting/sliding roof))
B14	Outside temperature sensor	N70b1	Interior temperature sensor with integrated fan (with CODE 414 (Power glass tilting/sliding roof))
B31	Pollutant sensor (with CODE 581 (Comfort automatic air conditioning))	N70/3	Overhead control panel electronics (except CODE 414 (Power glass tilting/sliding roof))
B32/3	Sun sensor	N70/3b1	Interior temperature sensor with integrated fan (except CODE 414 (Power glass tilting/sliding roof))
B82	Vehicle interior humidity/temperature sensor	N73	Electronic ignition switch control unit
M2/1	Rear blower motor (with CODE 581 (Comfort automatic air conditioning))	N82/2	Battery management system control unit
M4/7	Combustion engine and air conditioning with integrated control fan motor	Y19/1	High-volt battery cooling system shutoff valve
M13/5	Coolant circulation pump	Y19/3	Evaporator shutoff valve
M16/33	Left B-pillar air distribution actuator motor (with CODE 581 (Comfort automatic air conditioning))		

Automatic air conditioning

1	Air conditioning housing
A32m1	Blower motor
A32n1	Blower regulator
B10/6	Evaporator temperature sensor
M2/5	Fresh air/air recirculation flap actuator motor
M2/6	Left blending air flap actuator
M2/7	Right blending air flap actuator
M2/8	Left defroster flap actuator motor (with CODE 581 (Comfort automatic air conditioning))
M2/9	Right defroster flap actuator motor (with CODE 581 (Comfort automatic air conditioning))
M2/10	Left footwell flap actuator motor (with CODE 581 (Comfort automatic air conditioning))
M2/11	Right footwell flap actuator motor (with CODE 581 (Comfort automatic air conditioning))
M2/12	Left center air vent flap actuator motor (with CODE 581 (Comfort automatic air conditioning))
M2/13	Right center air vent flap actuator motor (with CODE 581 (Comfort automatic air conditioning))
M2/16	Defroster flap actuator motor (except CODE 581 (Comfort automatic air conditioning))
M2/21	Diffuser flap actuator motor (with CODE 581 (Comfort automatic air conditioning))



P83.40-3703-06

		MODEL 212.041 with ENGINE 271.958 with CODE 924 (Bivalent natural gas drive) N3/10 MODEL 212 with ENGINE 272.9 (except 272.983) N3/10 MODEL 212.0/2 with ENGINE 272.983 N3/10 MODEL 212.0/2 with ENGINE 273.9 N3/10 MODEL 212 with ENGINE 274.9 without CODE 924 (Bivalent natural gas drive) N3/10 MODEL 212 with ENGINE 274.9 with CODE 924 (Bivalent natural gas drive) N3/10 MODEL 212 with ENGINE 276.8 as of model year 2014 N3/10 MODEL 212 (except 212.095) with ENGINE 276.9 N3/10 MODEL 212.095 with ENGINE 276.9 N3/10	GF07.61-P-6000MFG GF07.61-P-6000MI GF07.61-P-6000MIE GF07.61-P-6000ML GF07.61-P-6000MRB GF07.61-P-6000MRC GF07.61-P-6000MMP GF07.61-P-6000MM GF07.61-P-6000MMO
	Component description for front SAM control unit with fuse and relay module	N10/1	GF54.21-P-6070FL
	Component description for rear SAM control unit with fuse and relay module	N10/2	GF54.21-P-6030FL
	Component description for automatic air conditioning control and operating unit	MODEL 212 without CODE 581 (Comfort automatic air conditioning) N22/7 MODEL 212 with CODE 581 (Comfort automatic air conditioning) N22/7	GF83.40-P-3000FLA GF83.40-P-3000FLB
	Component description for Electronic Stability Program control unit	MODEL 212 (except 212.095/098/298) up to model year 2014 N304, N307 MODEL 212 (except 212.095/098/298) as of model year 2014 N304, N307	GF42.45-P-5119FL GF42.45-P-5119FLM
	Component description for regenerative braking system control unit	MODEL 212.095/098/298 up to model year 2014 N30/6 MODEL 212.095/098/298 as of model year 2014 N30/6	GF42.22-P-1100FLH GF42.22-P-1100FLM
	Component description for left front door control unit	N69/1	GF72.29-P-6001FL
	Component description for right front door control unit	N69/2	GF72.29-P-6009FL
	Component description for rear door control unit	N69/3, N69/4	GF72.29-P-6021FL
	Component description for overhead control panel control unit	MODEL 212 with CODE 414 (Power glass tilting/sliding roof) N70, N70b1	GF82.20-P-5216FL
	Component description for electronic overhead control panel	MODEL 212 without CODE 414 (Power glass tilting/sliding roof) N70/3, N70/3b1	GF82.20-P-5217FL
	Component description for the electronic ignition lock control unit	N73	GF80.57-P-6001FL
	Component description for battery management system control unit	MODEL 212.095 with ENGINE 276.952 up to model year 2014 MODEL 212.098/298 with ENGINE 651.924 up to model year 2014 N82/2 MODEL 212.095 with ENGINE 276.952 as of model year 2014 MODEL 212.098/298 with ENGINE 651.924 as of model year 2014 N82/2	GF54.10-P-3012FLH GF54.10-P-3012FLM
	Table of contents for automatic climate control function description		GF83.40-P-0995FL