

WDDHF6FW1FB148483

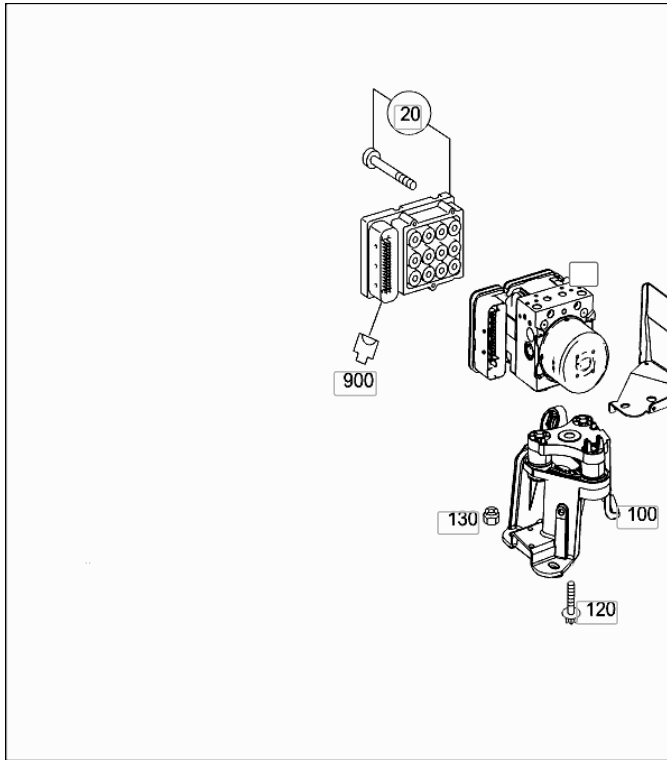
Vin Search

E 400 (212.065),

Engine: 276820 30 186978, Transmission: 722904 06 130785

- 80% +

Select Parts



	Number	Cnt	Name	Usage
10	A2184310412	1	HYDRAULIC UNIT	From Ident No: V From: 31.01.2016 From Ident No: B 325587 From: 29.01.2016 From Ident No: L From: 31.01.2016 "211: EPS STEERING (ELECTRIC STEERING)" For options "233: AUTONOMOUS INT. CRUISE CONT. PLUS (DISTRONIC PLUS)" For options "800: AEJ 09 Or 1" Or "051: AEJ 10 Or 2" For options "211: EPS STEERING (ELECTRIC STEERING)" For options "233: AUTONOMOUS INT. CRUISE CONT. PLUS (DISTRONIC PLUS)" For options "801: YOM 10 Or 1" Or "062: YOM 10 Or 1 GROUP 2" For options "211: EPS STEERING (ELECTRIC STEERING)" For options "233: AUTONOMOUS INT. CRUISE CONT. PLUS (DISTRONIC PLUS)" For options "801: YOM 10 Or 1" Or "211: EPS STEERING (ELECTRIC STEERING)" For options "233: AUTONOMOUS INT. CRUISE CONT. PLUS (DISTRONIC PLUS)" For options "801: YOM 10 Or 1" Or "211: EPS STEERING (ELECTRIC STEERING)"
20	A2129006725	1	RS CONTROL UNIT ELECTRONIC STABILITY PROGRAM	Not for options "233: AUTONOMOUS INT. CRUISE CONT. PLUS (DISTRONIC PLUS)" For options "805: YOM 14 Or 1" Or Not for options "233: AUTONOMOUS INT. CRUISE CONT. PLUS (DISTRONIC PLUS)" For options "806: YOM 15 Or 1" Or Not for options "233: AUTONOMOUS INT. CRUISE CONT. PLUS (DISTRONIC PLUS)" For options "807: AEJ 06 Or 1 Or M Or X"
100	A2124301710	1	BRACKET	Not for options "233: AUTONOMOUS INT. CRUISE CONT. PL (DISTRONIC PLUS)" For options "211: EPS STEERING (ELECTRIC

				STEERING)" For options "804: YOM 13 Or 1" Or Not for options "233: AUTONOMOUS INT. CRUISE CONT. PLUS (DISTRONIC PLUS)" For options "211: EPS STEERING (ELECTRIC STEERING)" For options "805: YOM 14 Or 1" Or Not for options "233: AUTONOMOUS INT. CRUISE CONT. PLUS (DISTRONIC PLUS)" For options "211: EPS STEERING (ELECTRIC STEERING)" For options "806: YOM 15 Or 1" Or Not for options "233: AUTONOMOUS INT. CRUISE CONT. PLUS (DISTRONIC PLUS)" For options "211: EPS STEERING (ELECTRIC STEERING)" For options "807: AEJ 06 Or 1 Or M Or X"
120	N000000006307	1	HEXALOBULAR BOLT HYDRAULIC UNIT TO BRACKET	
130	N000000003175	3	NUT BRACKET TO BODY	
900	A2125400281	1	CLUTCH ELECTRONIC STABILITY PROGRAM CONTROL UNIT	Not for options "233: AUTONOMOUS INT. CRUISE CONT. PLUS (DISTRONIC PLUS)"