

**Document title** Remove/install front cover on right cylinder head

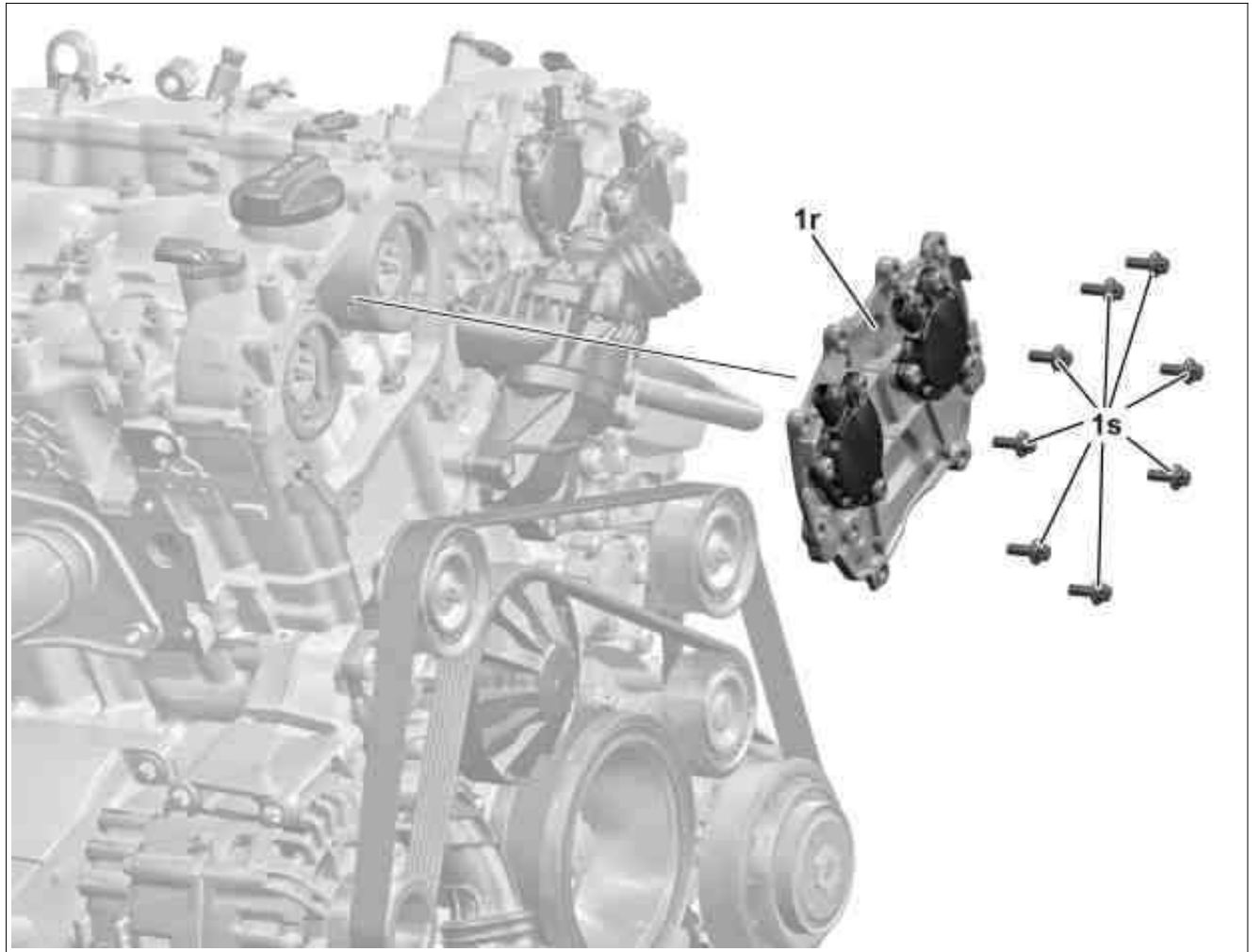
**Document number** ar0130p5712els

Engine 276.8 in model 207, 212, 218

Modification notes

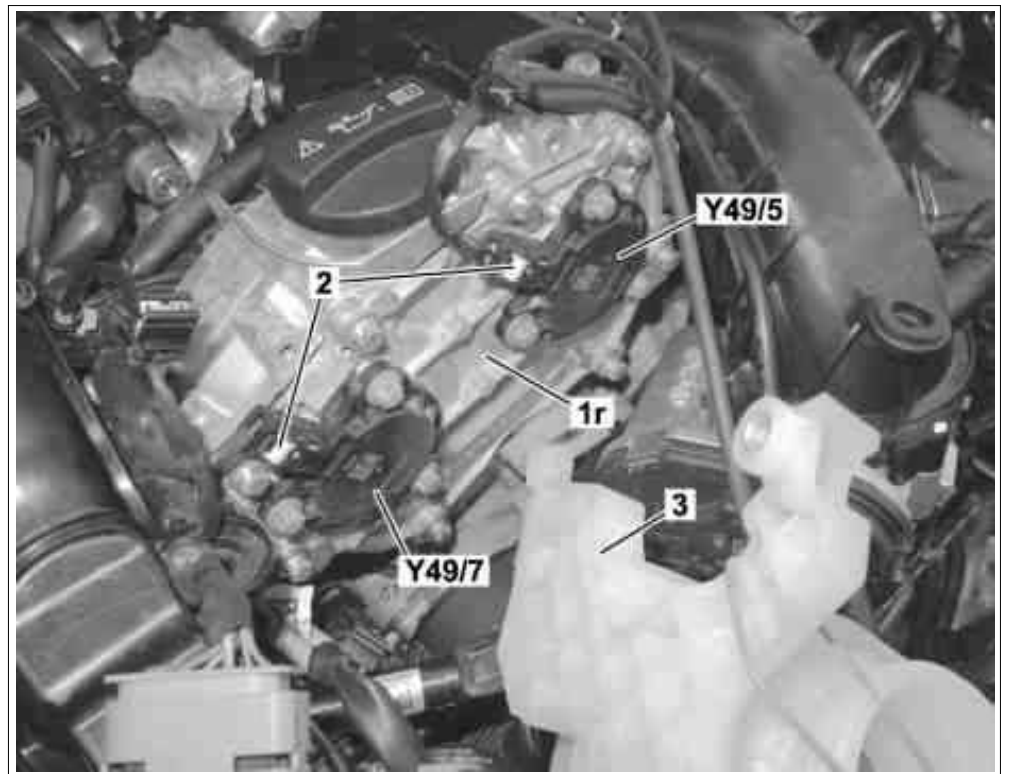
21.10.2015	Screw/bolt, camshaft solenoid to front cover on the cylinder head	Engine 276	BA05.20-P-1008-02A
------------	---	------------	--------------------

- 1r Cover at front
- 1s Screw



P01.20-2265-06

- 1r Cover at front
- 2 Electrical connectors
- 3 Carrier
- Y49/5 Right intake camshaft solenoid
- Y49/7 Right exhaust camshaft solenoid



P01.30-2423-11

⚠ Warning	<b>Risk of injury</b> caused by fingers being jammed or pinched when removing, installing or aligning hoods, doors, trunk lid/rear-end door or sliding roof.	No parts of the body or limbs should be within the operating area when the components are moving.	AS00.00-Z-0011-01A
	Notes on threaded connections with aluminum screws/bolts		AH00.00-P-0006-01RM
⊠ ⊠	<b>Remove/install</b>		
1	Detach low-temperature circuit expansion reservoir with carrier (3) and place to one side with connected coolant lines		AR09.41-P-0002ELS

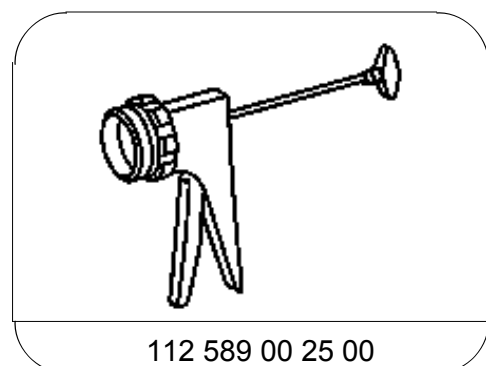
2	Disconnect electrical connections (2) at right intake camshaft solenoid (Y49/5) and right exhaust camshaft solenoid (Y49/7)		
3	Remove screw/bolts (1s)	<b>i</b> <b>Installation:</b> Replace screw/bolts (1s). <b>Nm</b> Bolt, front cover to cylinder head/cylinder head cover	*BA01.30-P-1003-01W
4	Carefully loosen front cover (1r) on prying lug and pull off to the front Notes on sealant path for front cover to cylinder head xxx	<b>i</b> <b>Installation:</b> Observe notes on sealant path. <b>i</b> <b>Installation:</b> Apply sealant to front cover (1r). Sealant, Loctite 5970, 50 ml <b>S</b> Application gun	AH01.30-P-1000-02MM  *BR00.45-Z-1013-01A *112589002500
<b>Clean</b>			
5	Clean sealing surfaces on cylinder head, on cylinder head cover and on front cover (1r)	<b>!</b> Do not use any sharp-edged tools or abrasive paper. The sealing surfaces can get damaged otherwise. Loctite 7200 Loctite 7063 (400 ml) cleaning spray	AR01.00-P-0050-01A  *BR00.45-Z-1038-04A *BR00.45-Z-1046-04A
6	Detach right intake camshaft solenoid (Y49/5) and right exhaust camshaft solenoid (Y49/7) from front cover (1r)	When replacing the front cover (1r)  <b>Nm</b> Bolt, camshaft solenoid to front cover on the cylinder head	*BA05.20-P-1008-02A
7	Install in the reverse order		
<b>Check</b>			
8	Check engine oil level; correct if necessary		AP18.00-P-0101CWZ
<b>Warning</b>	<b>Risk of accident</b> from vehicle starting off by itself when engine running. <b>Risk of injury</b> (bruises and burns) resulting from working on the engine while it is being started or when it is running.	Secure vehicle to prevent it from starting off by itself. Wear closed and snug-fitting work clothes. Do not touch hot or rotating parts.	AS00.00-Z-0005-01A
9	Carry out engine test run while checking engine for proper operation and oil leaks		

**Nm** Cylinder head

Number	Designation		Engine 276
BA01.30-P-1003-01W	Bolt, front cover to cylinder head/cylinder head cover	Nm	5

**Nm** Camshaft, camshaft adjustment

Number	Designation		Engine 276
BA05.20-P-1008-02A	Bolt, camshaft solenoid to front cover on Stage 1 the cylinder head	Nm	4
		Stage 2	4° 60



112 589 00 25 00

Application gun

**Repair materials**

Number	Designation	Order number
BR00.45-Z-1013-01A	Sealant, Loctite 5970, 50 ml	A 003 989 98 20 10
BR00.45-Z-1038-04A	Loctite 7200	Henkel AG & Co. KGaA <a href="http://www.loctite.de">http://www.loctite.de</a>
BR00.45-Z-1046-04A	Loctite 7063 (400 ml) cleaning spray	A 001 986 71 71 09