

Document number: pe82.60-p-2101-97daa

Document title: Wiring diagram for radio (RD) control unit

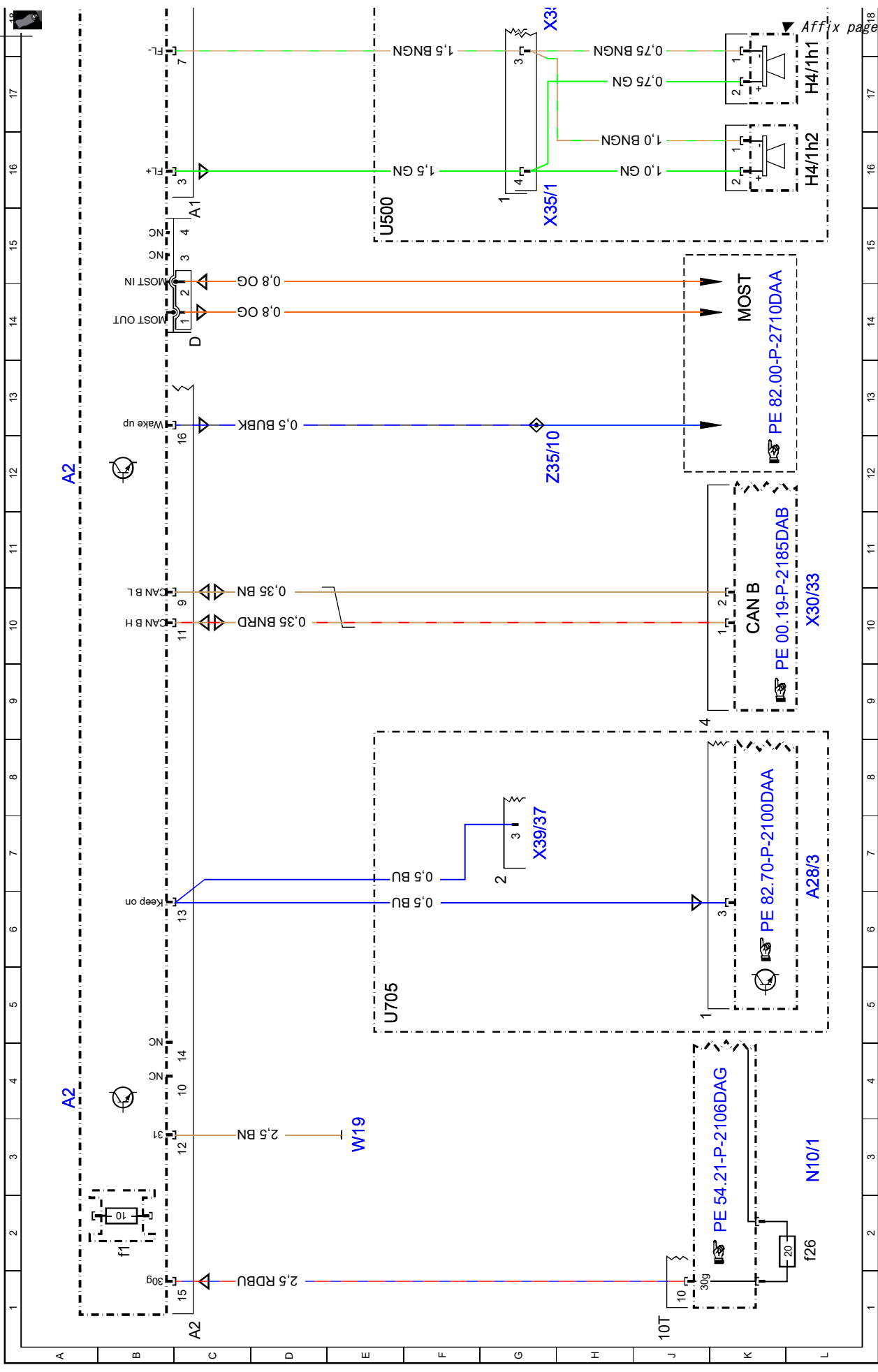
Code: **Designation:** **Position:**

| | | |
|----------|---|-----|
| A0 | Color code key | 56L |
| A2 | Radio | 4A |
| A2 | Radio | 12A |
| A2 | Radio | 20A |
| A2 | Radio | 29A |
| A2 | Radio | 36A |
| A2 | Radio | 44A |
| A2 | Radio | 51A |
| A2 | Radio | 49L |
| A2/18 | FM 1, AM, CL [ZV] and KEYLESS GO antenna amplifier | 47L |
| A2/19 | FM 2 and DAB antenna amplifier | 45L |
| A2/19 | FM 2 and DAB antenna amplifier | 51L |
| A2/91 | Bluetooth antenna | 7L |
| A28/3 | Cellular telephone system antenna amplifier/compensator | 2B |
| A2f1 | Radio fuse | 41L |
| A40/8 | Audio/COMMAND display | 28L |
| A67 | Inside rearview mirror | 28L |
| A67b1 | Hands-free system microphone | 27H |
| A67b1x1 | Hands-free system and voice control microphone electrical connector | 35K |
| CAN A | Telematics CAN | 10K |
| CAN B | Interior CAN | 17L |
| H4/1h1 | Left front door tweeter | 16L |
| H4/1h2 | Left front door woofer | 20L |
| H4/2h1 | Right front door tweeter | 19L |
| H4/2h2 | Right front door woofer | 23L |
| H4/3h1 | Left rear door tweeter | 21L |
| H4/3h2 | Left rear door woofer | 25L |
| H4/4h1 | Right rear door tweeter | 24L |
| H4/4h2 | Right rear door woofer | 14K |
| MOST | Media Oriented System Transport | 3L |
| N10/1 | Front SAM control unit with fuse and relay module | 2L |
| N10/1f26 | Fuse 26 | 15E |
| U500 | Not valid for sound system | 45E |
| U57 | Valid for model 212.2 | 47E |
| U58 | Valid for model 212.0/1 | 5E |
| U705 | Valid for mobile phone | 3E |
| W19 | Right front seat crossmember ground point | 31H |
| X18/35 | Instrument panel and vehicle floor electrical connector | 10L |
| X30/33 | Right vehicle floor interior CAN voltage distributor electrical connector | 35L |
| X30/35 | Telematics CAN voltage distributor electrical connector | |

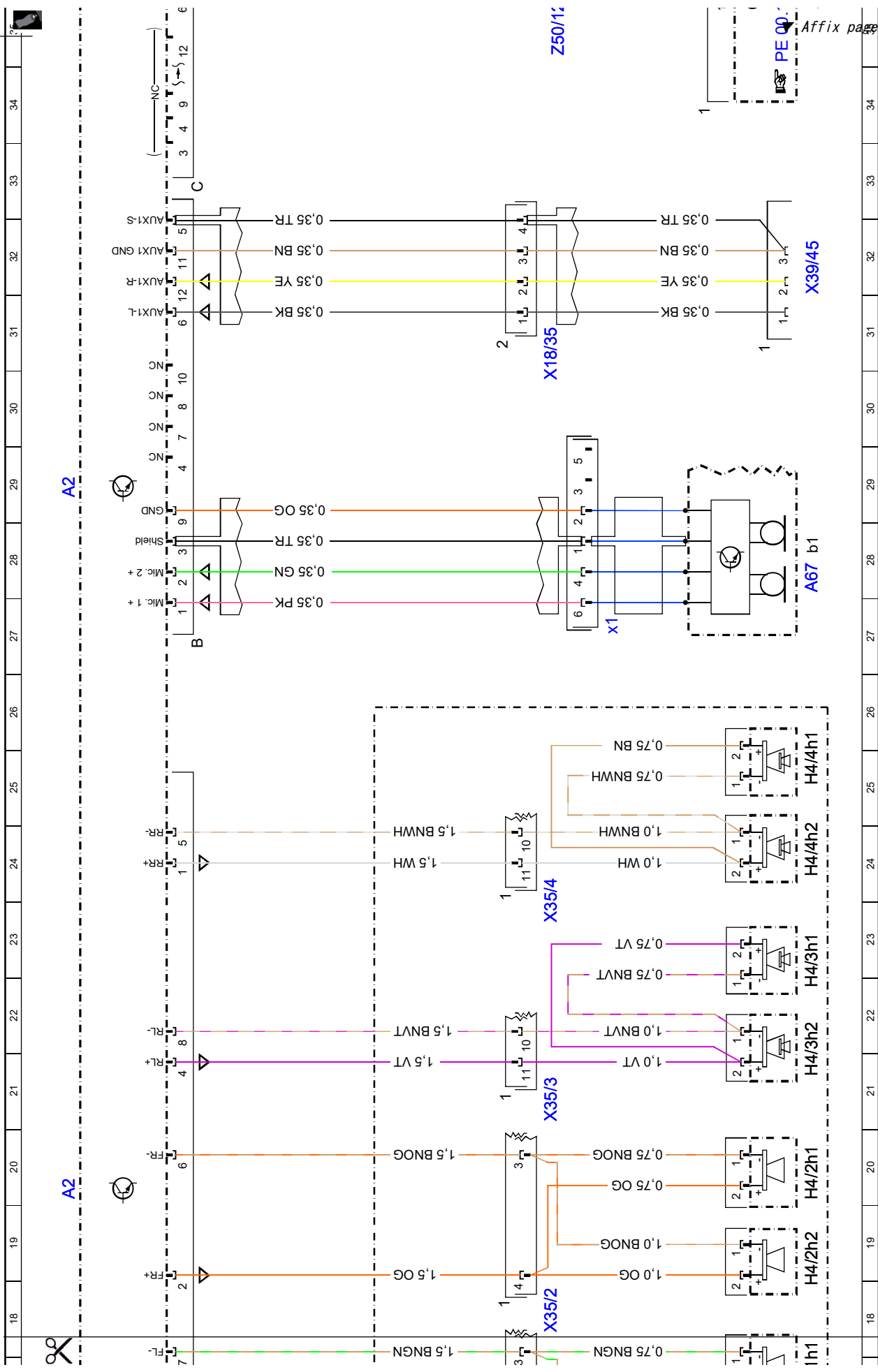
Document number: pe82.60-p-2101-97daa

Document title: Wiring diagram for radio (RD) control unit

| Code: | Designation: | Position: |
|--------------|--|------------------|
| X35/1 | Left front door electrical connector | 16H |
| X35/2 | Right front door electrical connector | 18H |
| X35/3 | Left rear door electrical connector | 21H |
| X35/4 | Right rear door electrical connector | 24H |
| X39/37 | Mobile phone electrical connector | 7G |
| X39/45 | AUX jack electrical connector | 32L |
| X8/46 | Right vehicle interior and tailgate electrical connector | 45H |
| Z20/62z1 | Screening end connector sleeve | 44K |
| Z20/62z2 | Screening end connector sleeve | 44C |
| Z35/10 | MOST wake-up signal connector sleeve | 12H |
| Z50/11 | CAN bus low cockpit connector sleeve | 36H |
| Z50/12 | CAN bus high cockpit connector sleeve | 35H |

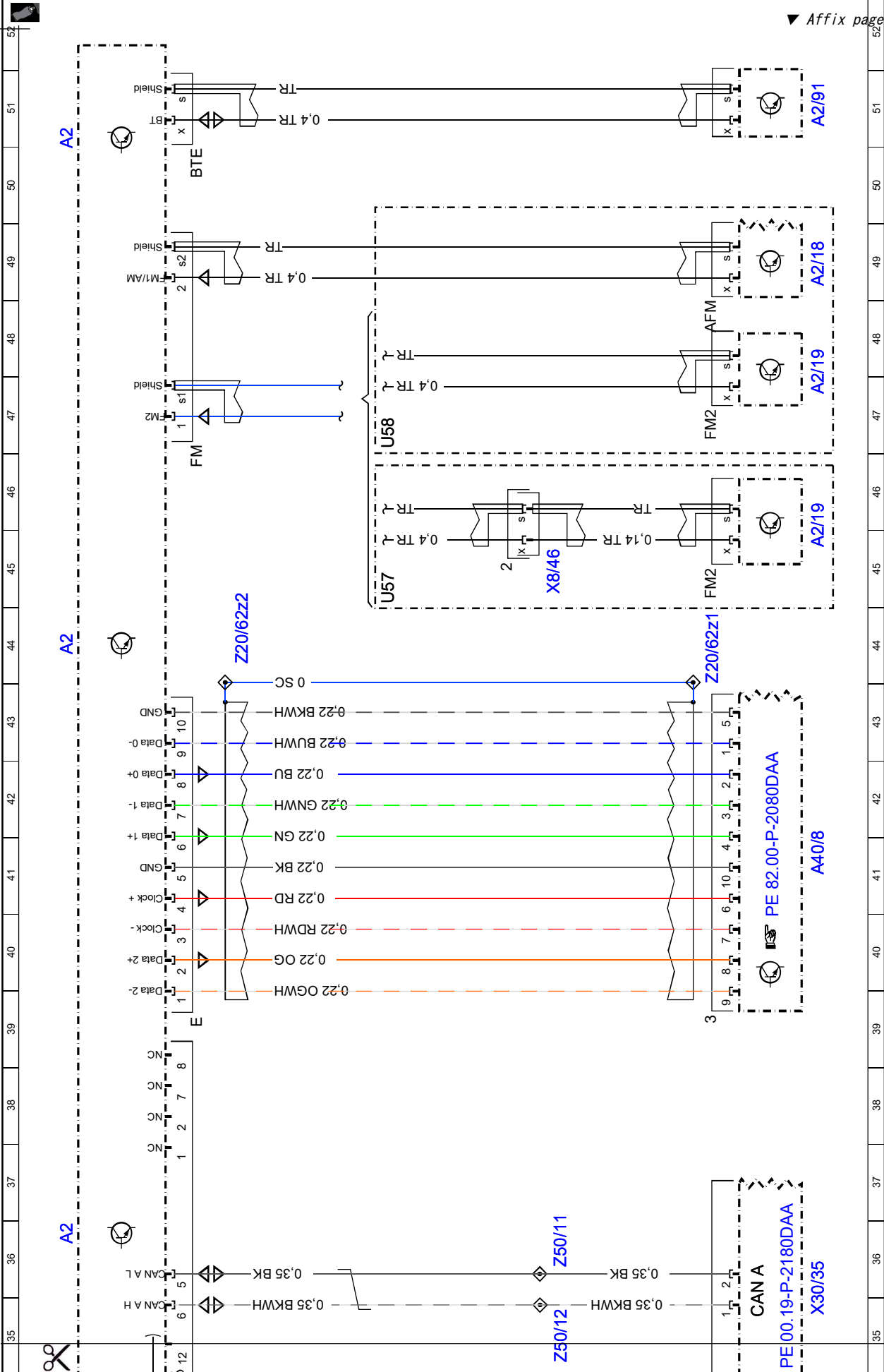


Affix page 2 here ▼



Affix page 3 here ▼

Cut here



▼ Affix page 4 here ▼

Out here

