

# Dealer Ordering Guide

**PRELIMINARY.  
DOCUMENT SUBJECT TO  
CHANGE.**



## **Mercedes-Benz MY 17 E-Class Sedan (W213)**

## **An important note about this Guide:**

The information presented in this guide is based on the most current information available and is intended for internal use only. Mercedes-Benz reserves the right to make changes at any time, without notice, to colors, materials, equipment, special specifications and models. Pricing may not yet be finalized for some models or options.

Due to variances among monitors and printers the colors that appear on your screen and printouts may not be exact.

For illustrative purposes, some images may show vehicles with European Specification.

## Revision History

Date	Changes
03/10/16	Initial release
03/11/16	Removed SiriusXM® Radio w/6 Month Service from stand-alone option
	Modified Premium P01 Package
04/13/16	464 – 12.3” Widescreen Instrument Cluster now available as Stand-Alone Option (no longer SPC option)
	PAF – Acoustic – Comfort Package available as Stand-Alone Option (no longer SPC option)
	322 – Sport Wheel Package now available
	235 – PARKTRONIC w/Active Parking Assist renamed to Parking Pilot
	501 – 360° Surround View Camera renamed to Surround View System
	P20 – Speed Limit Assist renamed to Speed Limit Pilot (NEW: automatic adoption of detected speed limits)
04/15/16	Updated <i>designo</i> Packages (P62 & P87)
04/19/16	Delayed availability: <i>designo</i> Packages (P62 & P87), Luxury Package (167)
04/20/16	P62 & P87 – <i>designo</i> Packages now available
	Updated Specifications (Trunk size)
	Modified Stand-Alone Options
04/22/16	Modified Competitive Advantages
04/29/16	Modified MB Accessories Program (00A- Illuminated Star)
05/04/16	Delayed availability: Head-Up Display New Q03 Pkg (Premium 3 w/o Head-Up Display)

## Table of Contents *(please click on the link to get to the page)*

- [What's new in MY17](#)
- [Models](#)
- [Standard Equipment](#)
- [Paints](#)
- [Upholsteries](#)
- [Trims](#)
- [Wheels](#)
- [Visual Equipment Differentiation](#)
  - [Headlights](#)
  - [Steering Wheels](#)
- [Option Packages](#)
- [Stand-Alone Options/Special Orders/Accessories](#)
- [Specifications](#)
- [Product Highlights](#)
- [Advantages over competition](#)
- [Gallery](#)

## What's new: MY17 Overview

### Exterior

- All-new exterior design

### Interior

- All-new interior design

### Standard Equipment

- 9G-TRONIC Automatic Transmission
- 12.3" high-resolution COMAND Display
- Active Brake Assist\*
- Ambient Lighting (64 colors)
- ATTENTION ASSIST®
- Auto Dimming Driver/ Rearview Mirrors
- Car-to-X Communication
- COMAND Navigation
- Crosswind Assist
- DYNAMIC SELECT
- KEYLESS-START
- Power Adjustable Front Seats w/Lumbar Adjust. and 3-position Memory
- Power Folding Mirrors
- Power Tilt / Sliding Sunroof
- PRE-SAFE®
- PRE-SAFE® Sound
- SiriusXM® Satellite Radio w/ 6-month Free Trial
- Split Folding Rear Seats (40/20/40)
- Touch Control Buttons on newly designed steering wheel
- Touchpad w/ COMAND Controller

## What's new: MY17 Overview

### Optional Equipment

- New Premium Package Structure
- New Enhanced Safety Systems within Driver Assistance Package Plus
- DRIVE PILOT including the following features:
  - Distance Pilot DISTRONIC
  - Steering Pilot
    - Active Emergency Stop Assist
    - Active Lane Change Assist
  - Speed Limit Pilot
- PRE-SAFE® Impulse Side
- Active Brake Assist w/Cross Traffic Function
- AIR BODY CONTROL Air Suspension
- Head-Up Display
- Rear Safety Package
- Warmth and Comfort Package

### Paints

- Addition of Piedmont Green Metallic
- Addition of *designo* Selenite Grey Magno

### Upholsteries

- New color options
- New *designo* upholstery packages

### Trims

- Addition of Brown Ash Wood
- Addition of *designo* Black Piano Lacquer Flowing Lines Wood
- Addition of *designo* Magnolia Flowing Lines Wood

### Wheels

- New 17", 18" and 19" wheel designs



# What's new: Premium Package Structure w/ new optional equipment

## MY16

### Premium 1 Package

- Rearview camera
- Ventilated Front Seats
- SiriusXM® Satellite Radio w/ 6 Month Free Trial
- Harman/Kardon® Sound System
- Heated Front Seats
- Powered Rear Window Sunshade
- Navigation Map Updates For 3 Years
- 7" COMAND w/ Navigation
- Power Folding Mirrors
- Split-Folding Rear Seats
- **MSRP \$4,180**

**Std on MY17**

## MY17

### Premium 1 Package

- Rearview camera
- Burmester® Premium Sound System
- Heated Front Seats
- Parking Pilot
- NFC Wireless Charging
- KEYLESS-GO® Comfort Pkg
- Blind Spot Assist

**MSRP \$tbd**

**New**

### Premium 2 Package

- Lighting Package
- Active Multicontour Seat Pkg
- Air Balance
- Power Rear Window Sunshade

**MSRP \$tbd**

### Premium 3 Package

- Surround View System
- Driver Assistance Pkg Plus
- Head-Up Display

**MSRP \$tbd**



## What's new: Sport Wheel Package

\$tbd

*Optional on Sport only*



The Sport Wheel Package includes:

- Perforated front brake discs & front brake calipers w/ "MB" lettering (U29)
- Black headliner (51U)
- Wheel choice of:
  - 18" AMG 5-spoke light-alloy wheels (RQR)
  - 19" AMG 5-twin-spoke light-alloy wheels (RTK)\* (+\$500)



RQR



RTK\*

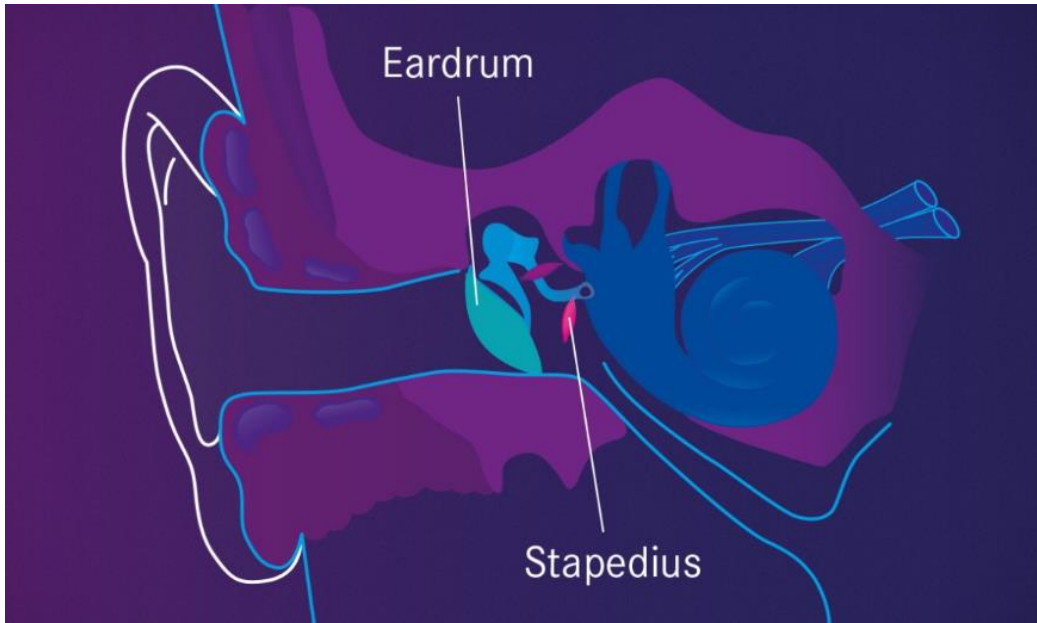
\*as seen on image





## What's new: PRE-SAFE® Sound

*Standard on all E-Class*



Part of PRE-SAFE, PRE-SAFE Sound is an acoustic occupant preconditioning system which can reduce the effects of the noise from an accident on the occupants hearing.

- When the PRE-SAFE system recognizes a certain dangerous situation, the onboard sound system plays a brief rushing sound, also known as 'Pink Noise', to precondition the hearing
- The natural reflex mechanism of the stapedius muscle enables the inner ear to rapidly prepare for the accident-induced high pressure sound
- Up to 40% reduction of noise exposure impact

## What's new: 531 - COMAND Navigation (NTG 5.5)

Standard on all E-Class



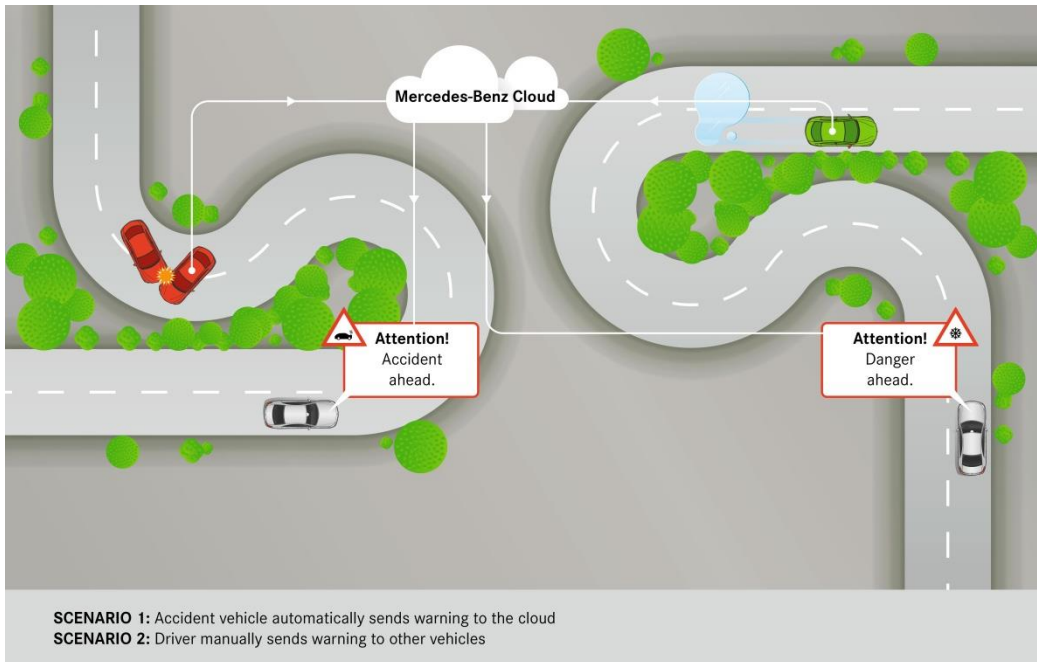
The COMAND system at a glance:

- High-resolution 12.3-inch display
- Fast HDD navigation with 3D maps
- WiFi hotspot provides 4G-LTE internet connection
- Smartphone Integration with Apple CarPlay® & Android Auto®
- *Bluetooth* hands-free and audio streaming
- Voice-operated control system
- Car-to-X Communication
- NFC pairing to headunit (NFC wireless charging is part of Premium P01 Package)



# What's new: Car-to-X Communication

Standard on all E-Class



- Exchange of information with other vehicles in the surrounding area (now only from new E-Class to new E-Class) for:
  - Break-downs
  - Accidents
  - Hazardous weather (ice, fog, rain, snow, etc.)
- Driver can also send a warning manually
- Warning according to situation:
  - Icon on navigation display
  - Instrument cluster
  - Voice output

## What's new: Touch Control Buttons

*Standard on all E-Class*



The new E-Class introduces the all new concept of Touch Control Buttons on the 3-spoke steering wheel to operate the instrument cluster and the headunit by horizontal and vertical swiping movements of the finger. The main focus is to keep the customer's hands on the steering wheel and eyes on the road.

- The instrument cluster display is operated by the left Touch Control Button
- The headunit (incl. navigation) is operated by the right Touch Control Button



## What's new: 448 – Touchpad

*Standard on all E-Class*



The functions of COMAND navigation can be controlled intuitively via the innovative touchpad, using single or multi-finger gestures (multi-touch).

- Touchpad approx. 2.56 x 1.77 inches in size
- Additional full-fledged input option supplementing the COMAND Controller, Touch Control Buttons on the steering wheel and voice control
- Recognizes single and multi-finger gestures (multi-touch), swiping movements and zoom gestures achieved by spreading the fingers or pinching them together
- Innovative handwriting recognition feature: Users are able to input letters, special characters and numbers in their normal handwriting, in any language available in the headunit
- 3 buttons located on the touchpad allow fast and direct operation of important functions
- Clear haptic feedback when using the touchpad or keys



## What's new: 897 - NFC Wireless Charging

*Optional on all E-Class, included in Premium Package P01*



- Pairing to the headunit via NFC
- Wireless charging of smartphones that support the Qi standard
  - For charging, place the smartphone in the front storage compartment in the center console
  - Storage compartment designed for mobile phones with a screen diagonal of up to 6 inches



## What's new: 463 – Head-Up Display *Delayed Availability*

*Optional on all E-Class, included in Premium Package P03*



The Head-Up Display at a glance:

- Key driver information at a glance (e.g. navigation tips, incoming calls, speed, settings for cruise control, assistance system messages) without the driver having to take their eyes off the road
- Projection of a virtual image measuring approx. 8.3 x 2.8 inches into the driver's field of vision, which appears to float around 78.7 inches in front
- Presentation of information in high-resolution and in color, making it clearly legible even on sunny days and at night
- Height position of the image, brightness and displayed content can be changed individually via a menu in the instrument cluster



## What's new: B59 - DYNAMIC SELECT

*Standard on all E-Class*



At a touch of the DYNAMIC SELECT selector, drivers can choose between comfortable, sporty, particularly sporty, and efficient driving styles, or even their own individually defined style. Parameters such as the engine, transmission and steering characteristics are adjusted according to the selected drive mode.

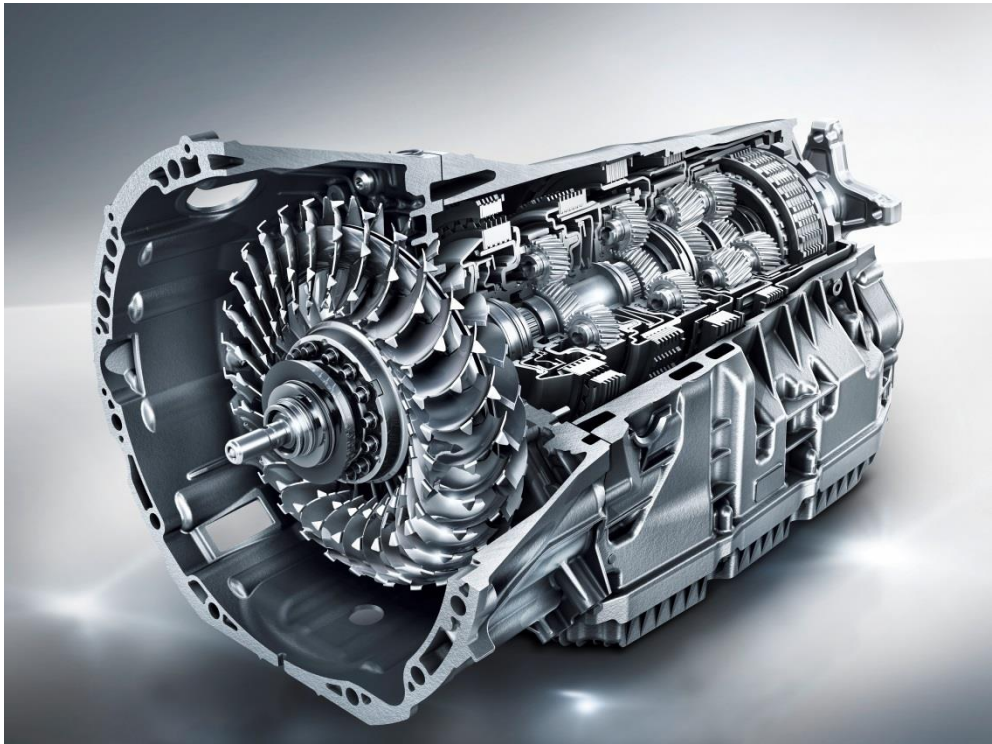
Choice of up to 5 different driving programs:

1. Comfort “C” standard setting: well-balanced and fuel-efficient
2. Eco “E” mode: for keeping fuel consumption as low as possible
3. Sport “S” mode: added agility and dynamism due to direct steering characteristics sporty, taut suspension tuning, spontaneous throttle response and modified shift points
4. Sport+ “S+” mode: even sportier performance, the suspension (in conjunction with AIR BODY CONTROL air suspension) and drive system have an even more dynamic setup
5. Individual mode: individual parameters can be varied as required, using the Controller and the configuration menu in the headunit



## What's new: 421 – 9G-TRONIC Automatic Transmission

*Standard on all E-Class*



9G-TRONIC – faster, smoother, more efficient

Featuring nine forward gears, this automatic transmission takes efficiency, comfort and dynamism to a completely new level. It is the new generation 9-speed automatic transmission with hydrodynamic torque converter in the premium segment. The larger ratio range allows a reduction in engine speed. Performance remains excellent while ride comfort is enhanced and noise levels are reduced. The reduced intervals between the gears lead to faster gear changes and enhanced spontaneity and agility. At the same time, the 9G-TRONIC transmission impresses with smooth, barely perceptible gear shifting like that of a continuously variable transmission. As the 9G-TRONIC transmission is able to skip individual gears, multiple downshifts are possible for fast and powerful sprints.

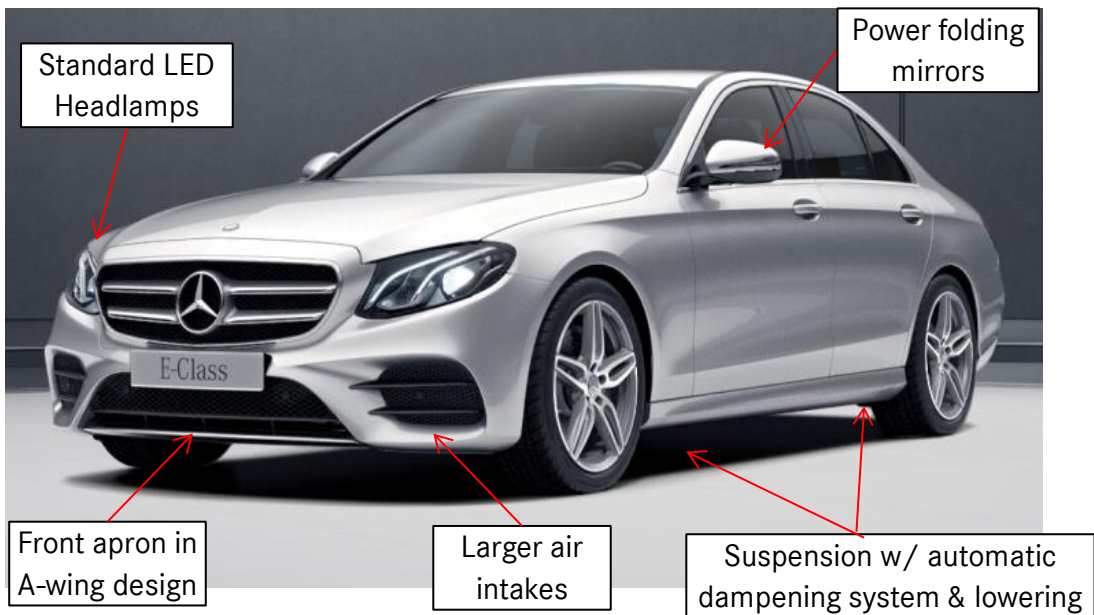


# What's new: Exterior Comparison E-Class MY16 (W212) vs New E-Class MY17 (W213) - Sport

E-Class MY 2016 Exterior



New E-Class MY 2017 Exterior



# What's new: Exterior Comparison E-Class MY16 (W212) vs New E-Class MY17 (W213) - Sport

E-Class MY 2016 Exterior



New E-Class MY 2017 Exterior

Sporty, elegant design with coupe-like elements & broad shouldered tail end

New rear taillamp design with "stardust" effect



Continuous shoulder line for a powerful, stretched body

New rear bumper design

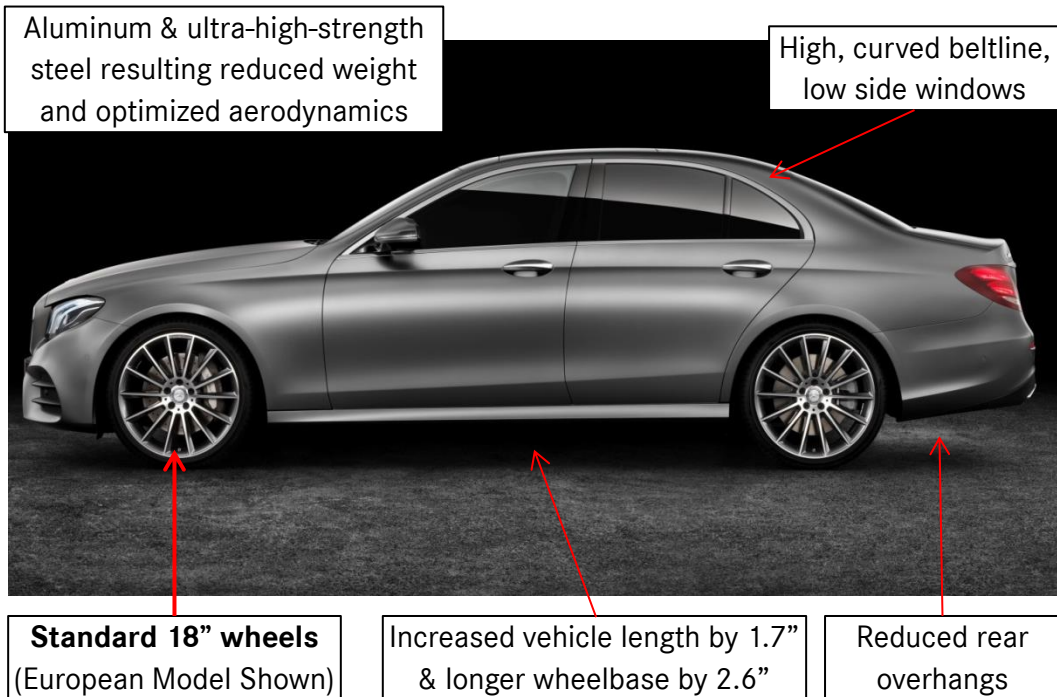


# What's new: Exterior Comparison E-Class MY16 (W212) vs New E-Class MY17 (W213) - Sport

E-Class MY 2016 Exterior



New E-Class MY 2017 Exterior



# What's new: Exterior Comparison E-Class MY16 (W212) vs New E-Class MY17 (W213) - Luxury

E-Class MY 2016 Exterior



New E-Class MY 2017 Exterior



Standard 18" wheels

Redesigned front bumper w/ chrome trim elements



# What's new: Exterior Comparison E-Class MY 16 (W212) vs New E-Class MY 17 (W213) - Luxury

E-Class MY 2016 Exterior



New E-Class MY 2017 Exterior

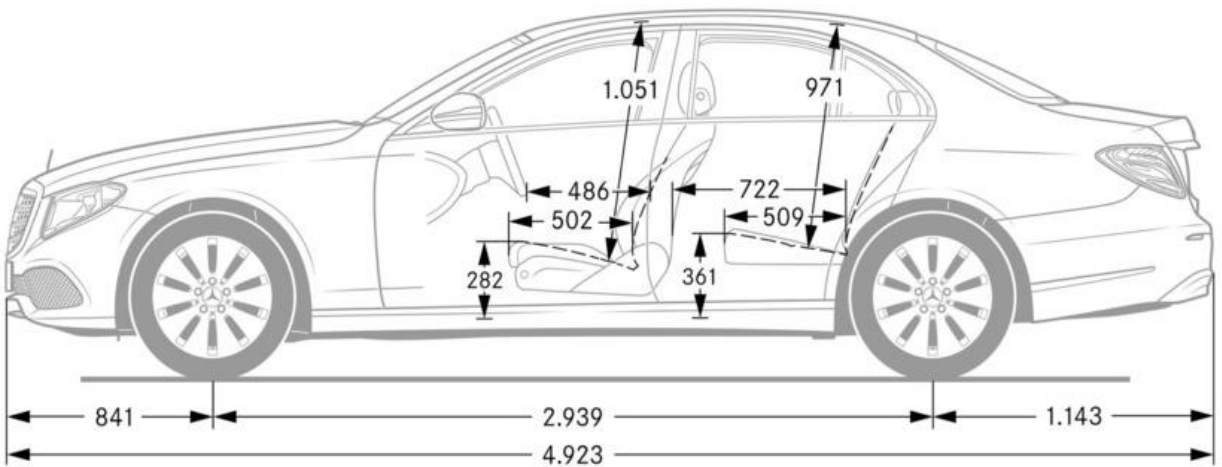
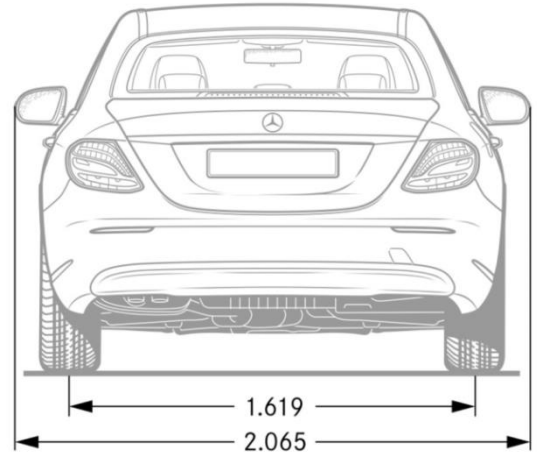
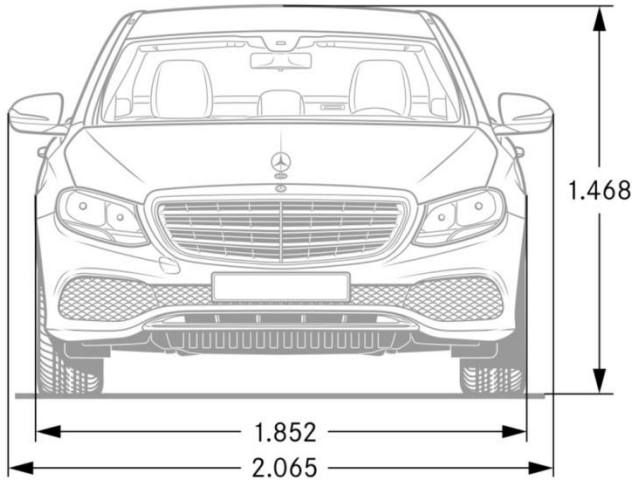


Single-exhaust system with two tailpipe trim elements integrated into the bumper

Suspension w/ selective dampening system



# Specifications\*



MY17 E-Class Sedan

\*Values shown in meter / millimeters



# What's new: Interior Comparison E-Class MY16 (W212) vs New E-Class MY17 (W213)

E-Class MY 2016 Interior



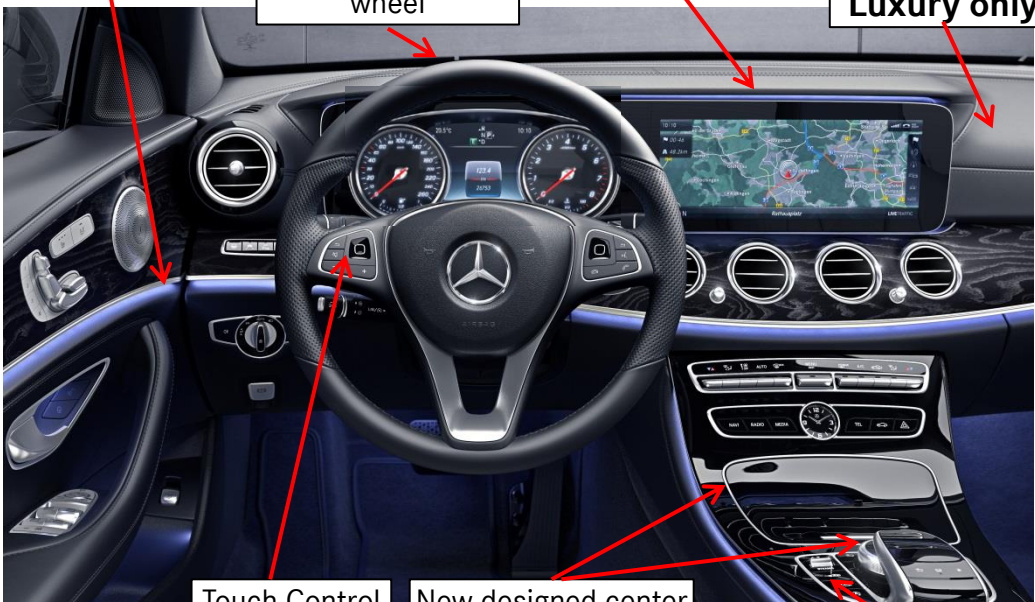
New E-Class MY 2017 Interior\*

Ambient lighting w/ 64 colors

New designed 3-spoke steering wheel

New 12.3" COMAND Screen

Dash w/ MB-Tex & top stitching  
**Luxury only**



Touch Control Buttons

New designed center console w/touchpad

**DYNAMIC SELECT**

\*Sport shown





## Models

	Displacement	Power	Torque	MSRP	Launch
E300 (213.048)	2.0L Inline-4 Turbo Engine	241 @ 5,500	273 @ 1,300- 4,000	\$tbd	Summer 2016
E300 4M (213.049)	2.0L Inline-4 Turbo Engine	241 @ 5,500	273 @ 1,300- 4,000	\$tbd	Summer 2016



## Standard Equipment Highlights

### Performance/Handling

- 9G-TRONIC 9-Speed Automatic Transmission
- 2.0L Inline-4 Turbo Engine (241 hp, 273 lb-ft)
- DYNAMIC SELECT driving programs

### Comfort/Convenience

- Ambient Lighting (64 colors)
- Auto-Dimming Driver-Side and Rearview Mirrors
- Bluetooth® Connectivity
- COMAND Navigation System
- Garage Door Opener
- KEYLESS-START
- LED Headlamps
- Powered Front Seats w/ 3-Position Memory and 4-way Lumbar Support
- Power Folding Mirrors
- Power Tilt/Sliding Sunroof
- SiriusXM Satellite Radio with 6-month Free Trial
- Smartphone Integration with Apple CarPlay® & Android Auto®
- Split Folding Rear Seats (40/20/40)
- Touch Control Buttons on steering wheel
- Touchpad w/Controller
- 12.3" High-Resolution Display
- 5 Years of mbrace® Connect

### Safety/Security

- Active Brake Assist
- ATTENTION ASSIST®
- Car-to-X Communication
- Crosswind Assist
- LED Lights
- PRE-SAFE®
- PRE-SAFE® Sound
- Tire Pressure Monitoring System

# Paints

## Non-metallic Paints



040  
Black



149  
Polar White

## Metallic Paints<sup>1</sup>



197  
Obsidian Black



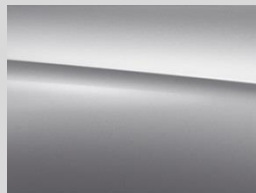
775  
Iridium Silver



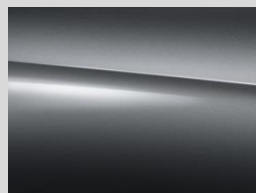
796  
Dakota Brown



890  
Lunar Blue



988  
Diamond Silver



992  
Selenite Grey



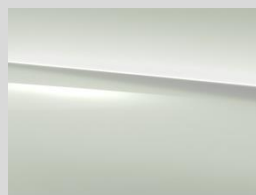
997  
Piedmont Green

## designo Metallic Paints<sup>\*\*</sup>

Metallic paint with high-quality effect pigments and exclusive color shades



297  
Selenite Grey Magno<sup>2</sup>



799  
Diamond White<sup>3</sup>



996  
Cardinal Red<sup>4</sup>

<sup>1</sup>Additional charges: \$tbd

<sup>2</sup>Additional charges: \$tbd

<sup>3</sup>Additional charges: \$tbd

<sup>4</sup>Additional charges: \$tbd



Preliminary pricing  
subject to change

# Upholsteries

## Standard – Sport

MB-  
Tex



121 Black  
*Crystal Grey Headliner*



124 Nut Brown/Black  
*Black Headliner*  
*(image does not reflect black headliner)*



125 Macchiato Beige / Black  
*Beige Headliner*

## Optional - Sport

Leather



201 Black<sup>1</sup>  
*Crystal Grey Headliner*



214 Nut Brown/Black<sup>1</sup>  
*Black Headliner*  
*(image does not reflect black headliner)*



215 Macchiato Beige/Black<sup>1</sup>  
*Beige Headliner*

<sup>1</sup>Additional charge on Sport: \$tbd

51U – Black Headliner  
55U – Beige Headliner  
58U – Crystal Grey Headliner



Preliminary pricing  
subject to change

# Upholsteries

## Standard - Luxury

MB-  
Tex



131 Black  
*Crystal Grey Headliner*



144 Nut Brown/Espresso  
*Beige Headliner*



145 Macchiato Beige /  
Espresso  
*Beige Headliner*

## Optional - Luxury

Nappa  
Leather



801 Black<sup>1</sup>  
*Crystal Grey Headliner*



814 Nut Brown /  
Espresso Brown<sup>1</sup>  
*Beige Headliner*



815 Macchiato Beige/  
Espresso Brown<sup>1</sup>  
*Beige Headliner*

<sup>1</sup>Additional charge on Luxury: \$tbd

51U - Black Headliner

55U - Beige Headliner

58U - Crystal Grey Headliner



# Upholsteries

Optional



*designo*  
Exclusive Nappa Leather



961 + P62 Pkg  
*designo* Black/ Titanium Grey Pearl<sup>1</sup>  
Black *DINAMICA* Headliner  
\$tbd



975 + P87 Pkg  
*designo* Macchiato Beige/Saddle Brown<sup>1</sup>  
Macchiato Beige *DINAMICA* Headliner  
\$tbd

<sup>1</sup>Requires P02 / P03 Premium Package



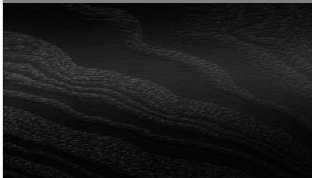
## Trims

### H09 – Natural Grain Brown Ash Wood



Standard on Sport  
N/C on Luxury

### 736 – Natural Grain Black Ash Wood



Optional on all models  
N/C

### H06 – Brown Ash Wood

new



Optional on all models  
N/C

### 731 – Burl Walnut Wood



Standard on Luxury  
N/C on Sport

### H16 – *designo* Black Piano Lacquer Flowing Lines Wood

new



Optional on all models  
\$tbd

### H26 – *designo* Magnolia Flowing Lines Wood

new



Optional on all models  
\$tbd

## Trims

### 739 – Aluminum (SPC)



Optional on all models  
N/C



# Wheels

## Standard

## Optional

E300/ 4M  
Sport model



new

**R31** – 5-spoke  
R02 & R66  
**18"**



new

**RQR** –AMG 5-spoke  
R02 & R66  
**18"**  
(only i.c.w. Sport wheel pkg)



new

**RTK** – AMG 5-twin-spoke  
R02 & R66  
**19"**  
(only i.c.w. Sport wheel pkg)

E300/ 4M  
Luxury model



new

**R54** – 5-twin-spoke  
R02 & R66  
**18"**



new

**R07** – 5-twin-spoke  
R02 & R66  
**17"** (no-cost option)



## Visual Equipment Differentiation

### Headlights

#### LED Headlamps (Standard)



- All functions feature LED technology
- Excellent illumination of the road
- Integrated LED daytime running lamps with fiber optic effect
- Projector LED low-beam and reflective LED high-beam technology
- New LED taillamps featuring 72 LEDs
- Low energy consumption
- Color of emitted light more similar to that of daylight
- Much longer bulb life

#### LED Intelligent Headlamps (Included in P02 Premium Package)



All functions of the standard LED headlamps plus:

- Automatic high-beam control by Adaptive Highbeam Assist
- Automatic adaptation of headlamps to weather, lighting and driving conditions for ideal visibility in every situation
- Automatically activated cornering lights
- Active light function for significantly better illumination in bends
- Distinctive look during day and night



Preliminary pricing  
subject to change

## Visual Equipment Differentiation

### Steering Wheels

#### L3C - Standard – 3-spoke Multifunction Steering Wheel



- Standard on all models
- The all new 3-spoke steering wheel in nappa leather comes with unique Touch Control Buttons in the control panels on the left and right. The steering wheel is embossed in the center grip area.

#### L3D – Wood/leather Steering Wheel (requires 731)

\$tbd



- Optional on all models
- The combination of high-quality leather in the grip area and fine wood inserts at the top and bottom make this steering wheel a visual and tactical highlight.
- Only available with Burl Walnut Wood (731). N/A with heated steering wheel (443).

#### 443 – Heated Steering Wheel

\$tbd



- Optional on all models
- On cold days, heating of the steering wheel rim very rapidly ensures cozy temperatures of the grip area and thus also warm hands. The switch for turning the heating on and off is positioned right next to the steering wheel.
- N/A with Wood/leather steering wheel (L3D).

## Option Packages

Preliminary pricing  
subject to change

### P01 – Premium 1 Package

\$tbd

- 218 – Rearview camera
- 235 – Parking Pilot
- 810 – Burmester® Premium Sound System
- 897 – NFC Wireless Charging
- P17 – KEYLESS-GO Comfort Pkg code
  - 871 – Hands-Free-Access
  - 881 – Electric Trunk Closer
  - 889 – KEYLESS-GO
- 234 – Blind Spot Assist
- 873 – Heated Front Seats

### P02 – Premium 2 Package

\$tbd

*Includes all (P01) Premium 1 Package features plus:*

- P35 – Lighting Package code
  - 640 – LED Intelligent Light System
  - 608 – Adaptive Highbeam Assist
- 432 – Active Multicontour Seat Package (Driver/Passenger) code
  - 902 – Heated Front Seats Plus
  - 436 – Comfort Front Head Restraint
- P21 – Air Balance Package
- 540 – Power Rear Window Sunshade

### P03 – Premium 3 Package

*Delayed Availability*

\$tbd

*Includes all (P02) Premium 2 Package features plus:*

- P44 – Parking Assist Package code
  - 501 – Surround View System
- P20 – Driver Assistance Package Plus
- 463 – Head-Up Display

### NEW: Q03 – Premium 3 Package w/o Head-Up Display

\$tbd

*Includes all (P02) Premium 2 Package features plus:*

- P44 – Parking Assist Package code
  - 501 – Surround View System
- P20 – Driver Assistance Package Plus

## Option Packages (continued)

Preliminary pricing  
subject to change

### 167 - Luxury Package

\$tbd

*Delayed availability*

- 485 - Suspension with selective damping system
- Luxury 3-Lamella Chrome Grille with 'standing star'
- U09 - Dash with MB-TeX and top-stitching
- Wheel choice of:
  - R54 - 18" 5-twin-spoke Wheel, All-Season, Run-Flats
  - R07 - 17" 5-twin-spoke Wheel (no-cost), All-Season, Run-Flats

### 322 - Sport wheel package (only i.c.w Sport)

\$tbd

- U29 - Perforated front brake discs & front brake calipers w/ 'MB' lettering
- 51U - Black headliner
- Wheel choice of:
  - RQR - 18" AMG Wheel, All-Season, Run-Flats
  - RTK - 19" AMG Wheel, All-Season, Run-Flats (+\$500)

### 445 - Warmth and Comfort Package

\$tbd

- 902 - Heated Front Seats Plus
- 906 - Heated Armrest and Upper Door Trim
- 443 - Heated Steering Wheel
- 431 - Galvanized Shift Paddles

## Option Packages (continued)

Preliminary pricing  
subject to change



**P62 - *designo* Titanium Grey Pearl / Black Nappa Leather**

**\$tbd**

- U38 - Dashboard in Nappa Leather
- U04 - *designo* floor mats
- 61U - *designo* Black DINAMICA Headliner<sup>1</sup>
- P62 - *designo* Package code

Available with all trim choices, requires 961 upholstery code

<sup>1</sup>Requires P02 or P03 Premium Package



**P87 - *designo* Macchiato Beige / Saddle Brown Nappa Leather**

**\$tbd**

- U38 - Dashboard in Nappa Leather
- U04 - *designo* floor mats
- 65U - *designo* Macchiato Beige DINAMICA Headliner<sup>1</sup>
- P87 - *designo* Package code

Available with all trim choices, requires 975 upholstery code

<sup>1</sup>Requires P02 or P03 Premium Package



## Stand-Alone Options/Special Orders/ Accessories

Preliminary pricing  
subject to change

### Stand-Alone Options

218+235	Rearview Camera + Parking Pilot	\$tbd
2xx	Leather upholstery <i>Available w/ Sport only</i>	\$tbd
325	Rear Safety Package <i>Incl. rear safety package code (P36), rear-side airbags (293) &amp; rear seatbelt airbags (306)</i>	\$tbd
401	Heated and Ventilated Front Seats <i>Requires leather (2xx)/ nappa leather (8xx) upholstery Not available with heated front seats (873)</i>	\$tbd
413	Panorama Roof <i>Standard power tilt/ sliding sunroof (414)</i>	\$tbd
443	Heated steering wheel	\$tbd
464	12.3" Widescreen Instrument Cluster <i>Requires P03 Package</i>	\$tbd
489	AIR BODY CONTROL air suspension	\$tbd
8xx	Nappa leather upholstery <i>Available w/ Luxury (167) only</i>	\$tbd
873	Heated front seats <i>Not available with 401, P02/P03 Package or 445 Package</i>	\$tbd
L3D	Wood/leather steering wheel <i>Requires burl walnut wood (731). N/A with 445 Package or heated steering wheel (443)</i>	\$tbd
U80	115V AC power outlet	\$tbd
PAF	Acoustic - Comfort Package <i>Includes Code 596</i>	\$tbd

## Stand-Alone Options/Special Orders/ Accessories

Preliminary pricing  
subject to change

### Special Order Options (additional charge of \$250)

313	Rear Door Roller Blinds <i>Includes Code P09 Package</i>	\$tbd
872	Heated Rear Seats <i>Requires one of the following heated front seat options: 873, P01, P02, P03 or 401 and leather (2xx) or nappa leather (8xx) upholstery</i>	\$tbd

### MB Accessories Program

00A	Illuminated Star <i>Not available w/ P03 Premium Package or 167 Luxury Package</i>	\$tbd
068	Wheel Locks	\$tbd
070	Chrome Door Handle Inserts (Set of 4)	\$tbd
104	Rear Spoiler	\$tbd
129	Accessory Styling Package (Rear & Roof Spoiler) <i>Not available w/ 104</i>	\$tbd
137	Comfort Box	\$tbd



# Specifications

	E300	E300 4MATIC
Engine Configuration	2.0L Inline-4 Turbo	2.0L Inline-4 Turbo
Power (hp)	241	241
Torque (lb-ft)	273	273
Displacement (cc)	1,991	1,991
Acceleration 0-60mph (sec)	6.2 sec (est.)	tbd (est)
Fuel Economy (Cty/Hwy)	tbd	tbd
Top Speed (mph)	130	130
Fuel Requirement (Octane)	91	91
# Valves per cylinder	4	4
Compression	9.8:1	9.8:1
Transmission	9G-TRONIC Auto.	9G-TRONIC Auto.
Transmission Speeds	9	9
Drive Configuration	Rear-Wheel Drive	All-Wheel Drive
Standard Front Wheel (Sport)	8 J x 18	8 J x 18
Standard Rear Wheel (Sport)	8 J x 18	8 J x 18
Standard Front Tire Size (Sport)	245/45 R18	245/45 R18
Standard Rear Tire Size (Sport)	245/45 R18	245/45 R18
Standard Tire Type	All Season	All Season
Fuel Tank Size (gallons)	17.4	17.4
Trunk Size (cubic feet)	13.1	13.1
Curb Weight (lbs)	tbd	tbd
Vehicle Length (in.)	193.82	193.82
Vehicle Width (in.)	81.30	81.30
Vehicle Height (in.)	57.80	57.80
Wheelbase	115.7	115.7
Track Width Front/Rear (in.)	tbd	tbd



## Product Highlights: Active Brake Assist *(Formerly CPA PLUS)*

Standard on all models

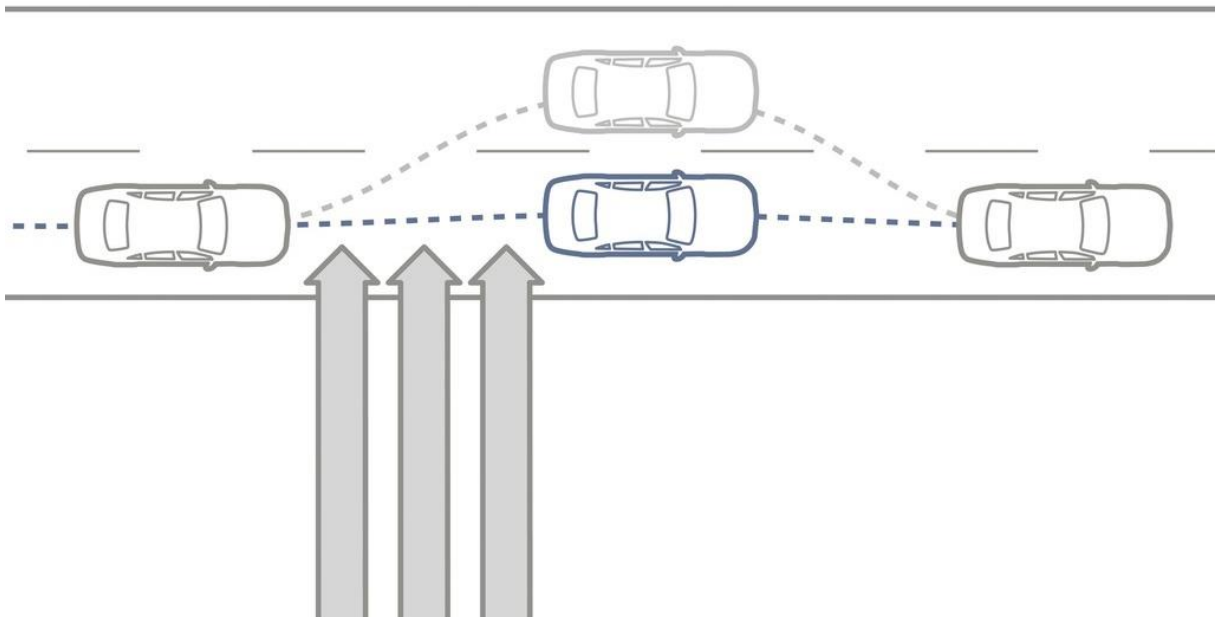


- Radar-based driving assistance system that can help prevent accidents with vehicles ahead and with crossing pedestrians or mitigate the consequences of accidents
- Combination of proximity warning, collision warning, on-demand braking assistance and autonomous braking function
- Additional audible warning if the distance diminishes rapidly
- If the driver initiates emergency braking – if necessary – increase in braking pressure by the on-demand braking assistance
- Initiation of autonomous braking if the driver fails to react
- Visual and audible warning plus almost simultaneous emergency braking if an impending collision with a **crossing pedestrian** is detected



## Product Highlights: Crosswind Assist

Standard on all models

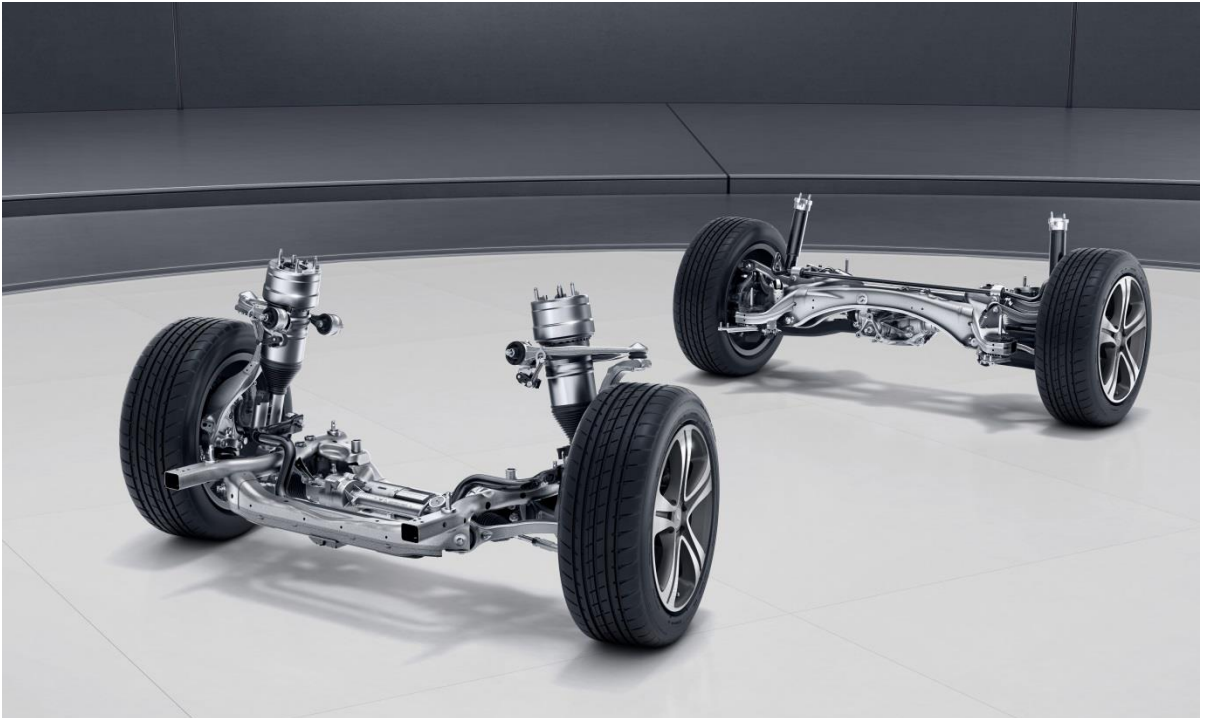


- Traditionally, strong gusts of wind may lead to sudden lateral drift of the vehicle
- Crosswind Assist aids the driver by reducing the vehicle's lateral drift substantially in windy driving conditions
- Crosswind Assist is integrated into the ESP® sensor system and enables the timely detection of gusts of crosswind
- Automatic brake intervention on the wheels on the side of the vehicle facing the wind results in a motion which counteracts the crosswind
- Crosswind Assist substantially enhances the driver's sense of control, stability and safety



## Product Highlights: AIR BODY CONTROL

Optional on all models



- Multi-chamber air suspension combined with continuously adjustable damping to improve ride comfort and driving dynamics
- Vehicle characteristics can be varied from comfortable through to sporty using DYNAMIC SELECT switch
- "Comfort" and "Sport" settings for a more comfortable or stiffer, sportier setup
- Constant vehicle level irrespective of load thanks to pneumatic all-round self-levelling suspension
- Suspension level can be raised for poor surfaces and is automatically lowered at high speeds, helping to reduce aerodynamic drag and further improve handling stability
- It is possible to lower the vehicle level by 1.6 inches to make it easier to load the luggage compartment.

## Product Highlights: Burmester® Premium Sound System

Optional on all models – Included in P01 Premium Package



- 13 high-performance speakers precisely configured for the vehicle interior to ensure well-balanced and very dynamic music reproduction
- 9-channel DSP amplifier with a total output of 590 watts (7 x 50 W and 2 x 120 W) for maximum sound quality with very high volume reserves
- Frontbass® technology with woofers integrated into the dash for vibrant bass reproduction
- Combination of digital and analogue filter elements for the unique Burmester "feel-good sound"
- Sound optimization for the front and rear seats
- Noise compensation (VNC)
- Sound preset: surround function to generate virtual all-round sound
- Support for popular multi-channel formats such as Dolby Digital 5.1/DTS for example, for true surround sound

## Product Highlights: Intelligent Drive - Overview

Optional on all models – Included in P03 Premium Package



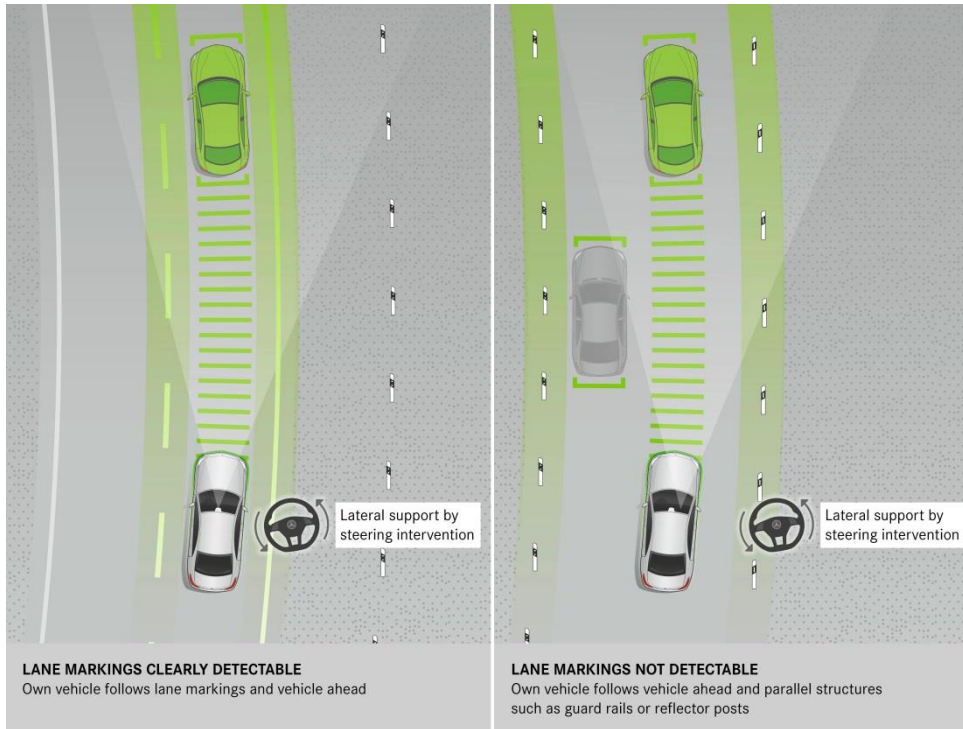
“Intelligent Drive” is a gateway to a more autonomous & accident-free driving which increases safety for all drivers on the road. The following lists all features that are available with the all new E-Class:

- **DRIVE PILOT** (includes Distance Pilot DISTRONIC, Steering Pilot, Active Lane Change Assist, Active Emergency Stop Assist, and Speed Limit Pilot)
- **Active Brake Assist with Cross-Traffic Function**
- **Evasive Steering Assist**
- **PRE-SAFE® PLUS**
- **PRE-SAFE® Impulse Side**
- Active Lane Keeping Assist
- Active Blind Spot Assist

## Product Highlights:

# Intelligent Drive – DRIVE PILOT

Optional on all models – Included in P03 Premium Package

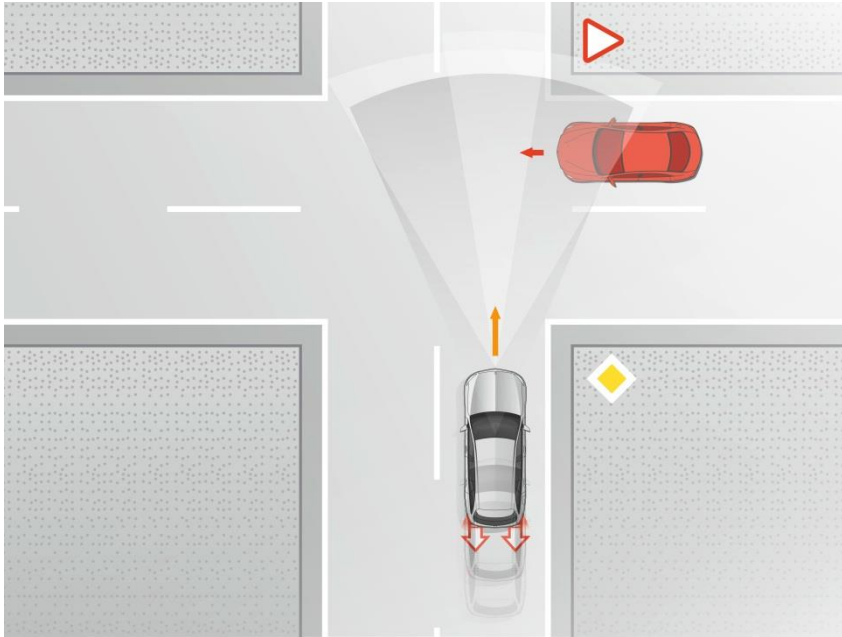


- Steering Pilot generates steering torque which helps the driver to keep the vehicle in the center of its lane (straight roads and slight bends), taking its guidance from vehicles ahead and road lane markings
- Active Lane Change Assist helps the driver with changing lanes by means of steering torque when the driver initiates the change by activating the turn indicator and the system does not detect another vehicle in the adjacent lane
- Extended tolerance for the hands-off warning of Steering Pilot with intelligent hands-on detection
- Active Emergency Stop Assist brakes the vehicle to a controlled stop if the system detects that the driver is permanently distracted or is no longer able to operate the vehicle
- Distance Pilot DISTRONIC maintains the selected distance from the vehicle in front, and works in the speed range from 0 – 130 mph, also reacting to stationary vehicles at low speeds

## Product Highlights:

### Intelligent Drive – Active Brake Assist with Cross-Traffic Function

Optional on all models – Included in P03 Premium Package

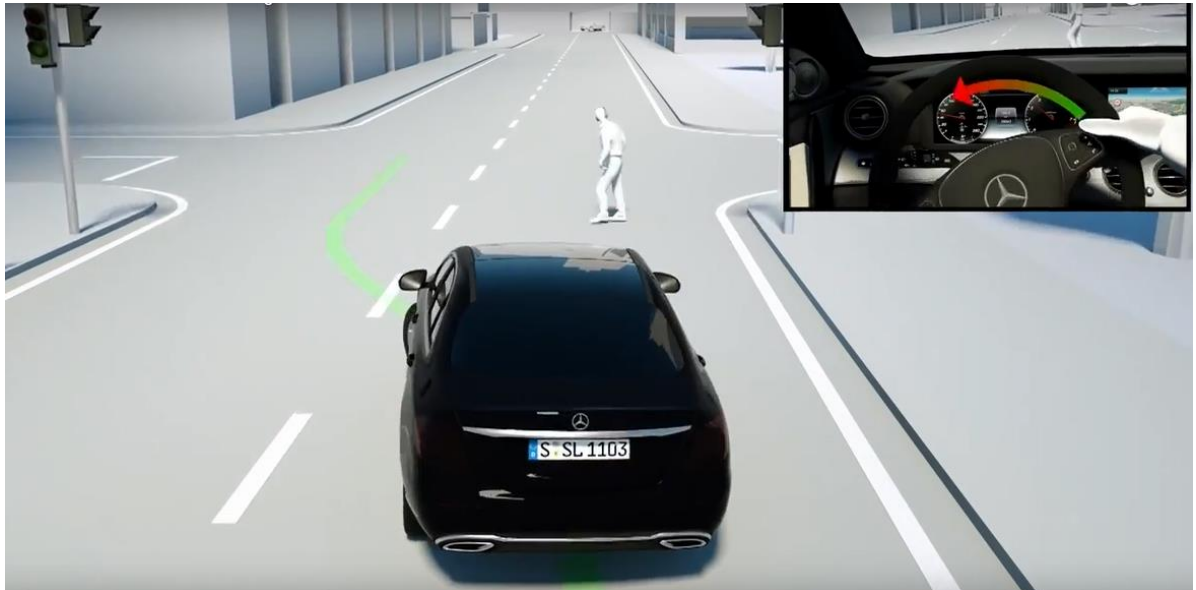


- The system is able to reduce the risk of collisions and accidents at road junctions
- Monitoring of traffic situation ahead of the vehicle by means of radar sensors and stereo multipurpose cameras
- Vehicles travelling ahead are detected up to a speed of 130 mph
- Crossing traffic and bicyclists are registered up to a speed of 45 mph, as well as pedestrians who are stationary or moving slowly in the path of the vehicle
- When danger of a collision is detected, the system gives a visual and audible warning and brakes
- If the driver firmly applies the brakes, the system calculates the brake pressure that would be needed to prevent a collision
- If a collision cannot be prevented, the impact speed is reduced as much as possible by emergency braking



## Product Highlights: Intelligent Drive – Evasive Steering Assist

Optional on all models – Included in P03 Premium Package

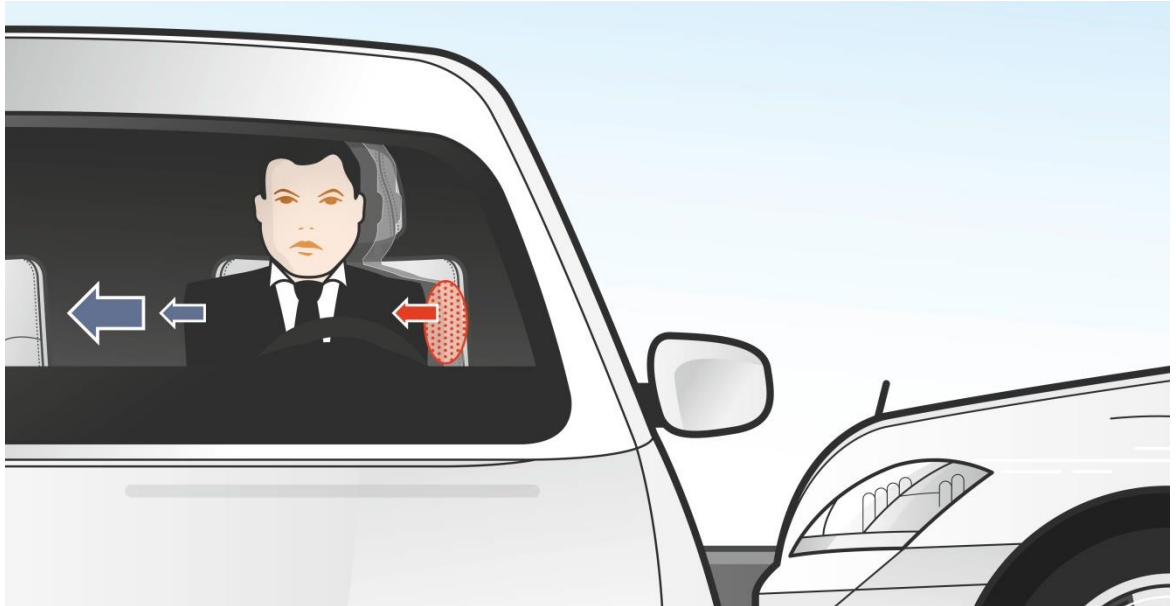


- When the driver deliberately or instinctively performs an evasive maneuver in a dangerous situation (pedestrian crossing the street), Evasive Steering Assist provides assistance by adding precisely calculated steering torque to support the movement of the steering wheel
- This helps the driver to avoid a pedestrian in a controlled manner while subsequently facilitating the movement of the vehicle to allow the situation be negotiated safely

## Product Highlights:

### Intelligent Drive – PRE-SAFE® Impulse Side

Optional on all models – Included in P03 Premium Package



- PRE-SAFE® Impulse Side initiates preventative protective measures against an impending side impact, supplementing the measures taken by PRE-SAFE® and PRE-SAFE® PLUS
- In the event of a side impact, PRE-SAFE® Impulse Side can have a positive effect by increasing the distance between the occupant and the door, and at the same time reducing the relative speeds between the side structure and the occupant's torso
- In the event of a recognized, unavoidable side collision, the system can give the driver or front passenger a slight push towards the center of the vehicle on the side facing the impact
- This lateral impulse is initiated by very rapid inflation of an air chamber in the seat bolster

## Competitive advantages of the E-Class Sedan

### BMW 528i



- New E-Class has:
- Std. 18" wheels (vs. std 17" wheels)
- 9G-TRONIC transmission (vs. 8-speed auto)
- 12.3-inch display (vs 10.2-inch)
- Touch Control Buttons on steering wheel
- Power adjust. Front seats w/ lumbar support and 3-position memory for driver/pass. (vs. driver only)
- LED Headlamps (vs Bi-Xenon)
- Apple CarPlay® & Android Auto®
- PRE-SAFE® incl. PRE-SAFE® Sound
- Car-to-X Communication

### Audi A6 2.0 liter



- New E-Class has:
- Std. 18" wheels
- 9G-TRONIC transmission (vs. 7 or 8-speed auto)
- 12.3-inch display (vs std 6.5-inch or optional 8-inch)
- Touch Control Buttons on steering wheel
- Power adjust. Front seats w/ lumbar support and 3-position memory for driver/pass. (vs. driver only)
- LED Headlamps (vs Bi-Xenon)
- Apple CarPlay® & Android Auto®
- PRE-SAFE® incl. PRE-SAFE® Sound
- Car-to-X Communication

### Lexus GS



- New E-Class has:
- Std. 18" wheels
- 9G-TRONIC transmission (vs. 8-speed auto)
- 12.3-inch display (vs 6.5-inch)
- Touch Control Buttons on steering wheel
- LED Headlamps
- Apple CarPlay® & Android Auto®
- PRE-SAFE® incl. PRE-SAFE® Sound
- Car-to-X Communication



# Gallery

## New Standard Key Design



## Standard KEYLESS-START



# Gallery

*designo* Black/Titanium Grey Peal (P62)



*designo* Macchiato Beige / Saddle Brown (P87)



# Gallery

Ambient Lighting w/ 64 colors (877)



Ambient Lighting w/ 64 colors (877)



# Gallery

Optional Panorama roof (413)



Optional Wood/leather steering wheel (L3D)

